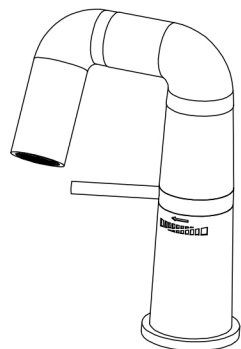
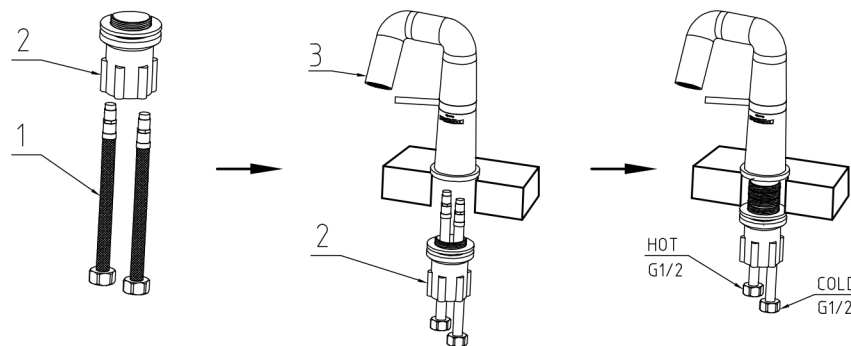


# Installation Instructions and Precautions



## Installation Steps

1. Let flexible hoses ( 1 ) pass through Nut ( 2 )
2. Put tap on the hole of basin, connect Red & Blue flexible hoses ( 1 ) to the tap under the basin
3. Tighten screw Nut ( 2 ) , tap no shake
4. Connect red flexible hose to hot water supply, and connect blue one to cold water supply



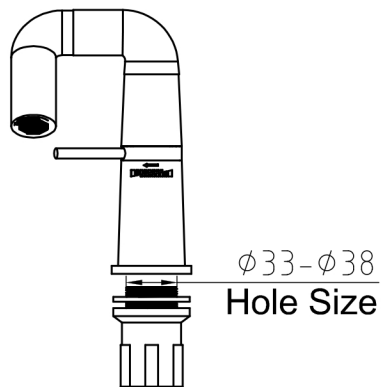
## Precautions

1. Flush the impurities in the water supply pipeline
2. Check the water supply pipes for damage
3. Working pressure 0.05-1.0Mpa
4. Water temperature 0-90°C, suggest water temperature 0-65°C

## Components List

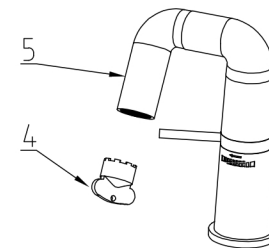
1. Red & Blue flexible hoses ( 2pcs )
2. Plastic Nut
3. Basin Mixer Tap
4. Aerator Wrench

## Installation Hole



## Installation inspection

1. Turn on water supply, check each connector has no leaking
2. Use Wrench ( 4 ) to disassemble Aerator ( 5 ) , turn on the tap and allow the water to flow for a minute, flush the impurities in the water supply pipeline, then turn off the tap and assemble back aerator.



## Aftercare Instruction

Clean this item with a soft cloth or sponge. The use of any abrasive cleanser may have chemical reaction with the surface and will invalidate the guarantee.