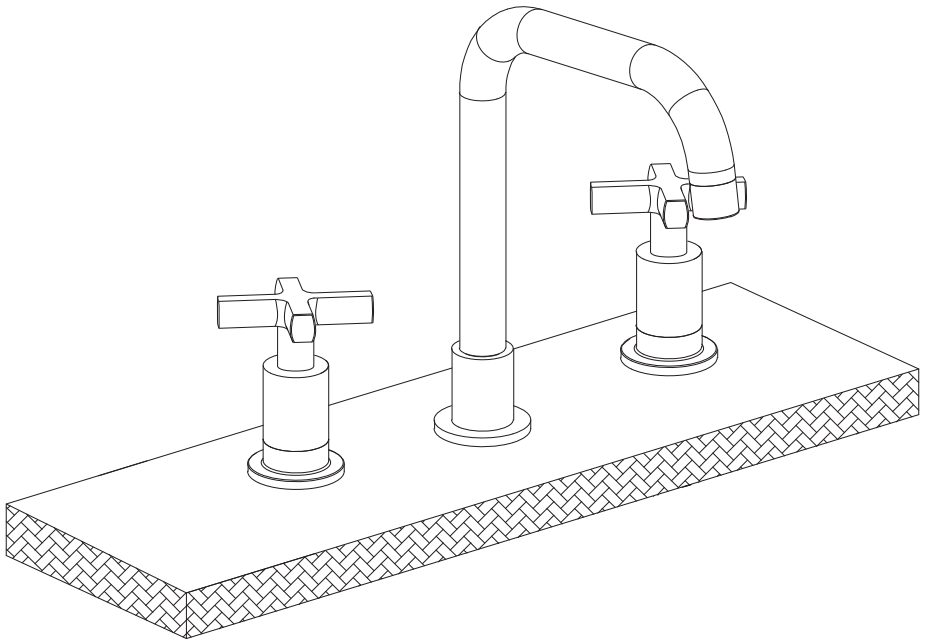


AREZZO

Deck Mounted Basin/Bath Mixer with Cross Head Handle

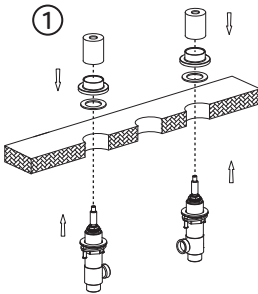


Fitting Instructions

Please follow them carefully and
leave this manual with end user

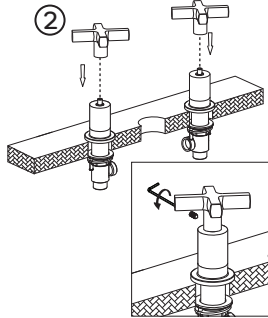
Before you begin:

1. **We recommend that this product is installed by a qualified tradesperson.** Victorian Plumbing Ltd. accept no liability for products incorrectly installed, or where the correct testing procedures have not been adhered to, thus resulting in the escape of water and consequential damage.
2. Ensure the supply pipes have been thoroughly flushed to remove any debris.
3. Ensure the incoming mains water supply is switched off prior to commencing the installation.
4. Observe all local plumbing and building codes & regulations.
5. Unpack the product then read these instructions before proceeding. Inspect the product for damage. If any damage is found, contact our Customer Relations team.



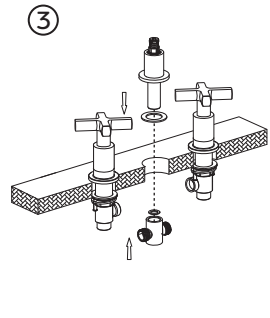
Insert the hot & cold 'Side Valves', 'Rubber Seals' and 'Back Nuts' to the underside of the bath/basin holes. Secure the valves into place by tightening the 'Back Nuts':

Place the 'Rubber Seals', 'Cover Plates' and 'Handle Sleeves' over the 'Side Valves' at the top of the bath/basin.



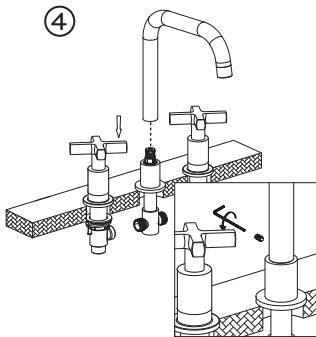
Place the 'Control Handles' over the hot & cold 'Side Valves':

Using the 'Grub Screws' provided secure the handles to the valve by screwing into the hot & cold 'Side Valves':

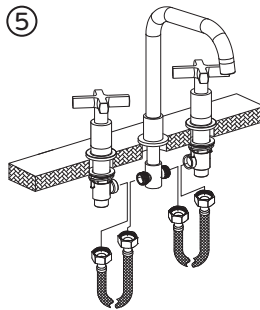


Feed the 'Mixer' and 'Rubber Seal' through the bath/basin hole at the top.

Place the 'Washer' over the 'Diverter' then feed the 'Diverter' over the tail of the 'Mixer' and tighten to secure into place.

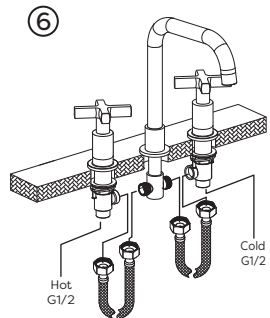


Place the spout over the 'Mixer', Using the 'Grub Screw' provided, secure the 'Spout' to the 'Mixer' by screwing into the 'Mixer':



Connect the 'Flexi-Pipes' from the hot & cold 'Side Valves' to the 'Diverter':

Tighten the connections with an adjustable wrench to ensure a water tight seal.

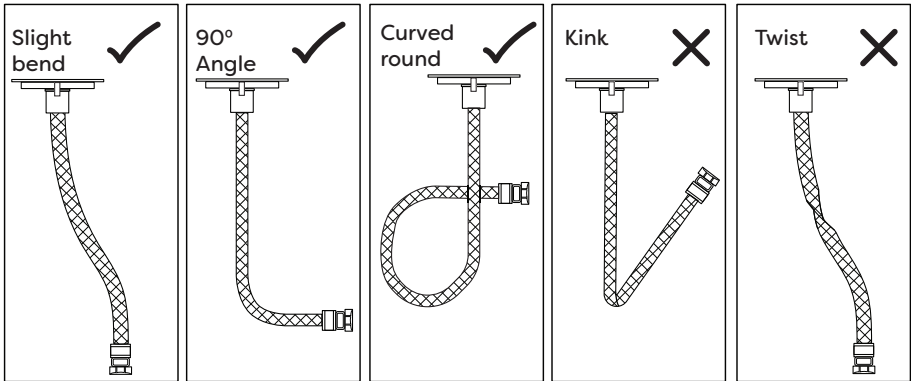


Connect the hot & cold water supply to the valves. Turn on the water supply and check all joints and connections for any leaks.

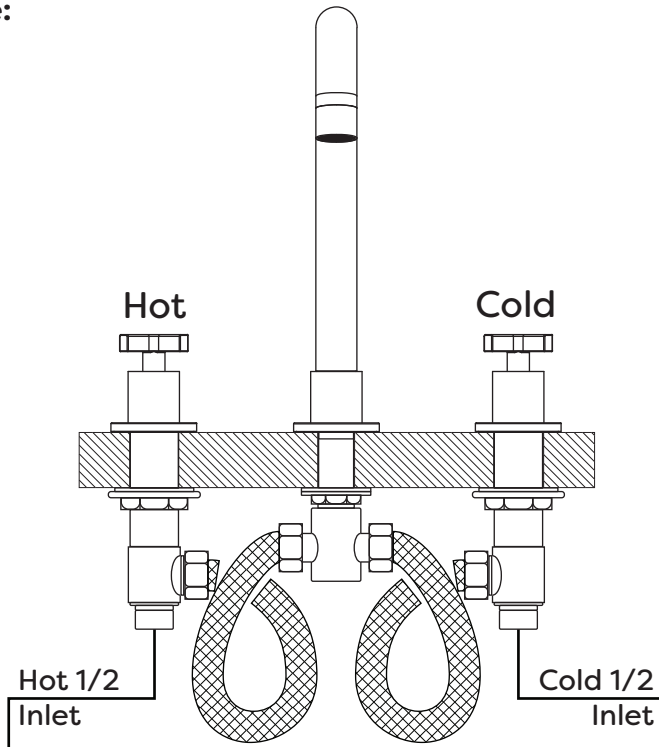
Note: Diagrams are for illustration purposes only. Your tap may superficially differ from this drawing however the installation guide steps still apply.

Flexible Connecting Pipes:

When installing the flexi-pipes to the household pipework. Special care must be taken to ensure they do not bend sharply causing a kink or twist. Failure to do so may result in poor performance and damage to the flexi-pipes.



Example:



Once all pipes are securely connected; turn on the mains water supply, run the taps, and check all joints/connections for any leaks.

Troubleshooting

FAULT	POSSIBLE CAUSE
Taps do not turn on	<ul style="list-style-type: none">• Closed isolation valve.• Mains water supply turned off.
Water dripping from taps	<ul style="list-style-type: none">• This is normal for a short time after using the taps.• If water continues to drip, possible build up of limescale in the cartridge valve.
Low or no flow rate	<ul style="list-style-type: none">• Partially closed isolation valve.• Instantaneous water heater cycles on and off as flow rate pressure is too low.• Head of water is below the minimum distance required.• Hot or cold water being drawn off elsewhere causing pressure changes or instantaneous boiler temperature changes.• Airlock or partial blockage in the supply pipework.

Aftercare:

Always clean the surface of tap to keep it bright. **Attention:** please do not use inappropriate tools such as sharp brushes, rough sponges, scouring pads or corrosive detergent to clean the tap. Please clean the tap by wet cloth and soapy water. Then rinse the soap out with clean water and dry with a soft cotton cloth.

Recycling and Disposal:

Please recycle the packaging in accordance with your local government regulations on waste handling and follow the same advice at the end of the products life.