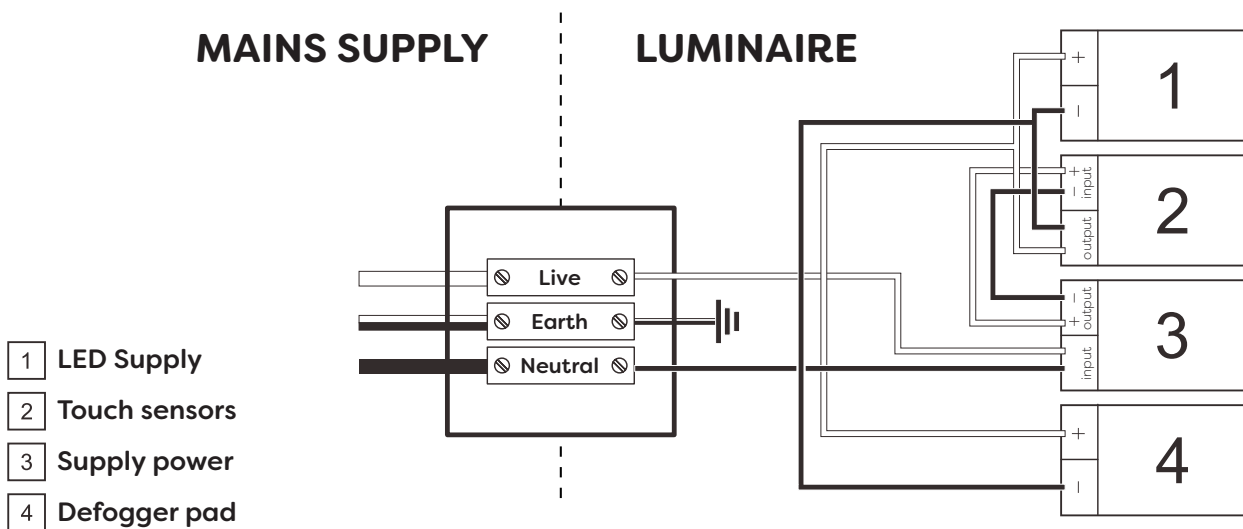


# Technical Details

## Schematic Diagram

**YW-ARZCS86-MB**

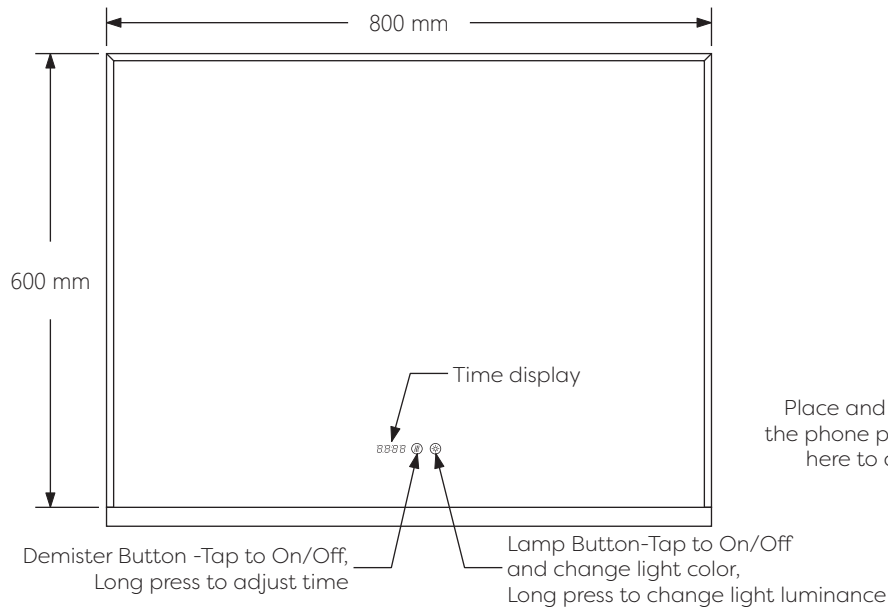


Mirror Weight (kg)	7.50kg
Mirror+Box Weight (kg)	10.00kg
Light Source	LED
Light source average span	50K HOURS
Total Rated Wattage (W)	56W
Lumens (Lm)	2400
Kelvins (K)	3000-6000K

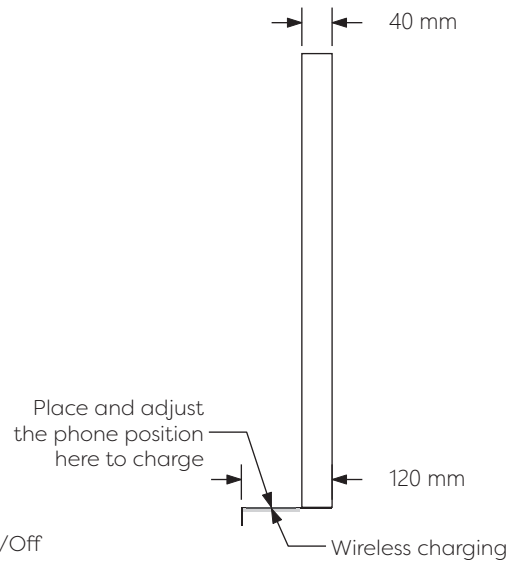
<b>FEATURES</b>
TOUCH SWITCH
DEMISTER
DIMMING
COLOR CHANGE
WIRELESS CHARGING
TIME DISPLAY
BLACK FRAME
METAL SHELF

# Technical Details

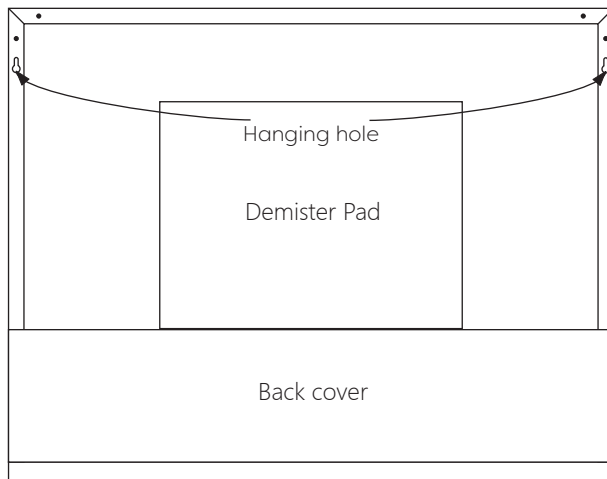
## Data Reference



Front view



Side view



Back view



Bottom view