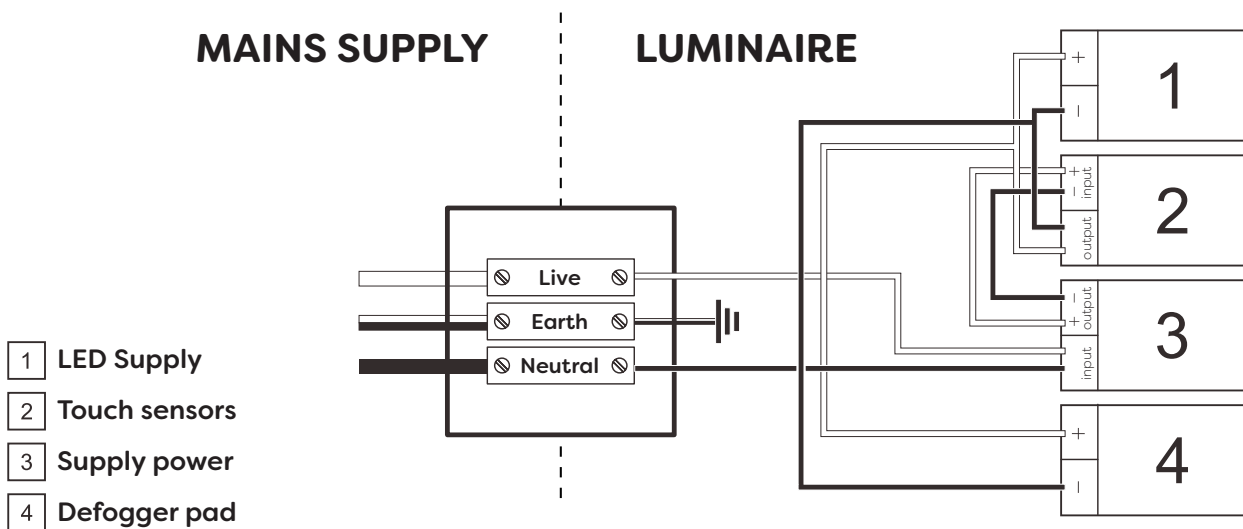


Technical Details

Schematic Diagram

YW-ARZCS86-BB

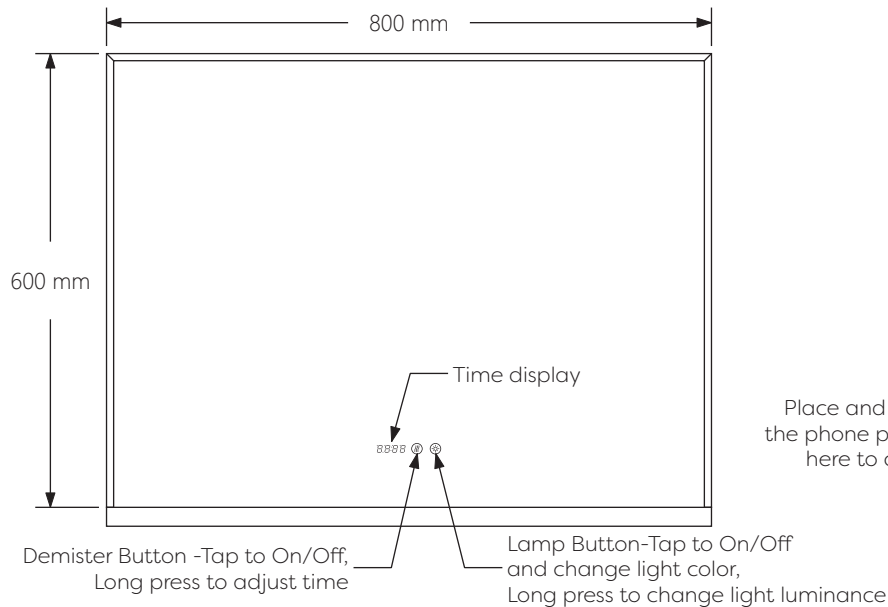


| | |
|---------------------------|------------|
| Mirror Weight (kg) | 7.50kg |
| Mirror+Box Weight (kg) | 10.00kg |
| Light Source | LED |
| Light source average span | 50K HOURS |
| Total Rated Wattage (W) | 56W |
| Lumens (Lm) | 2400 |
| Kelvins (K) | 3000-6000K |

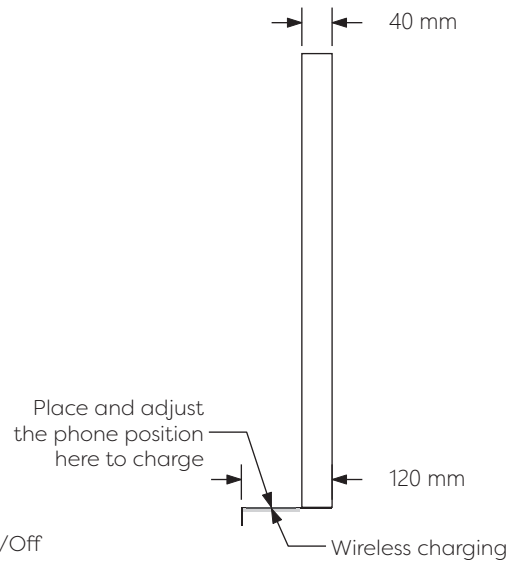
| |
|-------------------|
| FEATURES |
| TOUCH SWITCH |
| DEMISTER |
| DIMMING |
| COLOR CHANGE |
| WIRELESS CHARGING |
| TIME DISPLAY |
| BRASS FRAME |
| METAL SHELF |

Technical Details

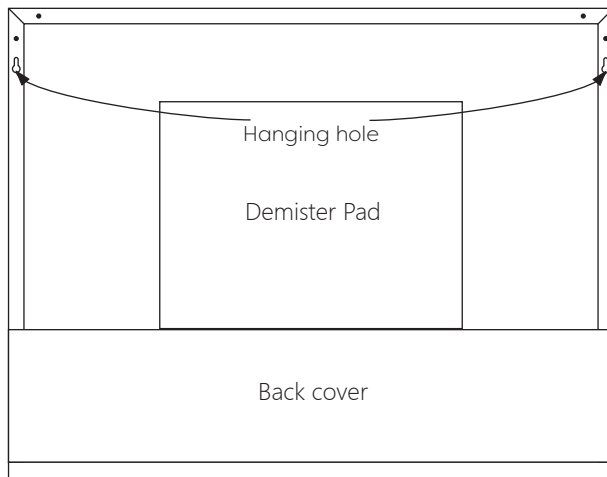
Data Reference



Front view



Side view



Back view



Bottom view