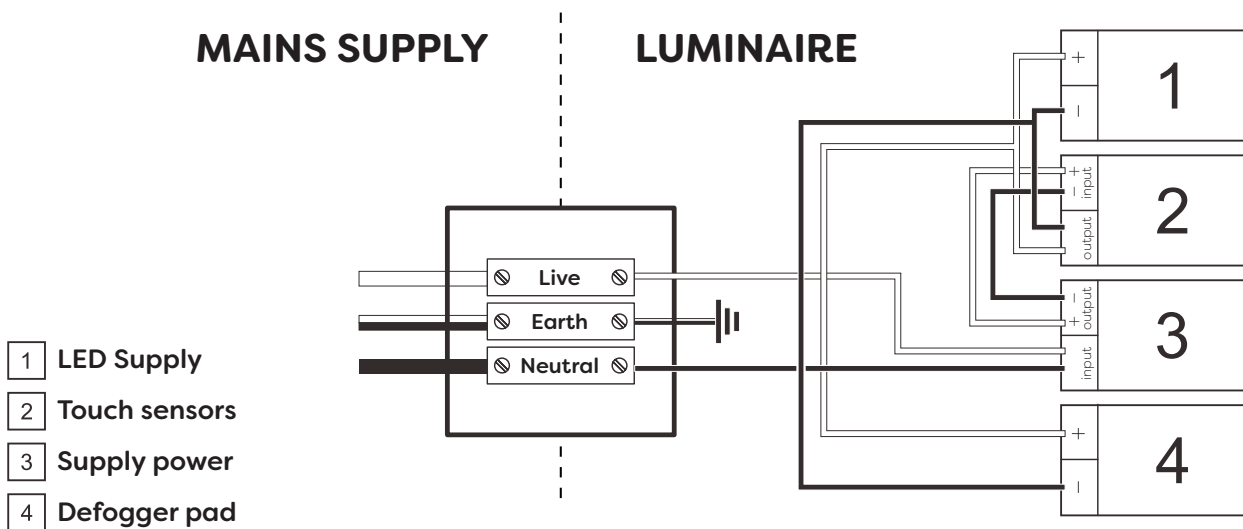


Technical Details

Schematic Diagram

ARZIM08-MB

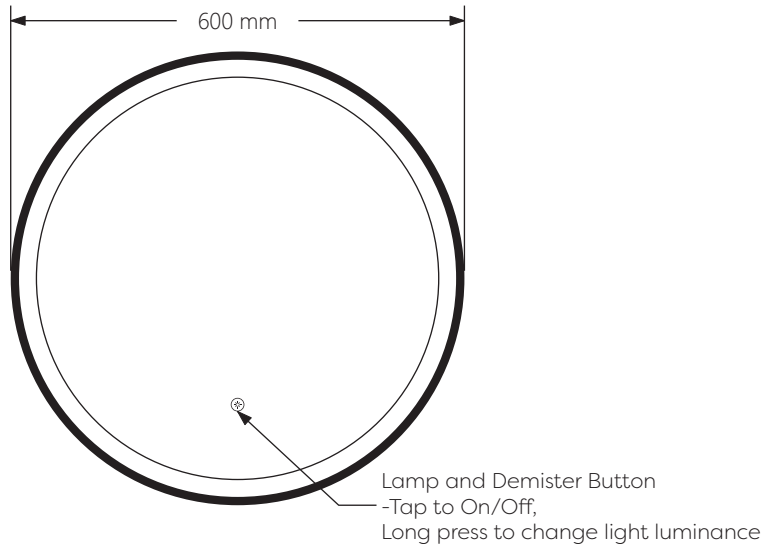


Mirror Weight (kg)	4.30kg
Mirror+Box Weight (kg)	6.05kg
Light Source	LED
Light source average span	50K HOURS
Total Rated Wattage (W)	23W
Lumens (Lm)	1261
Kelvins (K)	6000K

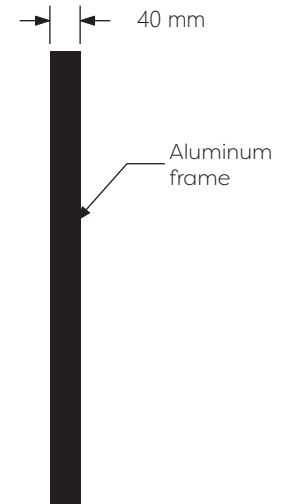
FEATURES
TOUCH SWITCH
DEMISTER
DIMMING
BLACK FRAME

Technical Details

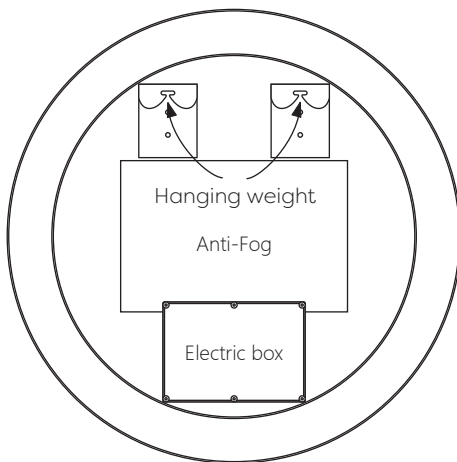
Data Reference



Front view



Side view



Back view



Bottom view