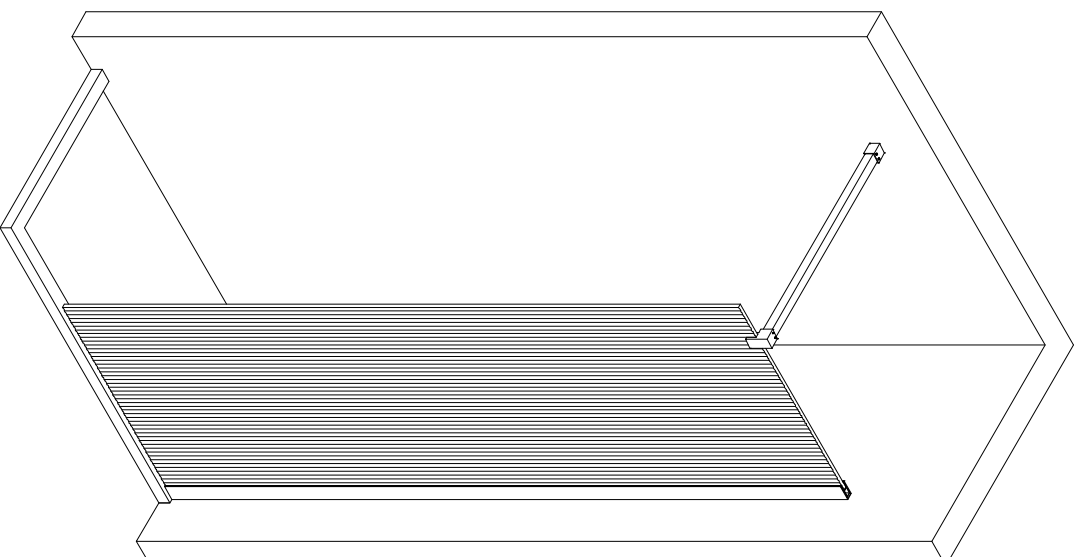
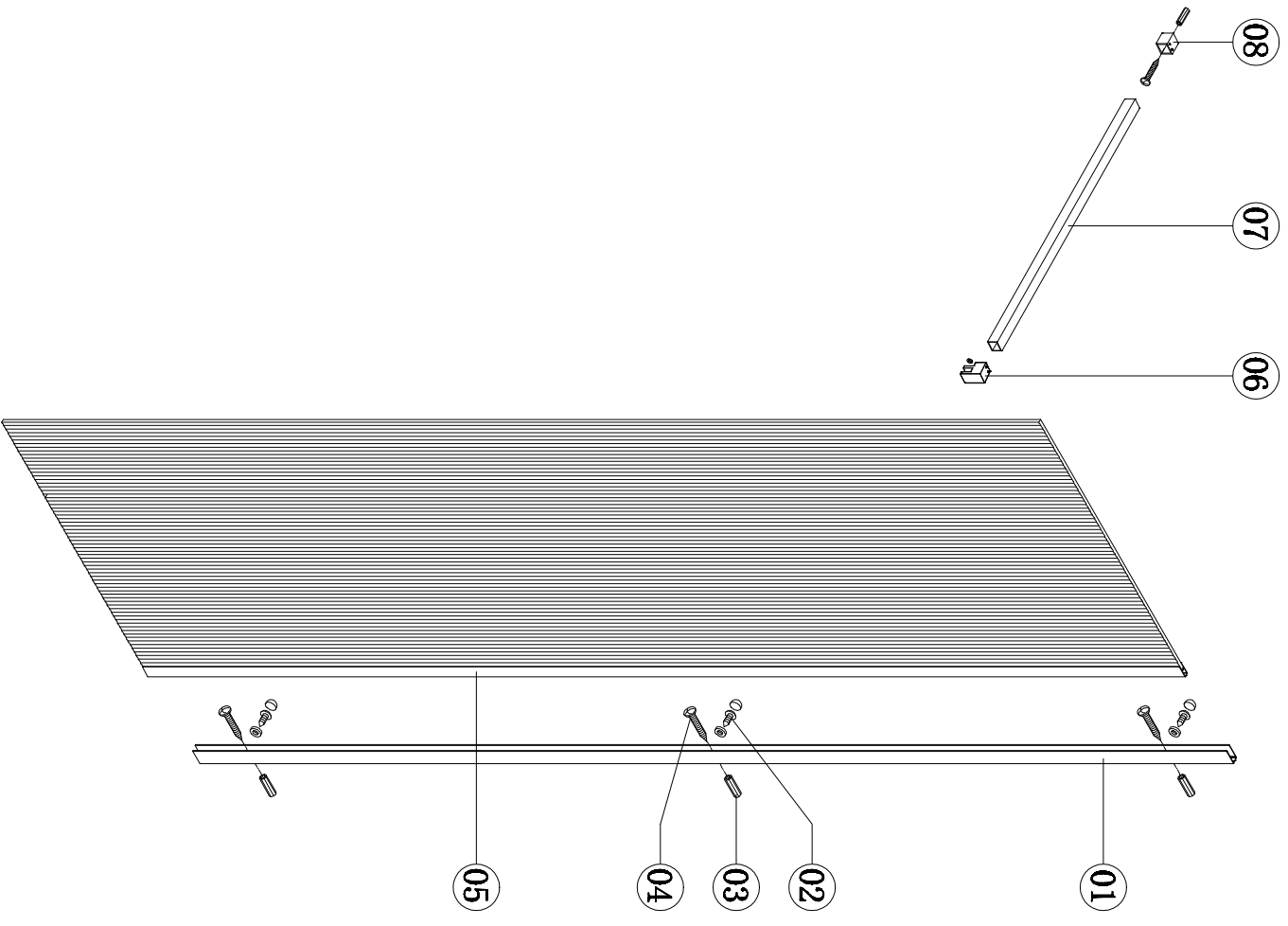
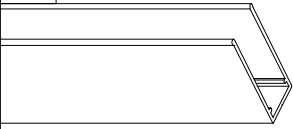
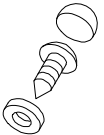
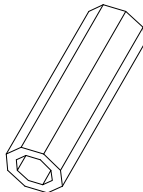
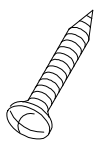
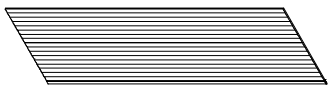
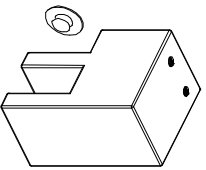
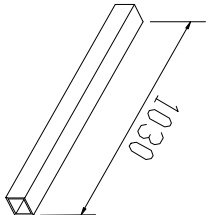
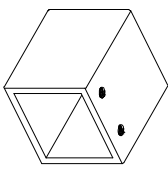
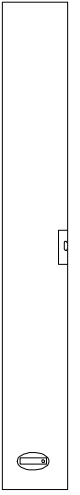
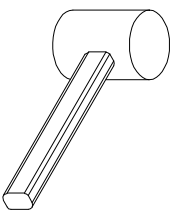
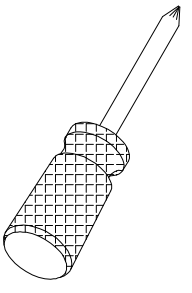
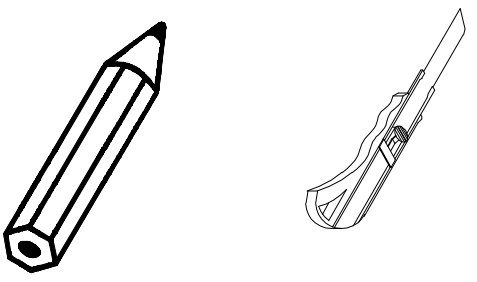


INSTALLATION MANUAL (Chrome)





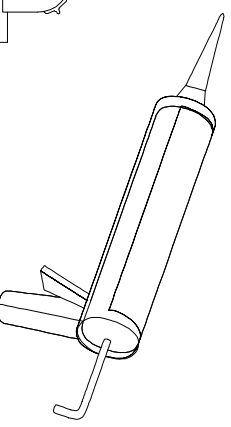
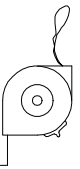
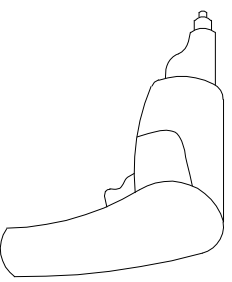
<p>1</p>  <p>CRSF-W01</p>	<p>2</p> <p>ST4X12</p>  <p>ST4X12</p> <p>3PCS</p>	<p>3</p>  <p>D6X30</p> <p>4PCS</p>	<p>4</p> <p>ST4X30</p>  <p>ST4X30</p> <p>4PCS</p>	<p>5</p>  <p>1PC</p>
<p>6</p>  <p>CRSF-X02</p>	<p>7</p>  <p>1PC</p> <p>CRSF-W02</p>	<p>8</p>  <p>CRSF-X01</p> <p>1PC</p>	<p>Tools:</p>	



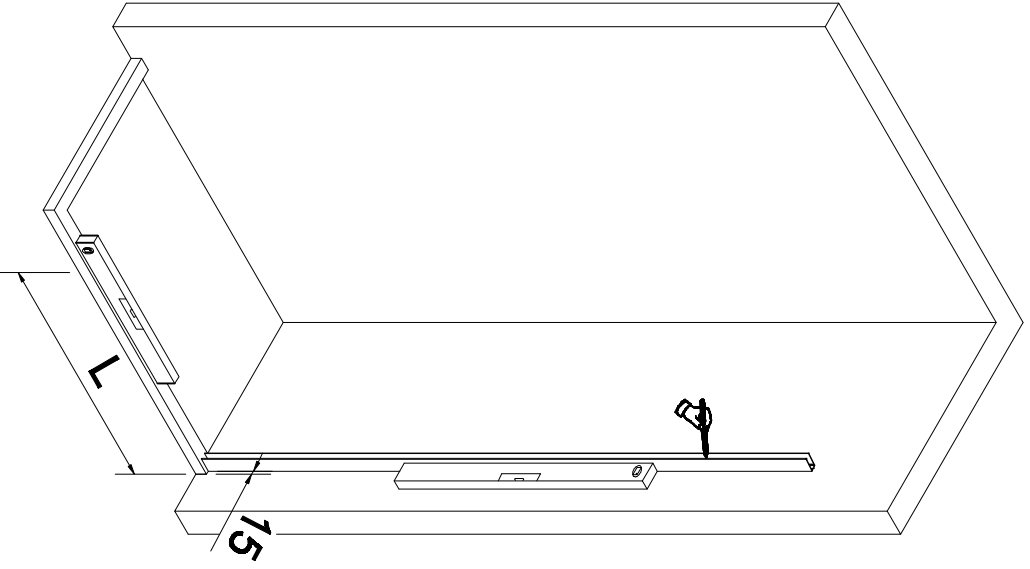
Ø6mm



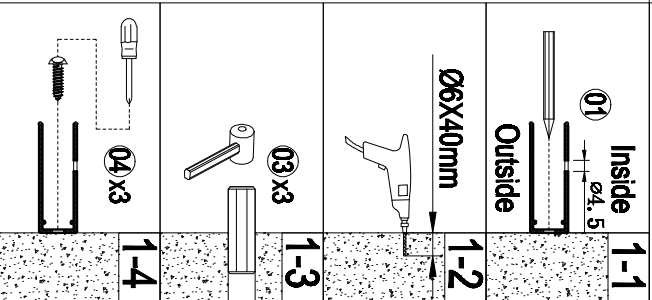
Ø3.2mm



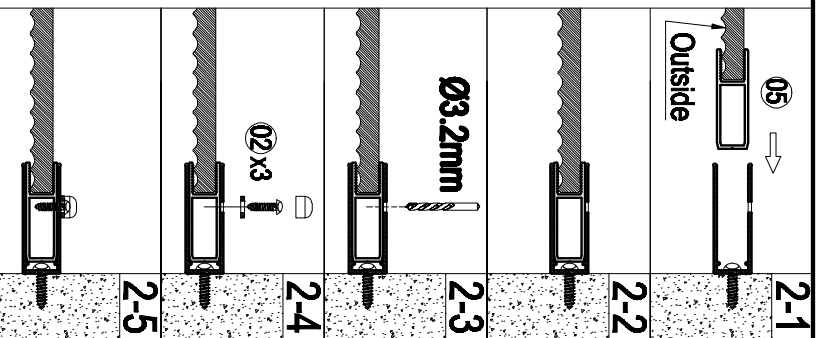
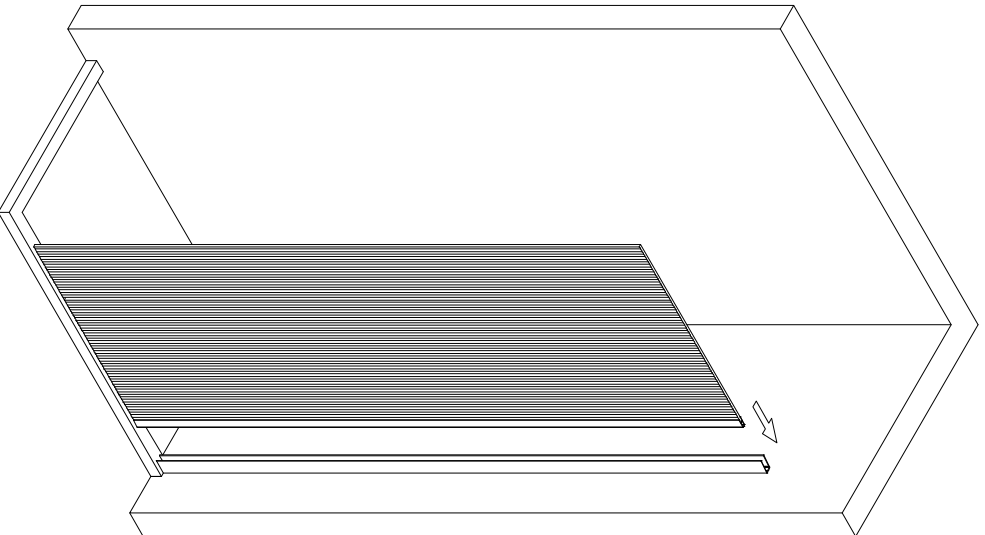
1



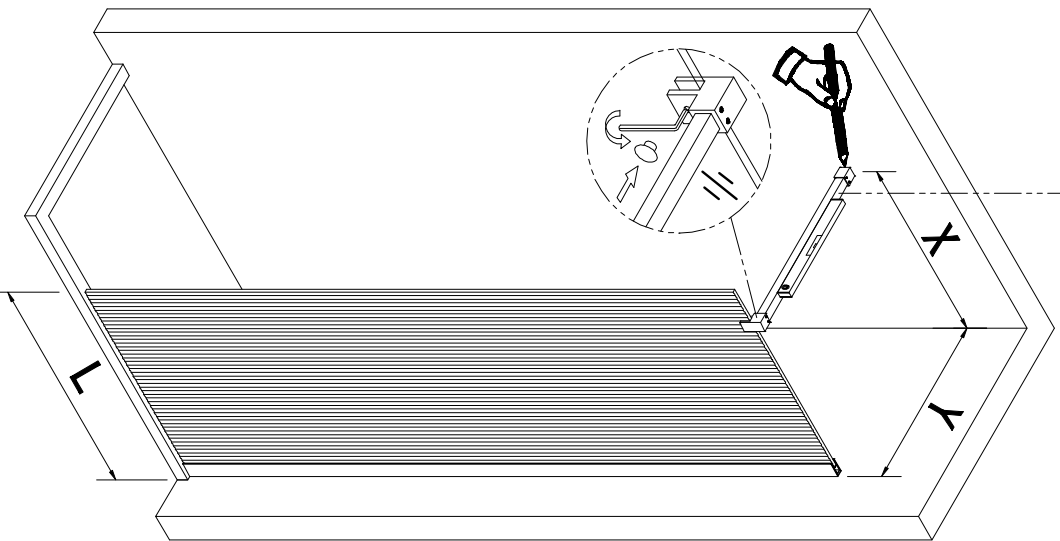
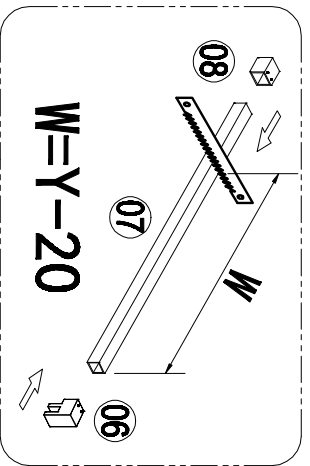
800	765-780
900	865-880
1000	965-980



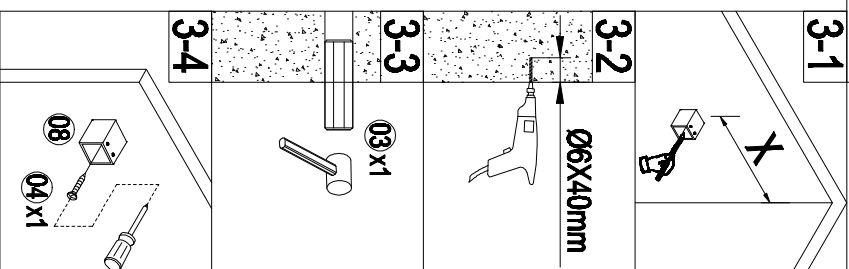
2



3

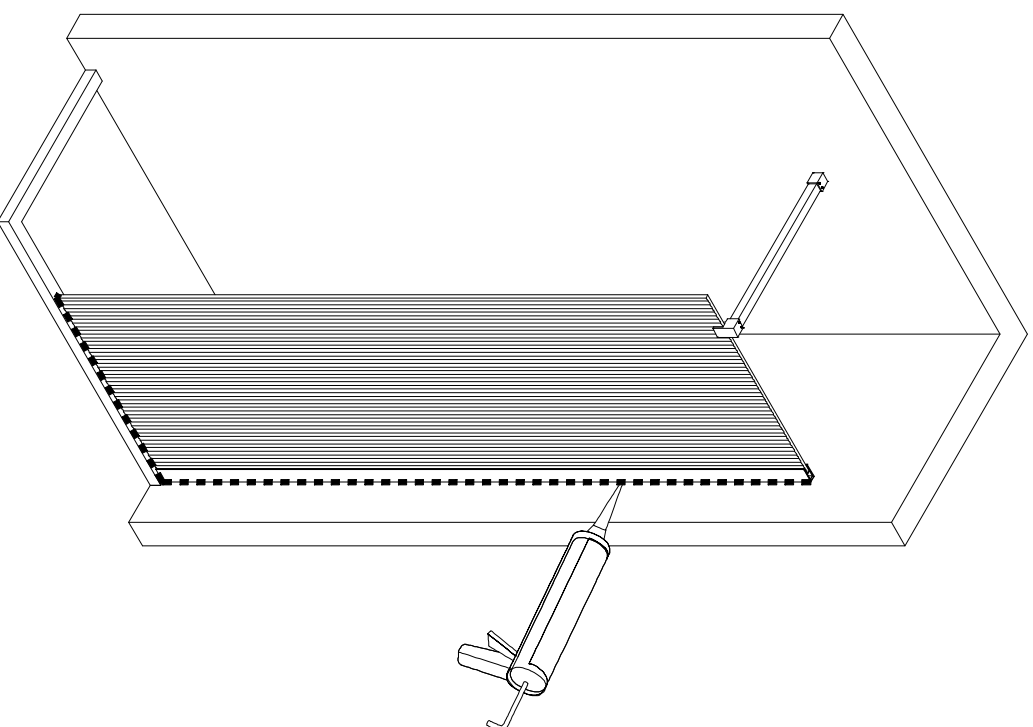


L	X
800	700
900	800
1000	900



4

Care Instructions:
 Do not use your shower enclosure within 24 hours of assembly . Do not use caustic cleaning products or abrasive material whencleaning your shower enclosure.



SHOWER TRAY INSTALLATION

Please fully read these installation procedures and familiarise yourself with the components before commencement. Inspect the product immediately and fully upon receipt, and prior to installation for transit damage or any defects. Your tray comes with a protective film. Peel back to inspect and then replace.

PLEASE NOTE: FITTING OF THIS TRAY WILL BE TAKEN AS ACCEPTANCE OF THE QUALITY

Note! Weights may vary due to the manufacturing process by +/- 10% of the stated weight. An amount of deviation can be expected on this type of product especially on the larger trays.

Shower Tray installation onto a timber floor.

It is recommended that all flat top shower trays are installed before tiling to ensure that the top radius of the tray is behind or at least below the tile face. This will help to create a water tight seal (Fig 5).

Carefully lower the tray into the chosen position, then mark the floor for the waste opening (Fig 2).

Check below the floor level to ensure that there is adequate access for the waste and pipe work.

If an obstruction is found, drill a hole and make provision in the floor of a sufficient diameter to allow the entire waste coupling to fall below the floor level. Make sure the floorboards are securely fixed.

If this is not possible, use 18/20mm thick green grade chipboard, cut to the size of the tray and fix in place.

Caution!! Before attempting to secure any loose floorboards or the chipboard to the floorboards, check that there are no pipes or electrical connections beneath the floor level.

Seal the installation area with a suitable clear waterproofing agent.

So that the tray is bedded completely level the tray area has to be FULLY COVERED with an 8mm minimum thickness of weak cement mix (Fig 3). The minimum thickness of mortar at the lowest point should be 5mm after the tray has been levelled. Check that the top of the tray is level (Fig 4).

Ensure that the entire base of the tray is fully supported as the base of the tray may not be entirely level.

This is due to the manufacturing process. Note the base of the tray has a built-in fall to allow for drainage.

When the cement has set, make the connection between the shower tray and the waste pipe.

The shower tray and all connections MUST now be checked for water tightness, flow and adequate drainage over the entire area. It is recommended that you use a suitable silicone sealant around the waste to create a watertight seal. **DO NOT PROCEED IF NOT SATISFIED.**

How To Mix Up A Standard Mortar

Mix 1 part ordinary cement to 5 parts soft sand. Mix the two together on a smooth hard surface.

Measure the sand and then add the cement on top. Turn them together until they make a uniform colour.

Make a crater and add water gradually. Turn the mix into the water to a flexible consistency.

It must not be runny!

In the case of a flat top shower tray, it is advised that all the tray to wall joints are now sealed with a bead of silicone sealant, once this has been done the walls can be tiled. Ensure that you apply an additional bead of silicone sealant between the tray and the tiles, prior to fitting the wall channels (Fig 5).

Installation onto a Solid or Restricted Access Floor

Where it is difficult to run a waste assembly under the floor, we recommend that you utilise our Universal Leg Set & Panel Kit. This is designed and specified for such installations to support the tray and give access to the waste behind removable panels.

Note! For all trays fitted with 'easy plumb' leg kits, we recommend that you baton the wall to add additional support. For trays 1400mm and above, additional support must be given by cutting a board (11mm min thickness) to suit the size of tray and allowing enough space for the plinth clips to be fitted (not supplied). Fix panel to the underside using a compound adhesive or similar.

FIG 1

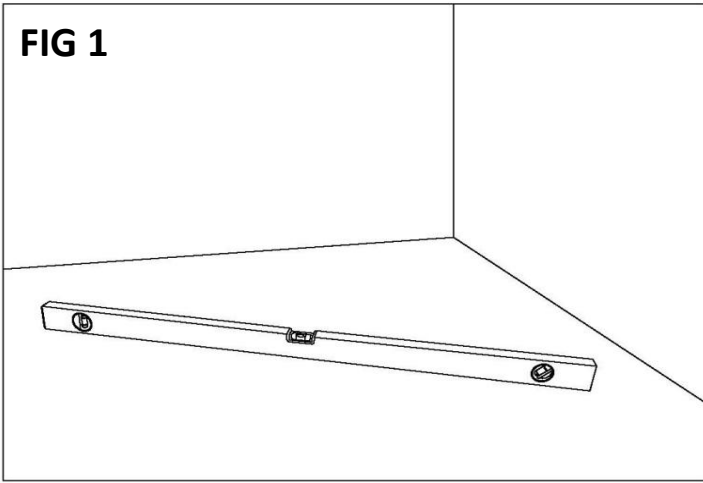


FIG 2

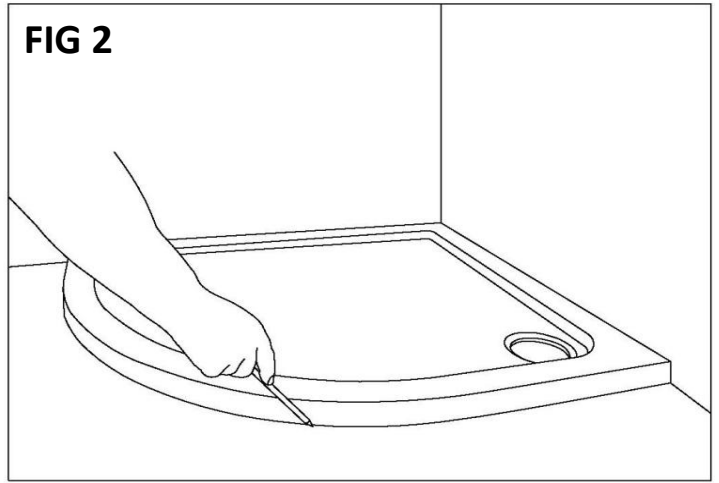


FIG 3

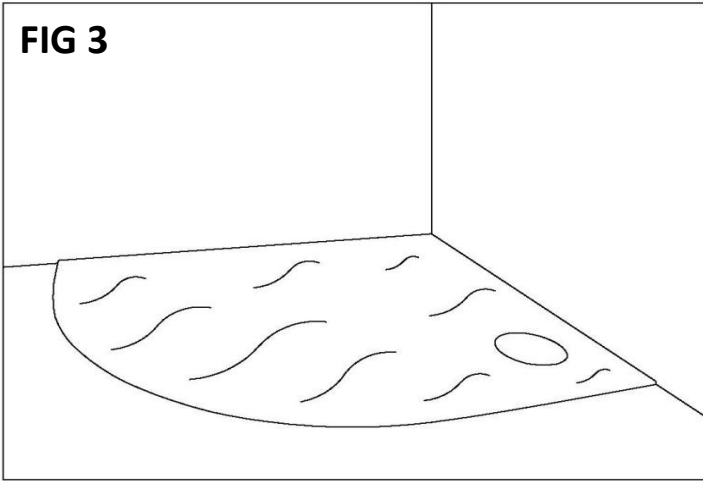


FIG 4

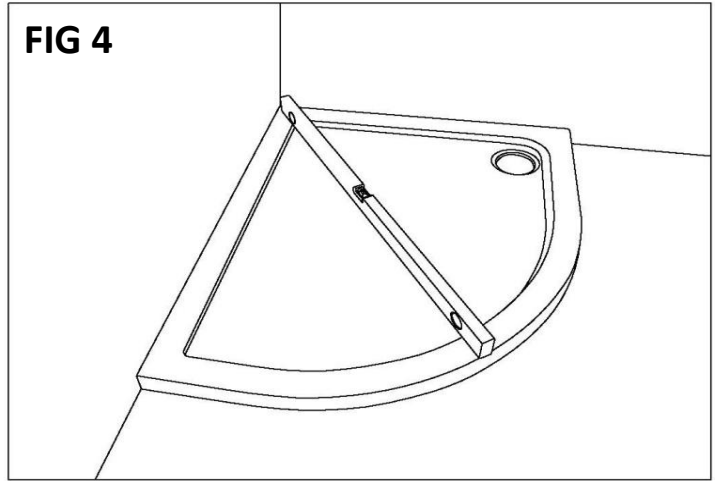


FIG 5

