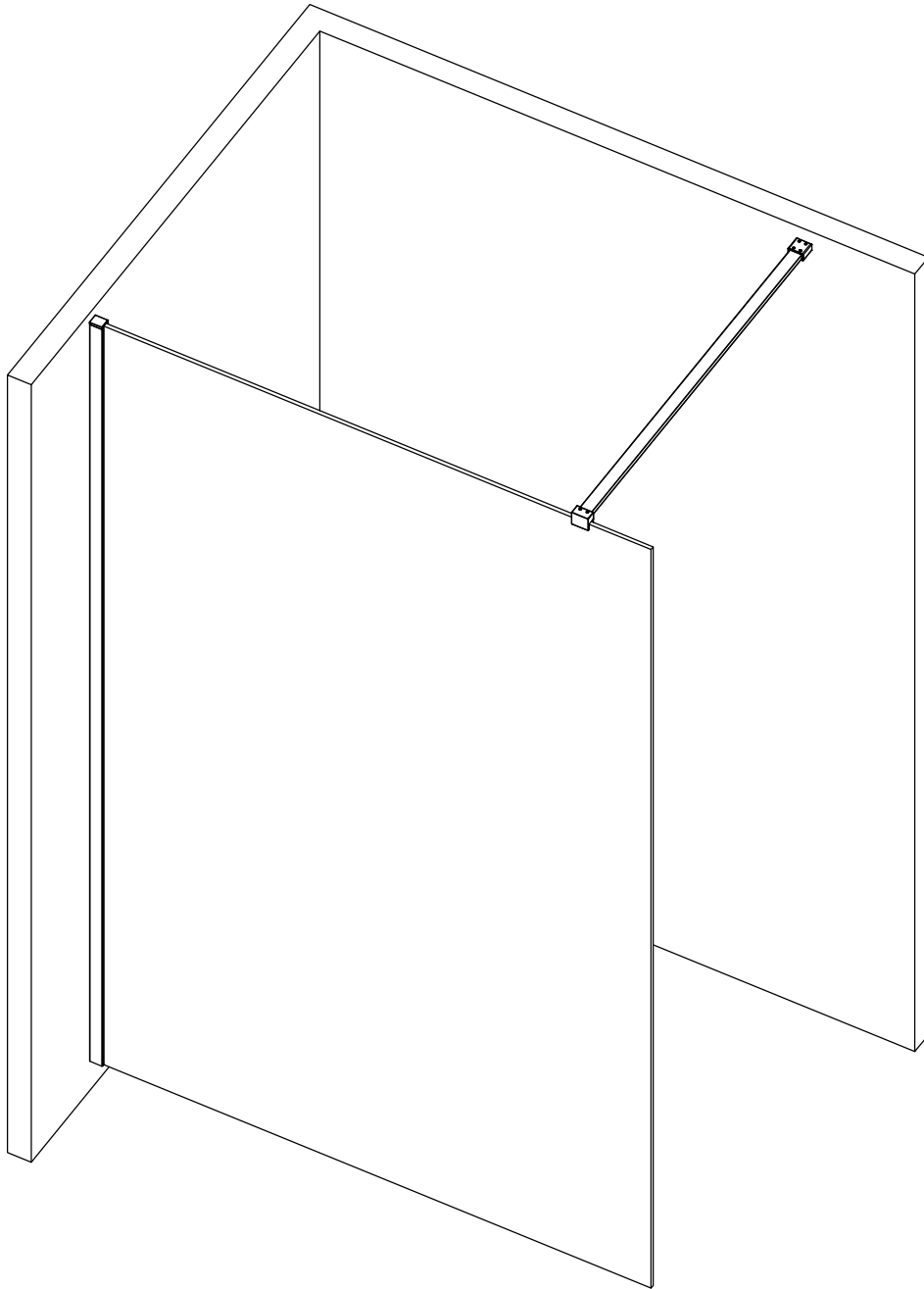


# Installation Instructions





## **Important:**

**Please read the complete instructions before commencing fitting.**

UNPACK THE BOX AND ENSURE ALL COMPONENTS ARE PRESENT.

NO REFUNDS OR REFITTING COST WILL BE GIVEN IF INCOMPLETE OR DAMAGED GOODS ARE FITTED.

THE TOUGHENED SAFETY GLASS SHOULD BE HANDLED WITH CARE AS IMPACTS WILL DAMAGE THE GLASS OR ENCLOSURE.

FIT THE SHOWER TRAY AS PER THE MANUFACTURERS INSTRUCTIONS.  
NOTE: IF THE TRAY ISN'T TRUE AND LEVEL, IT MUST BE RECTIFIED BEFORE SILICONING AROUND THE TOP EDGE OF THE TRAY WHERE IT MEETS THE TILES.

ALLOW THE SILICONE TO DRY BEFORE FITTING THE ENCLOSURE.

# Tools Required

Power Drill

6mm Masonry Drill Bit

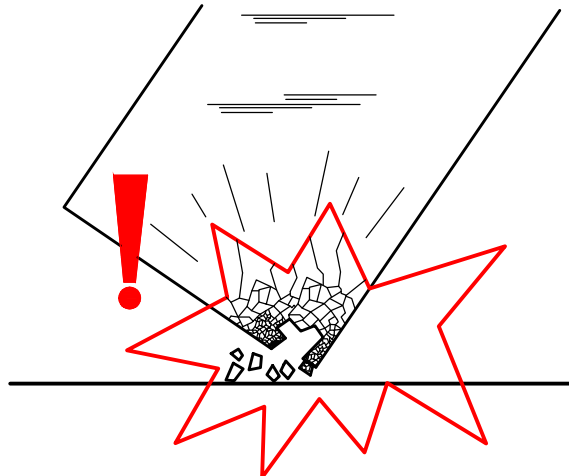
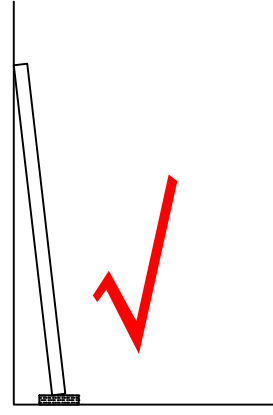
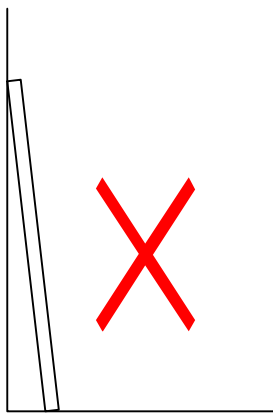
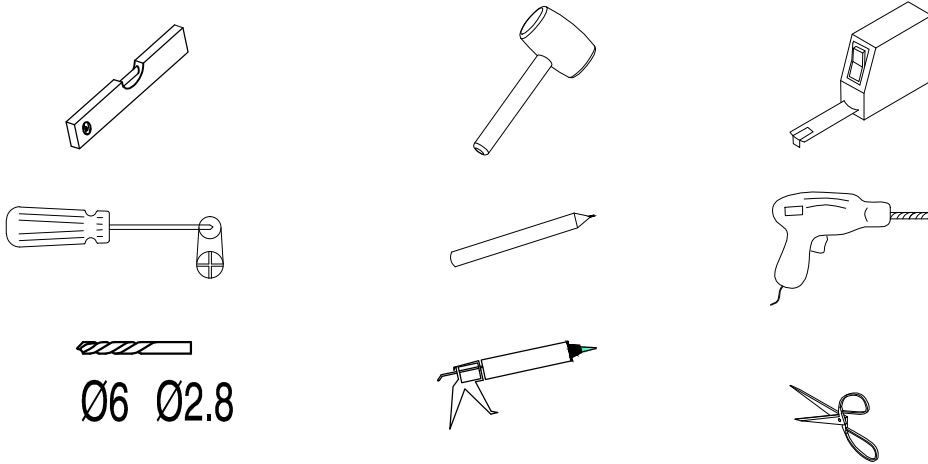
Cross Head Screw Driver

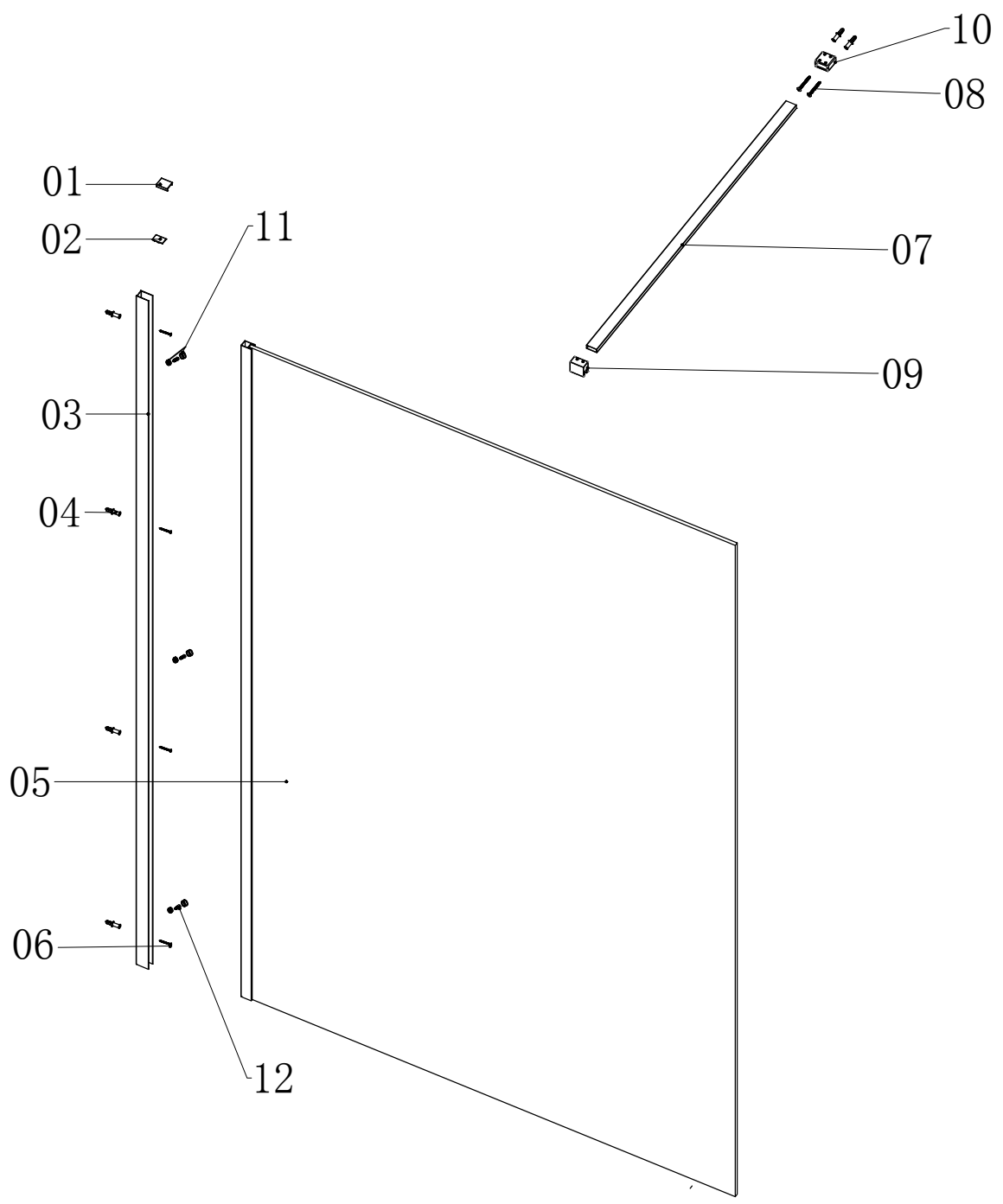
Tape Measure












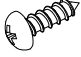




Pencil

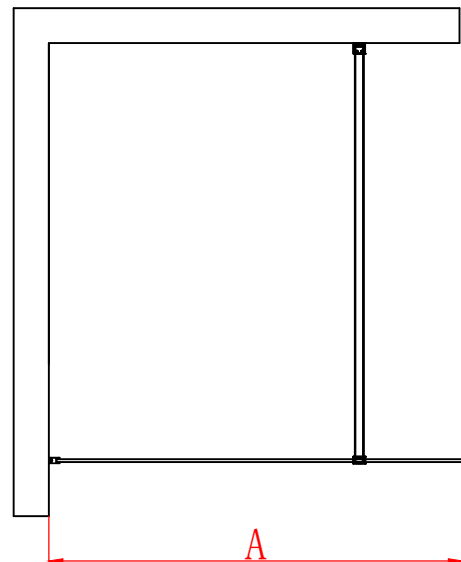
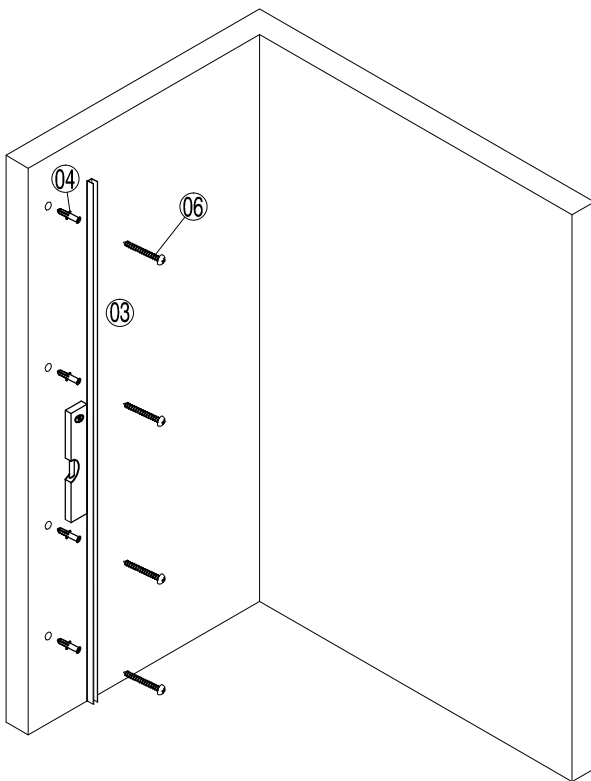
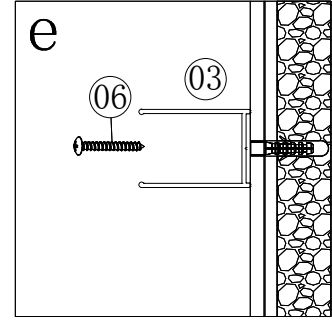
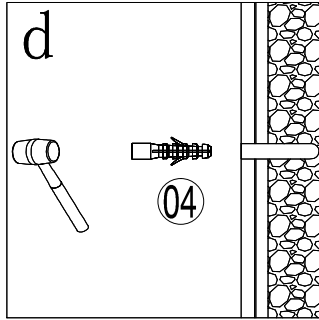
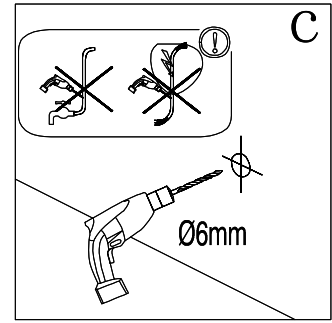
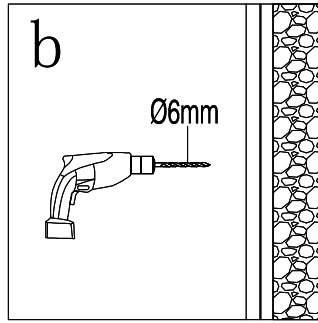
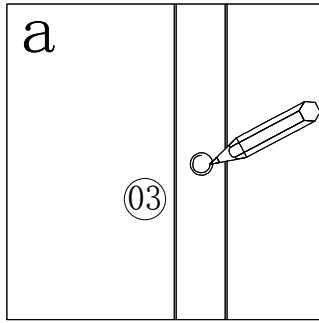
Silicone Gun With Sanitary Grade Sealant

Spirit Level

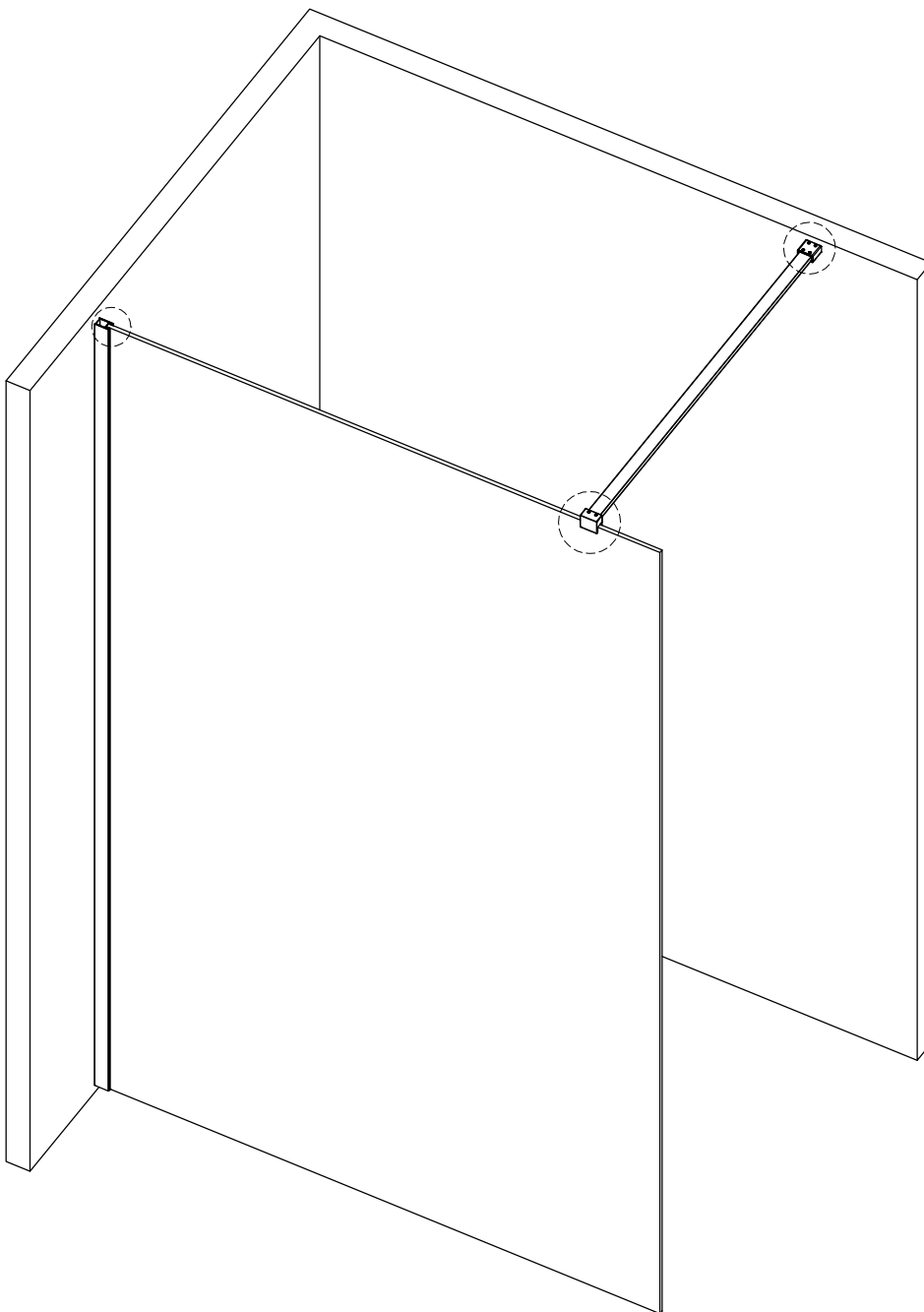
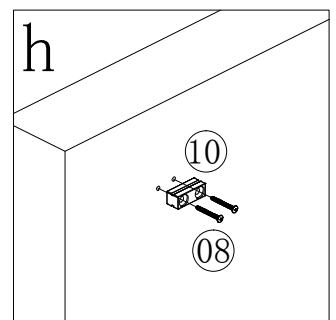
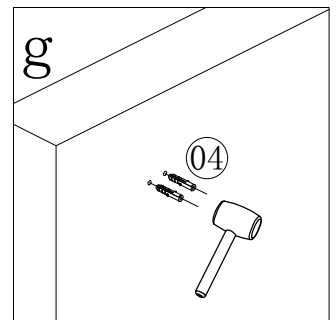
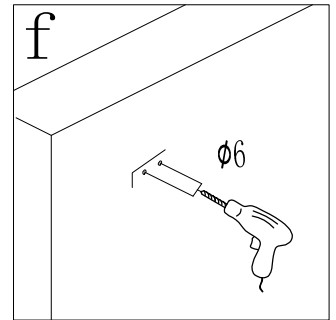
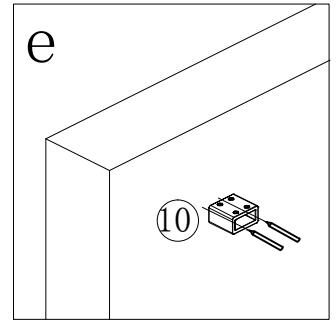
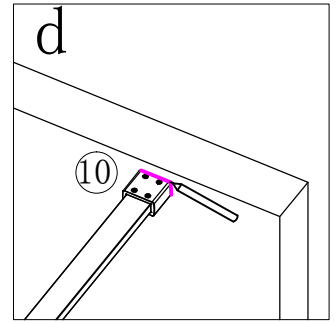
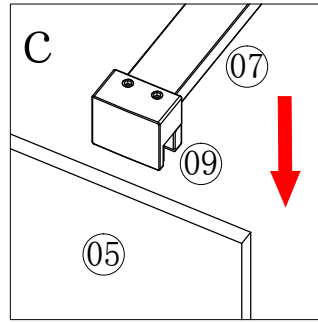
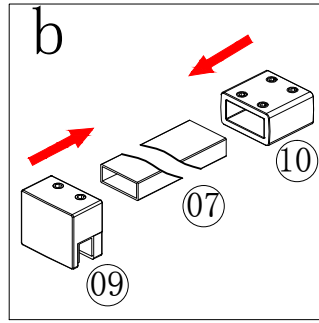
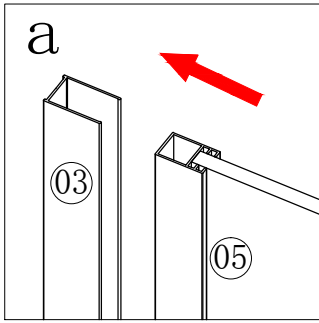




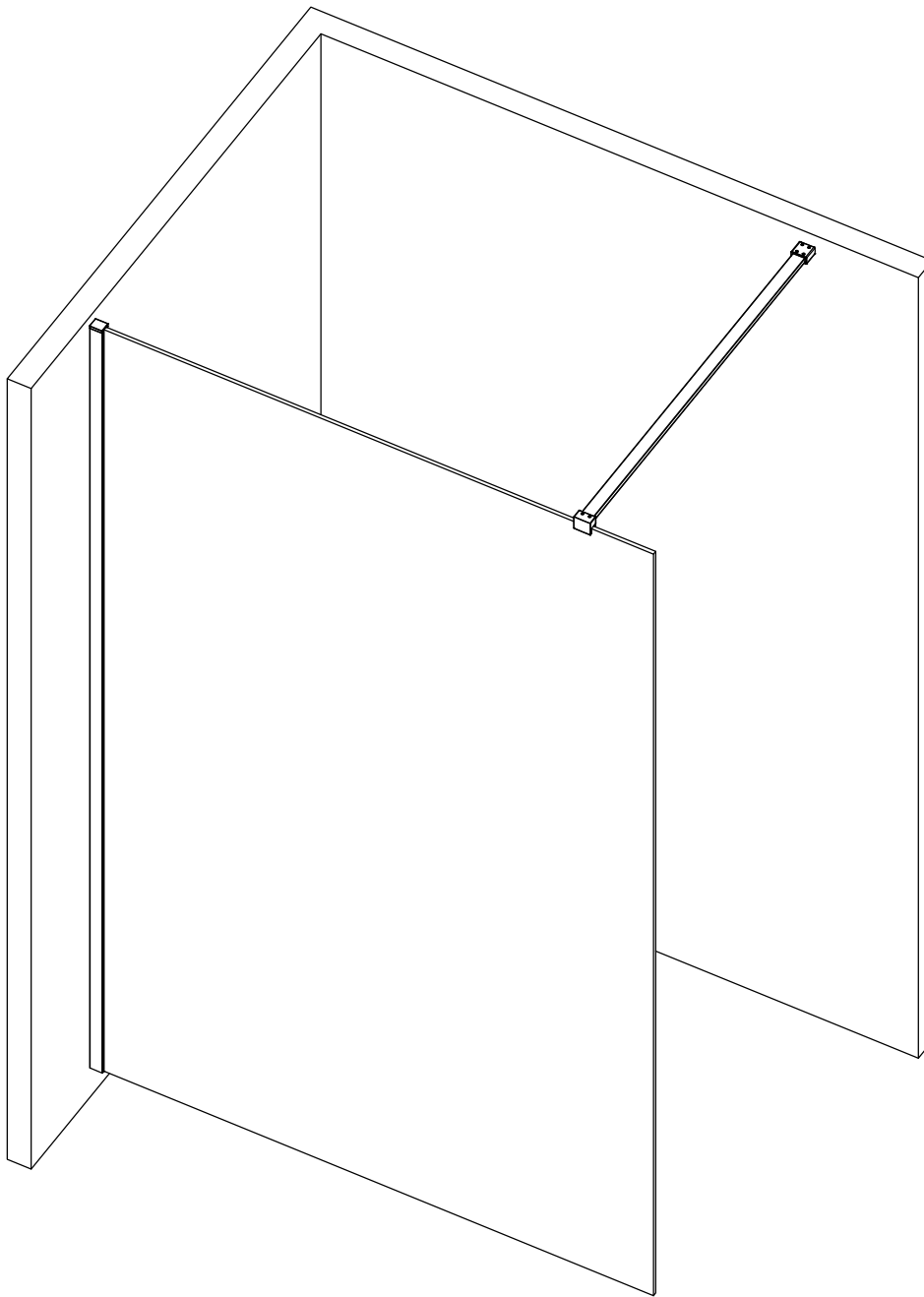
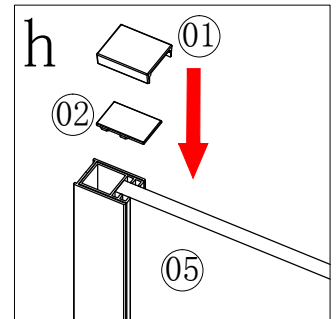
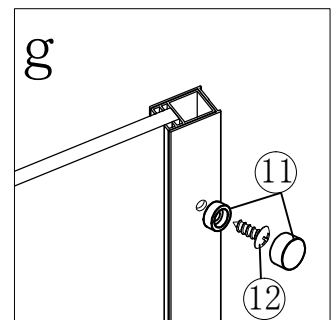
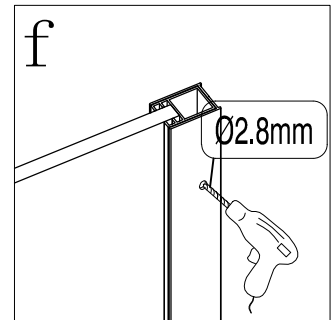
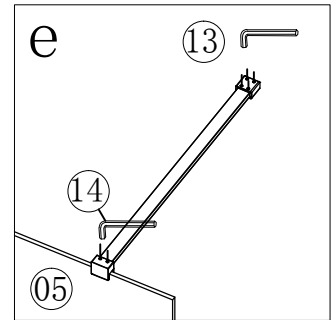
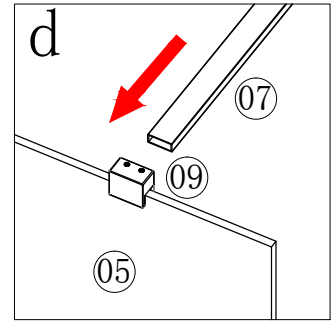
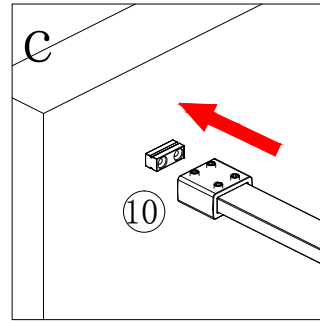
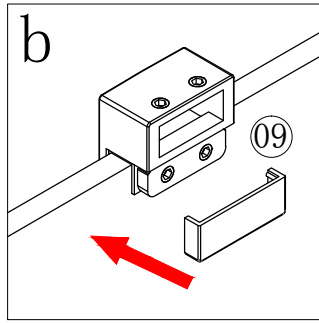
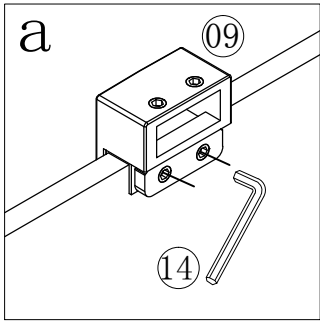
serial number	graphical	name	quantity	remarks
1			1 PCS	
2			1 PCS	
3			1 PCS	
4			6 PCS	
5			1 PCS	
6		ST3. 9X35	4 PCS	
7			1 PCS	
8		ST3. 9X40	2 PCS	
9			1 PCS	
10			1 PCS	
11			3 PCS	
12		ST3. 5X9. 5	3 PCS	
13	 	2. 5mm	1 PCS	
14	 	3mm	1 PCS	



Size (mm)	A (mm)
700	680-690
800	780-790
900	880-890
1000	980-990
1200	1180-1190
1400	1380-1390



< 2 >



<3 >

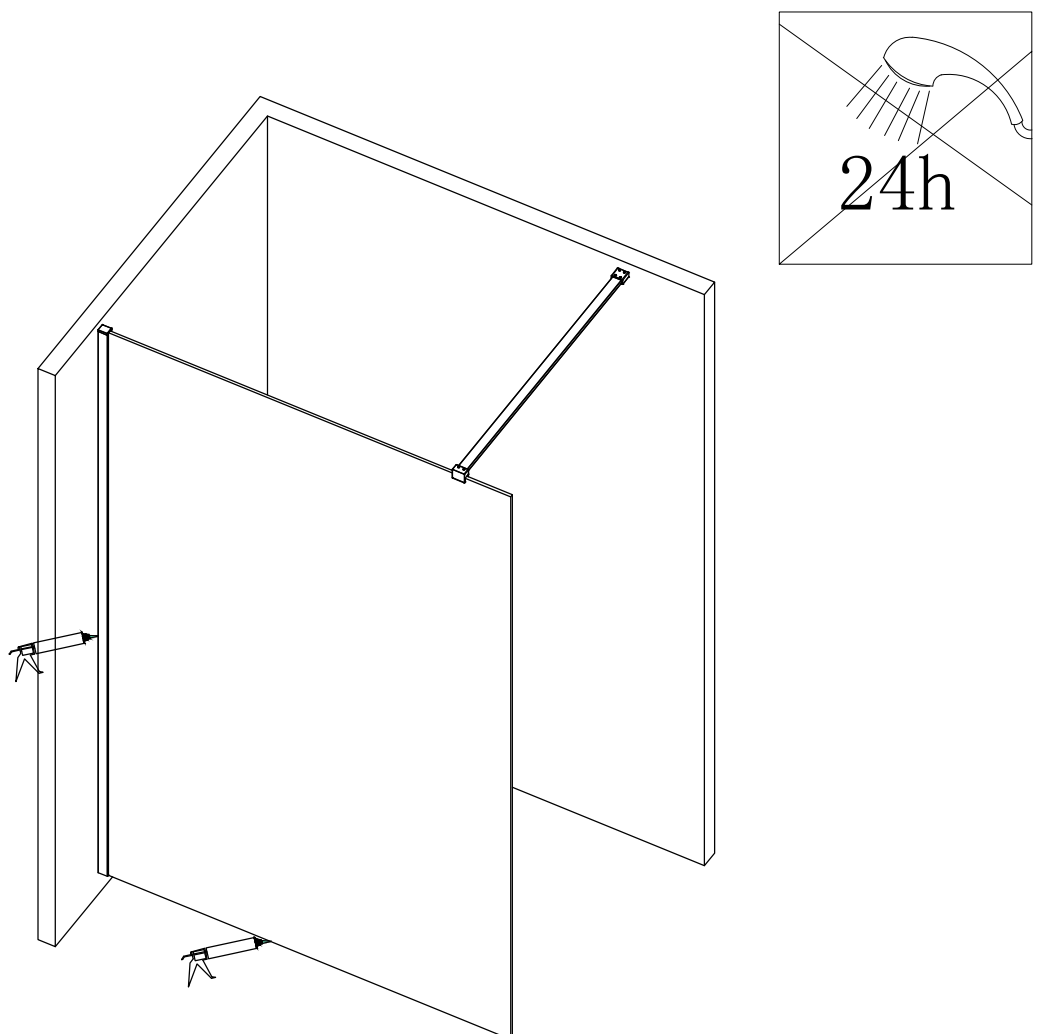


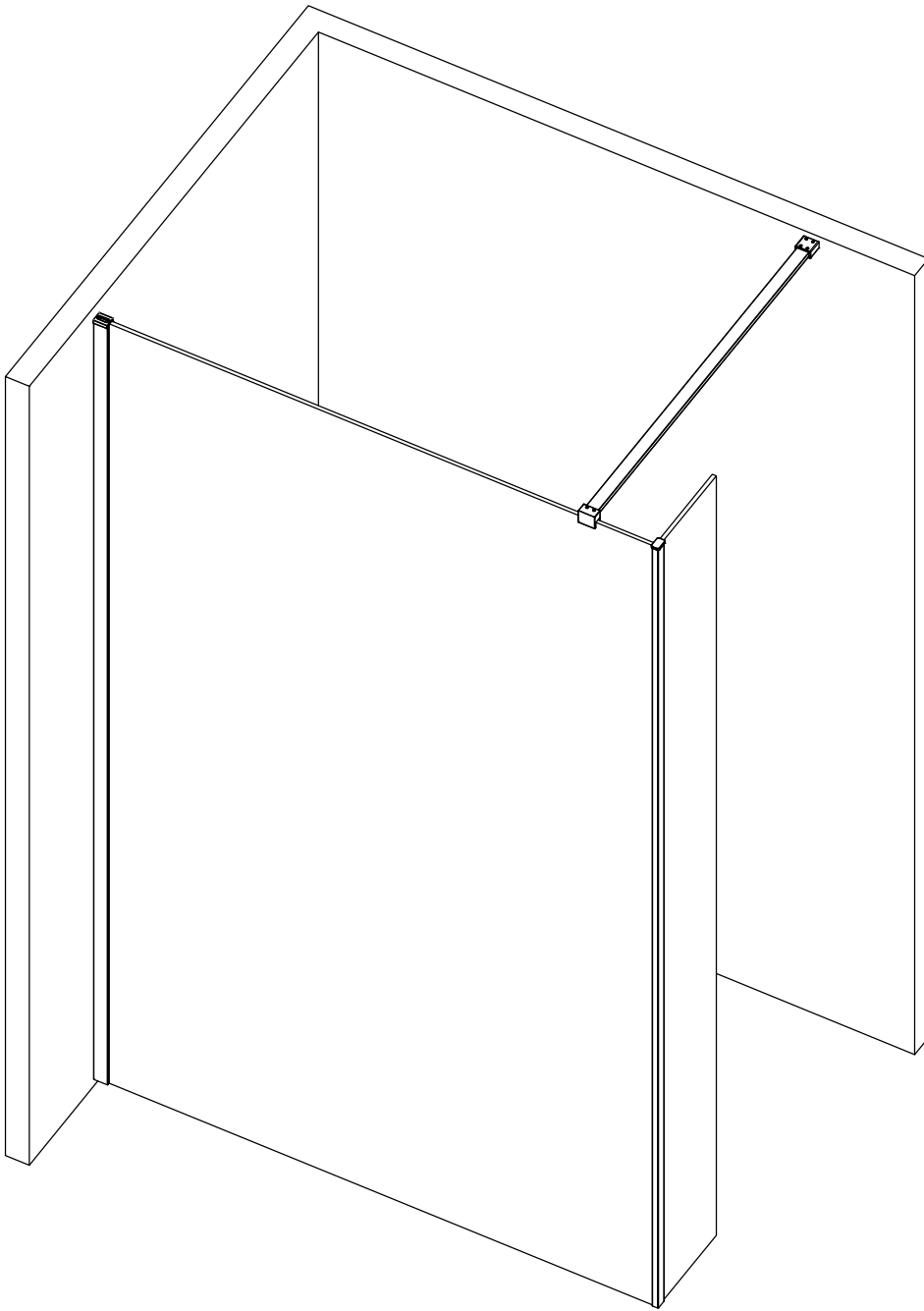
EXTERNALLY SILICONE SEAL THE WALL PROFILE WHERE IT MEETS THE WALL AND ALONG THE BOTTOM OF THE GLASS. ALL IN A CONTINUOUS BEAD. DO NOT SILICONE INSIDE THE ENCLOSURE

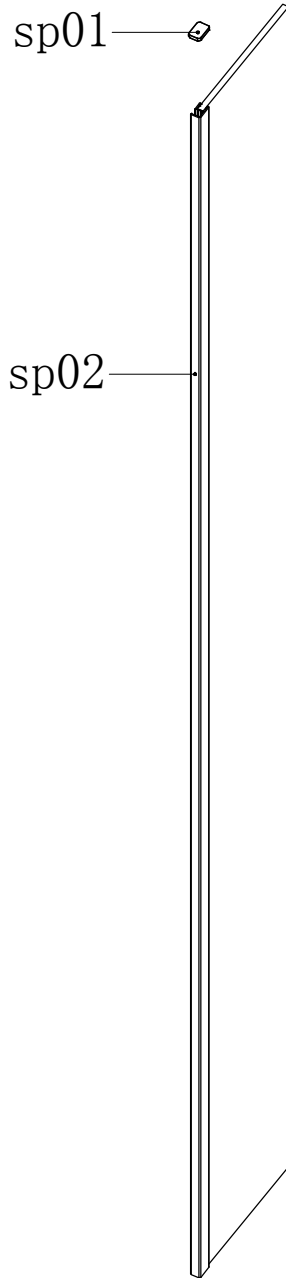
ALLOW THE SILICONE AT LEAST 24 HOURS TO FULLY CURE.



AFTERCARE - ENSURE YOU CLEAN YOUR PRODUCT USING A MILD DETERGENT DILUTED IN WATER, REMOVING ANY RESIDUE WITH A SOFT DAMP CLOTH.

MAINTENANCE - ENSURE MOVING PARTS ARE FREE FROM ANY DEBRIS OR SOAP BUILD UP

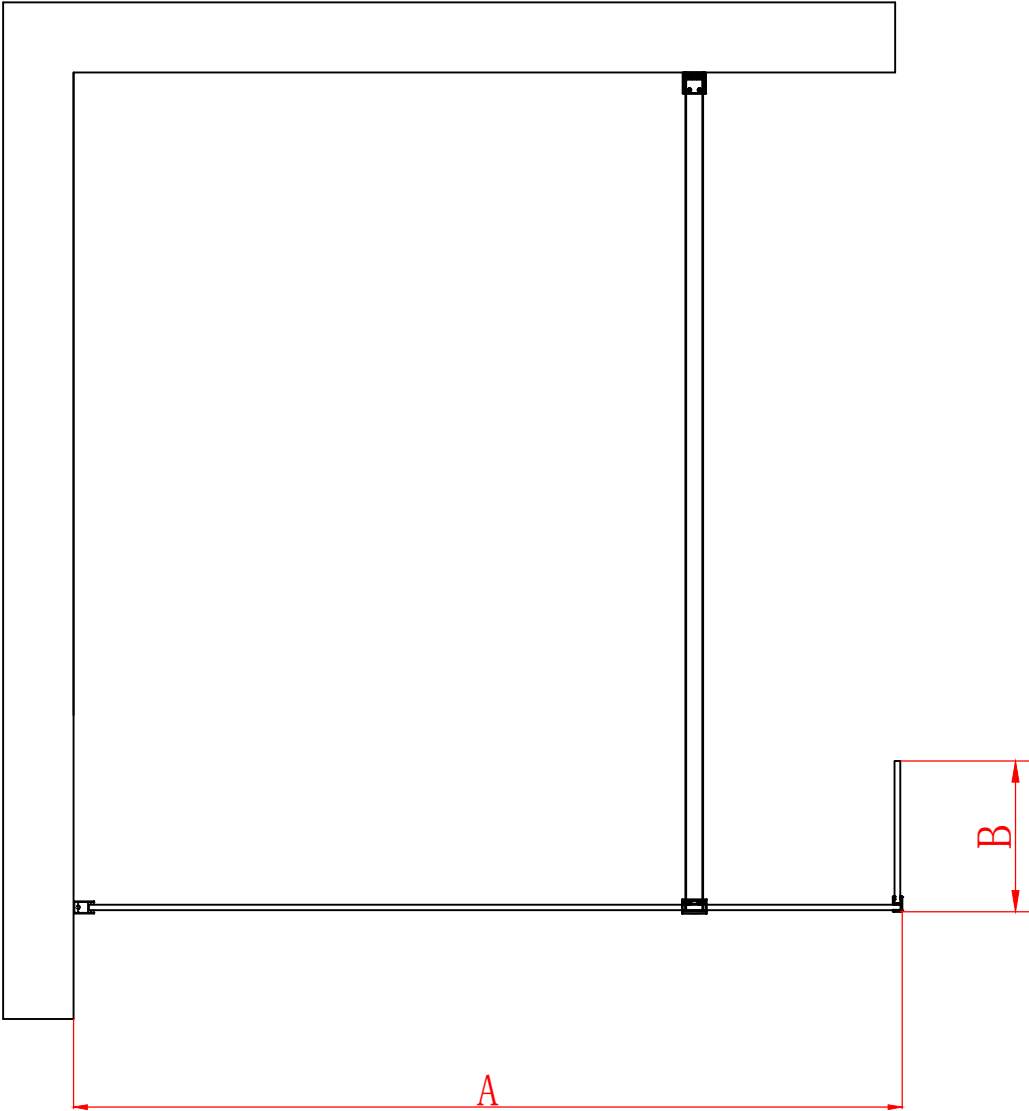




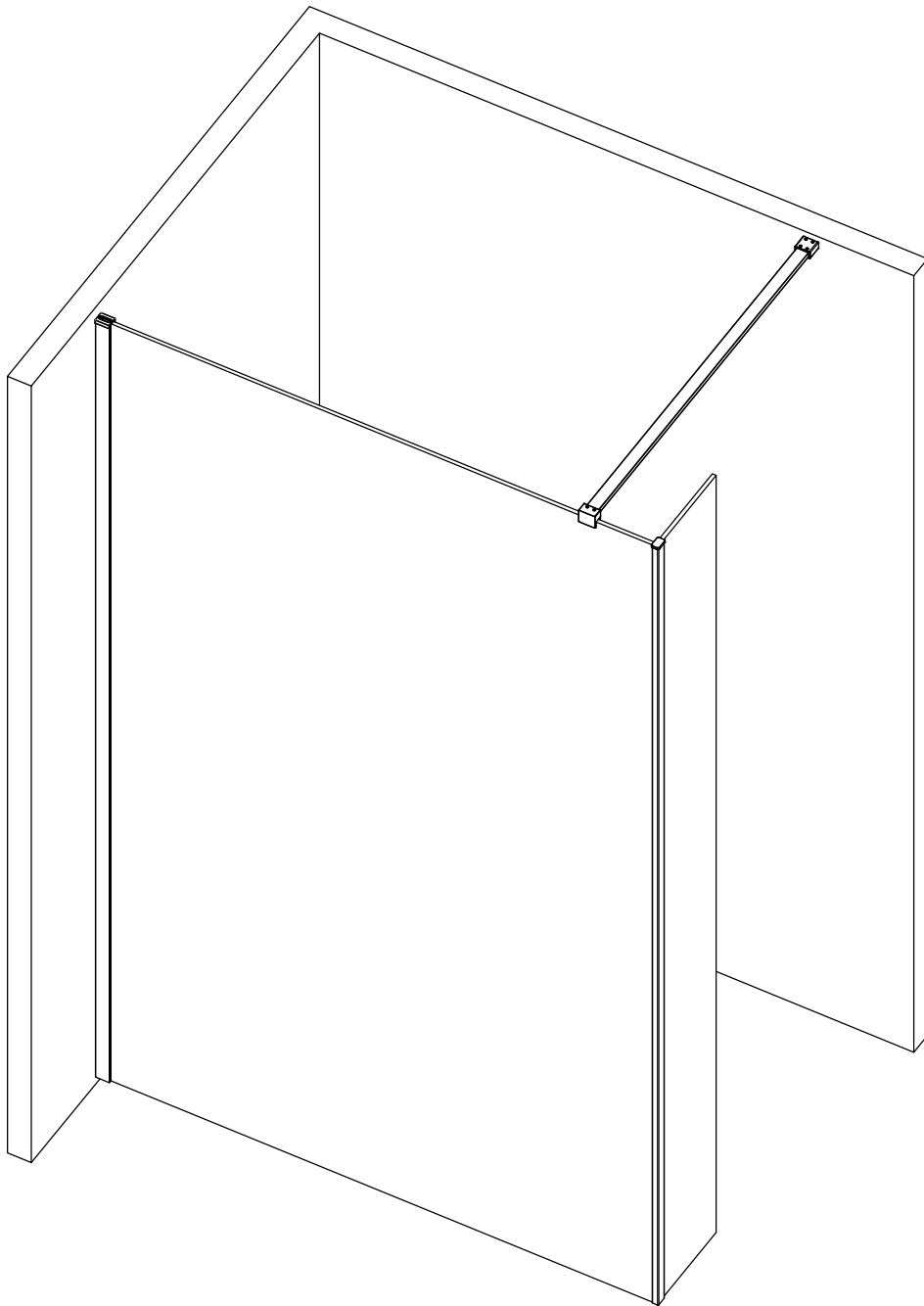
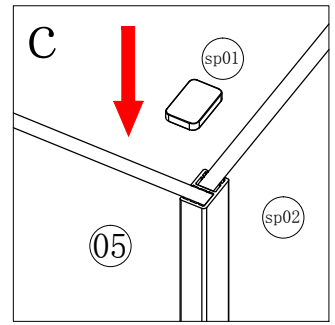
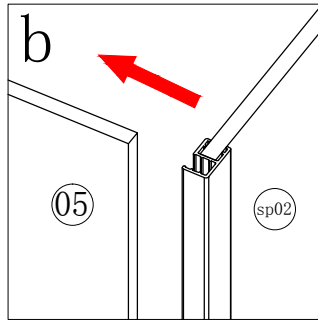
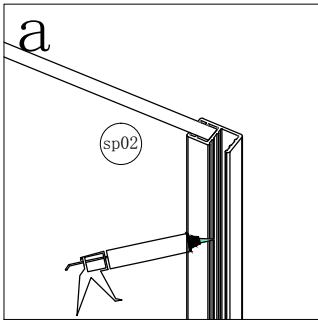


serial number	graphical	name	quantity	remarks
sp01		L/R	2 PCS	
sp02			1 PCS	

Size (mm)	A (mm)	B (mm)
700	680-690	215
800	780-790	
900	880-890	
1000	980-990	
1200	1180-1190	
1400	1380-1390	



< 1 >



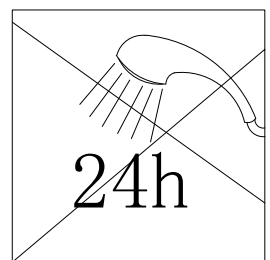
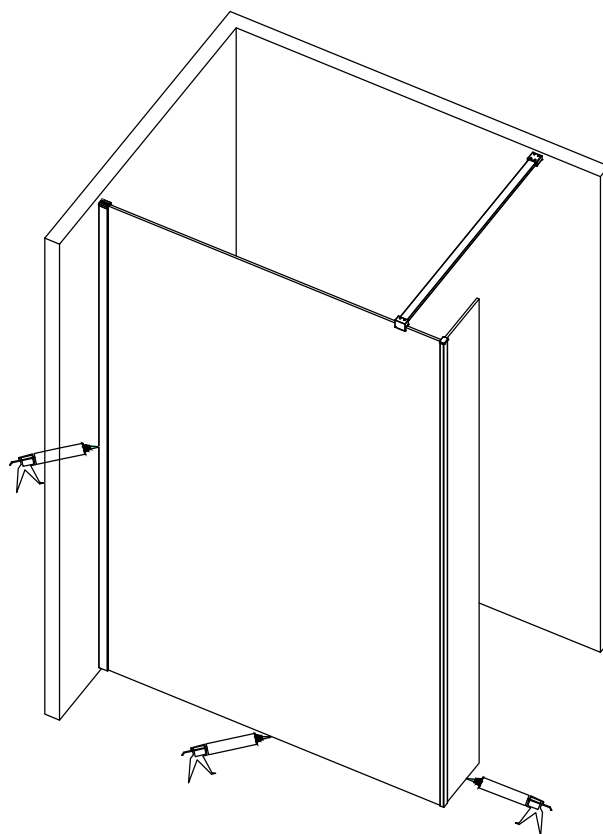
< 2 >

EXTERNALLY SILICONE SEAL THE WALL PROFILE WHERE IT MEETS THE WALL AND ALONG THE BOTTOM OF THE GLASS. ALL IN A CONTINUOUS BEAD. DO NOT SILICONE INSIDE THE ENCLOSURE

ALLOW THE SILICONE AT LEAST 24 HOURS TO FULLY CURE.

AFTERCARE - ENSURE YOU CLEAN YOUR PRODUCT USING A MILD DETERGENT DILUTED IN WATER, REMOVING ANY RESIDUE WITH A SOFT DAMP CLOTH.

MAINTENANCE - ENSURE MOVING PARTS ARE FREE FROM ANY DEBRIS OR SOAP BUILD UP



# Safety Information for User & Installer

## Important information for fitter

- It is recommended that only approved/qualified plumbers should install the product.
- Incorrect installation of the enclosure will invalidate guarantee.

## Safety information prior to and during installation

Carefully check the product for transport damage prior to installation. Never install damaged panels as there is a risk of spontaneous glass breakage. The supplied fixings/wall plugs are only for mounting directly on solid walls. It is essential that the solid, masonry/walls be inspected for adequate load-bearing capacity prior to every installation. The supplied fixings/wall plugs are not for use with stud walls such as plaster board, wood, metal or fiber board. Always seek professional advice to confirm wall type and appropriate type of fixing to be used for installation. Always check walls for concealed utility lines (power, gas, and water) prior to drilling the fixing holes

- Always protect all glass edges from damage.
- Never stand the glass on its corners throughout the installation! Place the packing material beneath the glass panel; never place the glass on tiles, concrete floors or similarly hard surfaces
- It is mandatory to check each glass panel for damage prior to installation. Never install damaged glass panels as this could cause spontaneous glass breakage!
- If the glass panel is damaged during use it must be replaced without delay. (Failure could cause a risk of spontaneous glass breakage!)

## Prevent damage to glass or operation of the product.

- Ensure fittings do not hinder the movement of the door.
- Ensure that no objects are within the range of the door opening/ closing area.
- Avoid hitting the panels with hard objects such as mops when cleaning or tools during assembly. Damaged panels must be replaced as failures may cause latent glass breakage.
- Do not hit against the glass edge with hard or pointed objects (e.g. with mop handle) Damaged panels must be replaced; damage may cause spontaneous glass breakage.
- Do not use panels or handles to hang or support items such as drying towels or clothes.



# Maintenance Information

## Service/repair and inspection for safety.

After cleaning, check all the moving elements are sufficiently greased, re-grease, if necessary only use acid-free grease.

## Cleaning

Do not use steam cleaners, caustic or aggressive cleaning and scouring agents, cleaners that corrode plastics, or solvents containing acetone or turpentine or neat bleach.

- Do not use any cleaning agents, which according to the manufacturer's specifications may corrode aluminum or light alloys.
- Do not use glass cleaning pastes and micro-fibre cloths to prevent damage to glass coating system.
- In order to prevent the build-up of lime scale, remove any remaining drops of water after showering using a squeegee, soft cloth without any cleaning agent.
- After use, carefully rinse off all residue such as; liquid soaps, shampoos, shower gels or similar cosmetic product with water to avoid deposits.

**Important:** Never apply the cleaning agent for longer than necessary. After cleaning, check all the moving elements are sufficiently greased, re-grease, if necessary.

## Recycling and disposal

Please recycle the packaging in accordance with your local government regulations on waste handling, and follow the same advice at the end of the products life.

**For more Information**

**Visit: [victorianplumbing.co.uk](http://victorianplumbing.co.uk)**