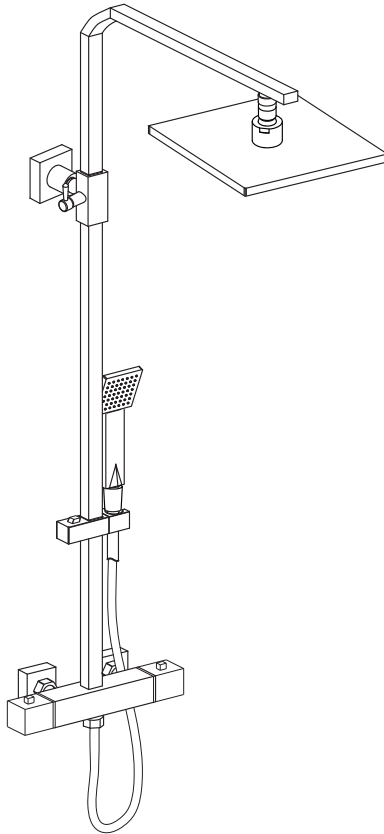


AREZZO

Square Twin Head Thermostatic Shower



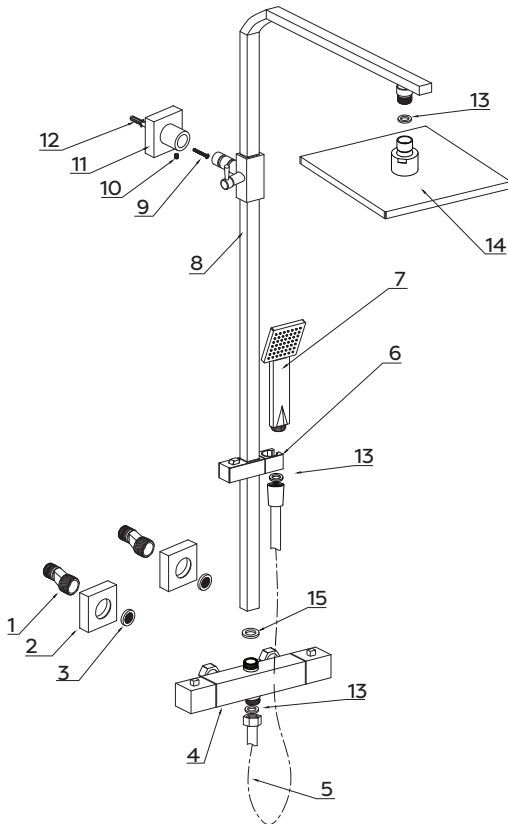
Fitting Instructions

Please follow them carefully and
leave this manual with end user

Before you begin:

1. **We recommend that this product is installed by a qualified tradesperson.** Victorian Plumbing Ltd. accept no liability for products incorrectly installed, or where the correct testing procedures have not been adhered to, thus resulting in the escape of water and consequential damage.
2. Ensure the incoming mains water supply is switched off prior to commencing the installation.
3. Observe all local plumbing and building codes & regulations.
4. **Check the chosen wall space for any pipes/cables prior to drilling.**
5. Unpack the product then read these instructions before proceeding. Inspect the product for damage. If any damage is found, contact our Customer Relations team.

Component Listing:



1. Offset Connector (X2)
2. Cover Plate (X2)
3. Seal Washers (X2)
4. Valve Body (X1)
5. Shower Hose (X1)
6. Slider Bracket (X1)
7. Handset (X1)
8. Slider rail (X1)
9. Wall screw (X2)
10. Fixing Plate Screw (X1)
11. Fixing Plate (X1)
12. Rawl Plug (X2)
13. Hose Washers (X3)
14. Shower Head (X1)
15. Valve Body Washer (X1)

Tools Required



Power Drill



Spirit Level



Wrench



Screwdriver



PTFE Tape

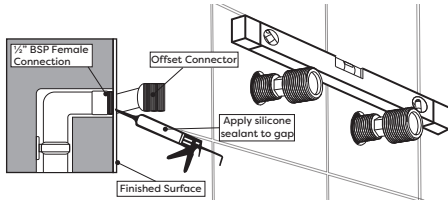


Silicone Sealant

Installation Steps:

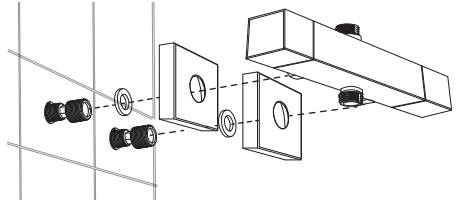
- **Note!** When installing the pipework, ensure it is set at the correct distance apart (150mm) and securely fixed in place.
- Diagrams are for illustration purposes only. Your shower may superficially differ from this drawing however the installation guide steps still apply.

Step 1:



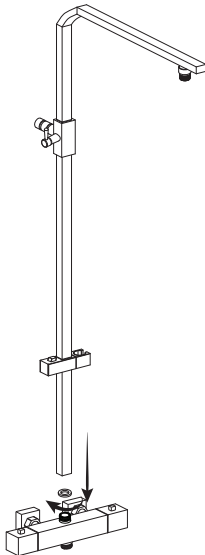
- Apply suitable thread sealant P.T.F.E Tape (not supplied) and attach the offset connectors to the pipework in the wall.
- **Note!** Connections are: Hot-Left, Cold-Right. The shower unit does not allow for reversed inlets.

Step 2:



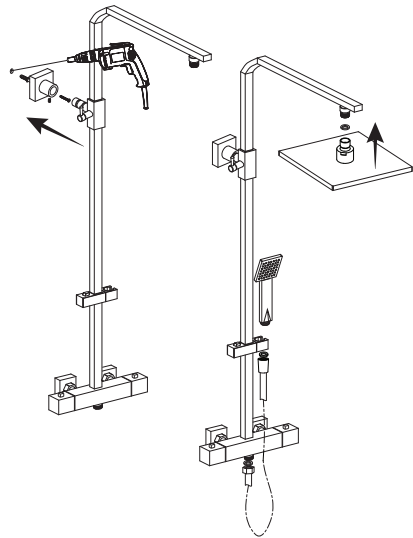
- Screw the concealing plates onto the offset connectors until they come into contact with the wall. Fit a sealing washer/filter into each inlet of the shower unit and attach to the offset connectors.
- Screw the valve body to the offset connectors, tighten the valve with an adjustable wrench.

Step 3:



- Install the slider rail on the valve body. Make sure the washer should be used between the slider rail and valve body.
- When installing the Shower Unit please ensure that there is a minimum of 118cm height clearance above the shower valve to allow for the riser pipe and overhead shower head to be fitted.

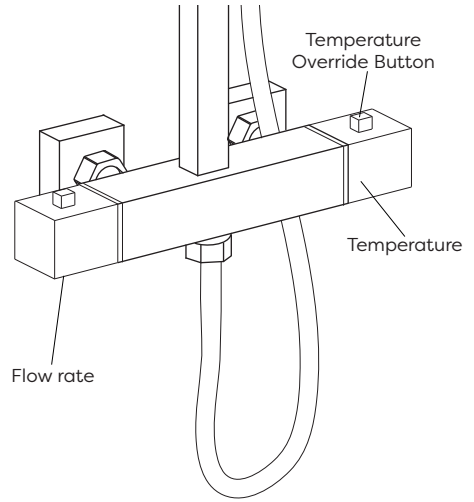
Step 4:



- Confirm the position of the fixing plate, drill a hole in the wall for the fixing plate, use a screw to fix the fixing plate onto the wall. Install the Shower head and handset.
- Turn on the water supply, check all joints and connections for any leaks.

Opertation:

- Turning the right handle controls the water temperature. To prevent scalding, a safety feature of the shower includes a temperature stop at 38 degrees. To override this function the button on the handle will need to be pressed. If overriding the temperature, when finished please return the handle to below 38 degrees as to ensure the next person using the shower does not risk being exposed to high-temperature water.
- Turning the left handle of the shower, controls the flow rate and turning the handle clockwise will increase the flow to the main shower head. Turning the handle anticlockwise will increase the water flow rate to the shower handset.



Aftercare:

Always clean the surface of shower to keep it bright. **Attention:** please do not use inappropriate tools such as sharp brushes, rough sponges, scouring pads or corrosive detergent to clean the shower. Please clean the shower by wet cloth and soapy water after each time of usage. Then rinse the soap out with clean water and dry with a soft cotton cloth.

Troubleshooting

FAULT	POSSIBLE CAUSE
Shower only runs hot or cold after installation	<ul style="list-style-type: none"> • Hot and cold supplies have been plumbed the wrong direction. • Faulty thermostat. • Insufficient water pressure.
Shower does not run hot enough	<ul style="list-style-type: none"> • Check the hot water supply temperature. • Maximum temperature needs adjusting, see temperature adjustment. • Blockage in the hot supply.
Hot water in cold supply or vice versa	<ul style="list-style-type: none"> • Check and clean non-return valves. • Check Hot and Cold supplies have not been reversed during installation.
Low or no flow	<ul style="list-style-type: none"> • Possible blockage/debris in the system. • Operating conditions are incorrect. • Valve shut off has been activated due to a pressure drop in either the cold or hot supplies.
Leaking when in the off position	<ul style="list-style-type: none"> • Debris in the flow control cartridge. • Faulty control cartridge.
Fluctuating flow	<ul style="list-style-type: none"> • Dynamic inlet pressure are not balanced.