

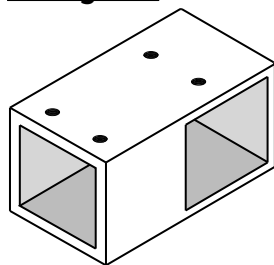
# AREZZO

## T-Piece Section For Wetroom Screens

### Before you Begin:

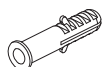
- This instruction shows how to fit the t-piece section. Ensure the t-piece is the correct size and shape for the retaining arms.
- **We recommend that this product is installed by a qualified tradesperson,** Victorian Plumbing Ltd. accept no liability for products incorrectly installed or any damage to the floor,walls, plumbing, glass screen, or personal injury during installation.
- Unpack the product then read these instructions before proceeding. Inspect the product for damage. If any damage is found, contact our Customer Relations team.

### Fitting List:



T-Piece (x1)

### Recommended Fittings (not included):



Rawl Plug



Screw

### Tools Required (not included):



Allen Key



Pencil



Power Drill



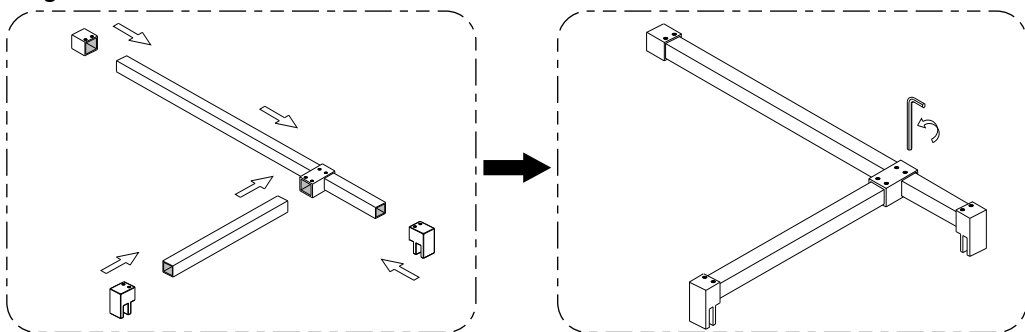
Spirit Level



Screw Driver

\*\*Diagrams are for illustration purposes only. Your T-Piece may superficially differ from this drawing however the installation guide steps still apply.\*\*

### Diagram:

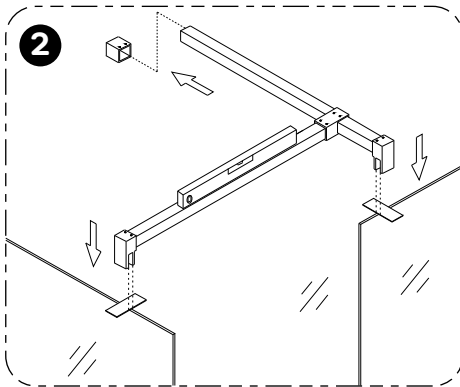
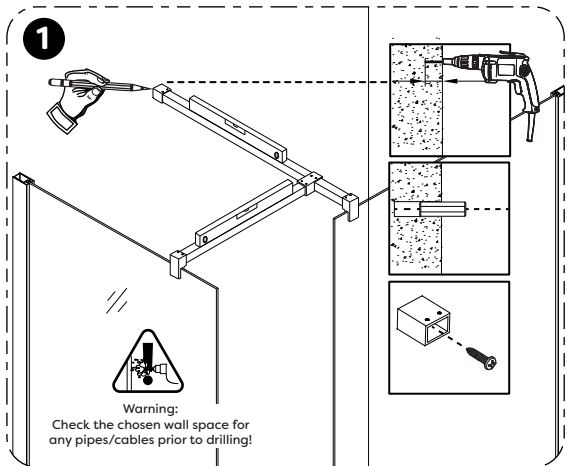


### Special Information on Handling Glass:

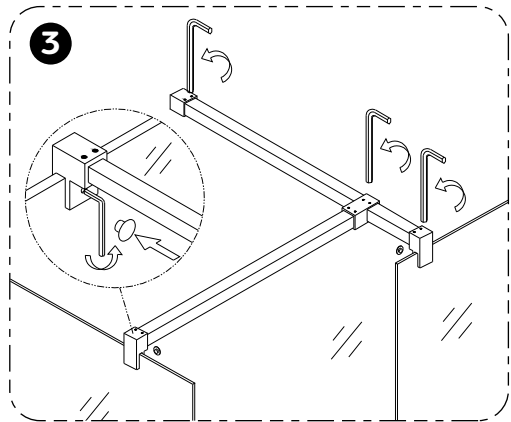
- **Always protect all glass edges from damage.**
- **Never stand the glass on its corners throughout the installation!** Place the packing material beneath the glass panel; never place the glass on tiles, concrete floors or similarly hard surfaces.
- It is mandatory to check each glass panel for damage prior to installation. Never install damaged glass panels as this could cause spontaneous glass breakage!
- If the glass panel is damaged during use, it must be replaced without delay. **(Failure could cause a risk of spontaneous glass breakage!)**

## Installation:

- Position the retaining arms in the desired position on the wall and screens, then mark the position on the wall ready for drilling. Ensure the markings are level using a spirit level.
- Using an appropriate sized drill bit, carefully drill a hole in the wall. Ensure that there are no hidden pipes or cables behind the marking on the wall. Insert a rawl plug into the drilled hole.
- Remove the fixing bracket from the arm, place the fixing bracket over the rawl plug and secure into place using a screw. Ensure the bracket is level using a spirit level.



- Mount the retaining arms into the fixing plate and glass screens. Ensure there is a clear silicone rubber strip in-between the glass screens and the clamping brackets to avoid damage to the glass.
  - Ensure the retaining arms are level using a spirit level.
- Using an Allen key, secure the arm bar into position by screwing the grub screws (be careful not to over-tighten).
  - Ensure the glass screens and retaining arms are level using a spirit level.



## Cleaning and Aftercare:

- Always clean the surface of arms to keep them bright. **Attention:** please do not use inappropriate tools such as sharp brushes, rough sponges, scouring pads or corrosive detergent to clean the arms. Please clean the arms by wet cloth and soapy water. Then rinse the soap out with clean water and dry with a soft cotton cloth.