

Niche

INSTALLATION INSTRUCTIONS

SAFETY NOTE:

Suitable PPE should be worn during the installation to prevent injuries

Prior To Installation:

- The plumbing codes applicable in the respective countries must be observed
- Prior to installation, inspect the product for transport damages. After it has been installed, no transport or surface damage will be honoured
- The wall of the installation area should have been inspected, it cannot be to a bearing wall and the wall thickness no less than 250mm. The installation position (opening size) and the overall size of the product differ by 15mm in width and length. The dimensions are reference data, please measure and calculate according to the actual product size.
- The product cannot be cleaned with abrasive cleaners and/or pointed or abrasive objects. Clean brushed or ground surfaces always parallel to the grind instead of across it
- DO NOT USE SILICONE CONTAINING ACETIC ACID!

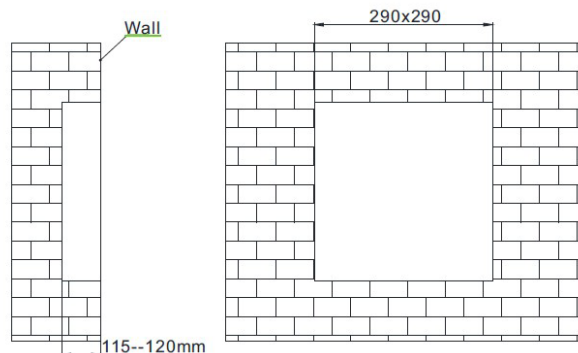
Cleaning & Maintenance:

Iron-free cleaning materials should generally be used for cleaning stainless steel
We recommend:

- A soft cloth and/or a leather rag
- A sponge (No scouring sponge or steel wool)
- A special stainless steel cleaner or another suitable mild cleaning agent

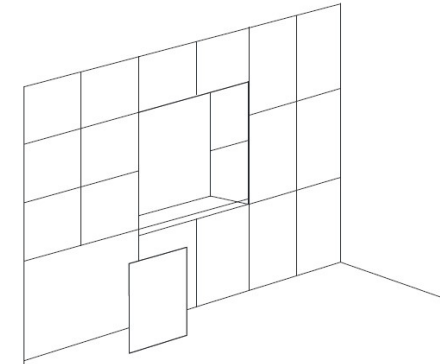
Step 1

Cut a hole in the wall where the Niche is to be installed. For dimensions, refer to the technical drawing shown below. Allow an extra 10mm in both length & width when cutting a hole in the wall. **Check your product frequently.**



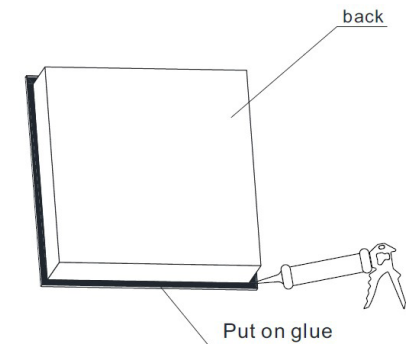
Step 2

Tile both the wall & recess in preparation for the Niche installation.



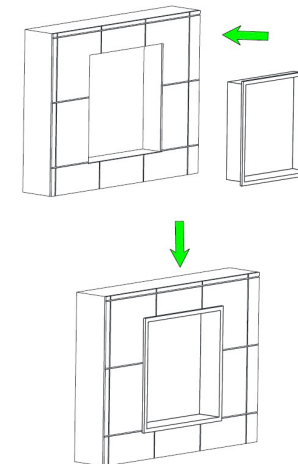
Step 3

Pipe a bead of good quality clear silicone sealant around the edges of the rear of the Niche.



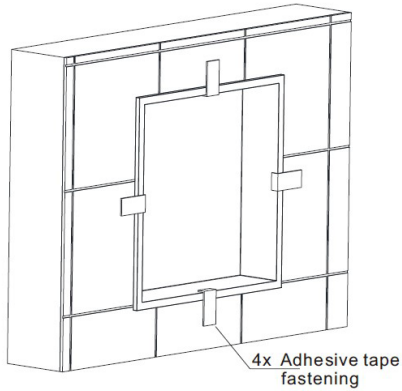
Step 4

Install Niche in wall recess.



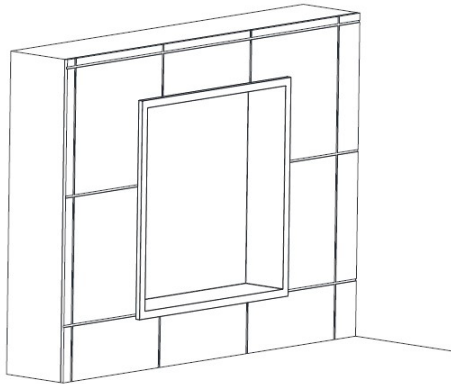
Step 5

Using a heavy grade adhesive tape, secure the Niche to the wall the remove after 24 hours.



Step 6

Installation is now complete.



WE RECOMMEND THAT THIS PRODUCT IS INSTALLED BY A QUALIFIED TRADESPERSON AND WE ACCEPT NO LIABILITY FOR PRODUCTS FITTED INCORRECTLY.