

SEMI RECESS POLYMARBLE BASIN FITTING & CARE INSTRUCTIONS

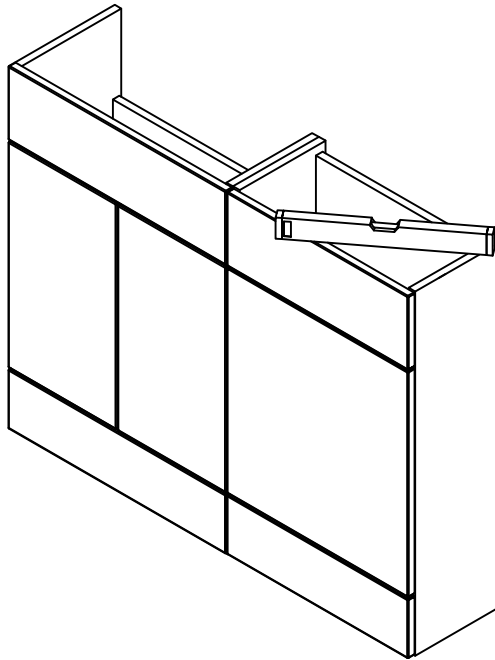
PLEASE READ THE INSTRUCTION FULLY BEFORE PROCEEDING.

BEFORE FITTING THE PRODUCT, PLEASE INSPECT THE WASH BASIN FOR ANY DEFECTS OR DAMAGE. WHEN FITTING THE BASIN, MAKE SURE TO PROTECT THE SURFACE FINISH AGAINST SCRATCHES AND MARKS THAT CAN BE CAUSED DURING INSTALLATION. FIT ANY ADDITIONAL PRODUCTS SUCH AS THE WASTE AND TAPS (NOT SUPPLIED) AS PER THE MANUFACTURES INSTRUCTION.

1. MAKE SURE THAT THE CABINETS ARE LEVEL AND FLUSH BEFORE PROCEEDING WITH THIS INSTRUCTION.

YOU MAY NEED TO SOURCE ALTERNATIVE WALL FIXINGS DEPENDING ON THE MATERIAL AND STRENGTH OF THE WALL YOU'RE FIXING INTO.

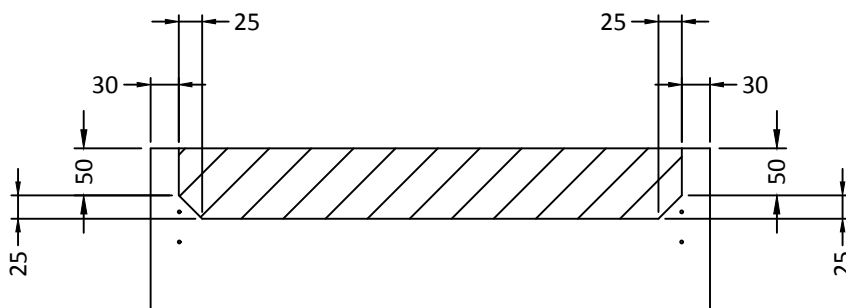
IF ANY FURTHER WORK AROUND THE BASIN NEEDS TO BE CARRIED OUT, SUCH AS TILING OR THE FITTING OF A MIRROR, PROTECT THE CABINET AND BASIN WITH A COVER.



2. THE TOP FASCIA ON THE VANITY UNIT WILL NEED TO BE CUT-OUT TO RECEIVE THE BOWL OF THE BASIN. GENTLY REMOVE THE TOP FASCIA BY SLIDING UPWARDS TO RELEASE FROM THE FIXING BRACKETS.

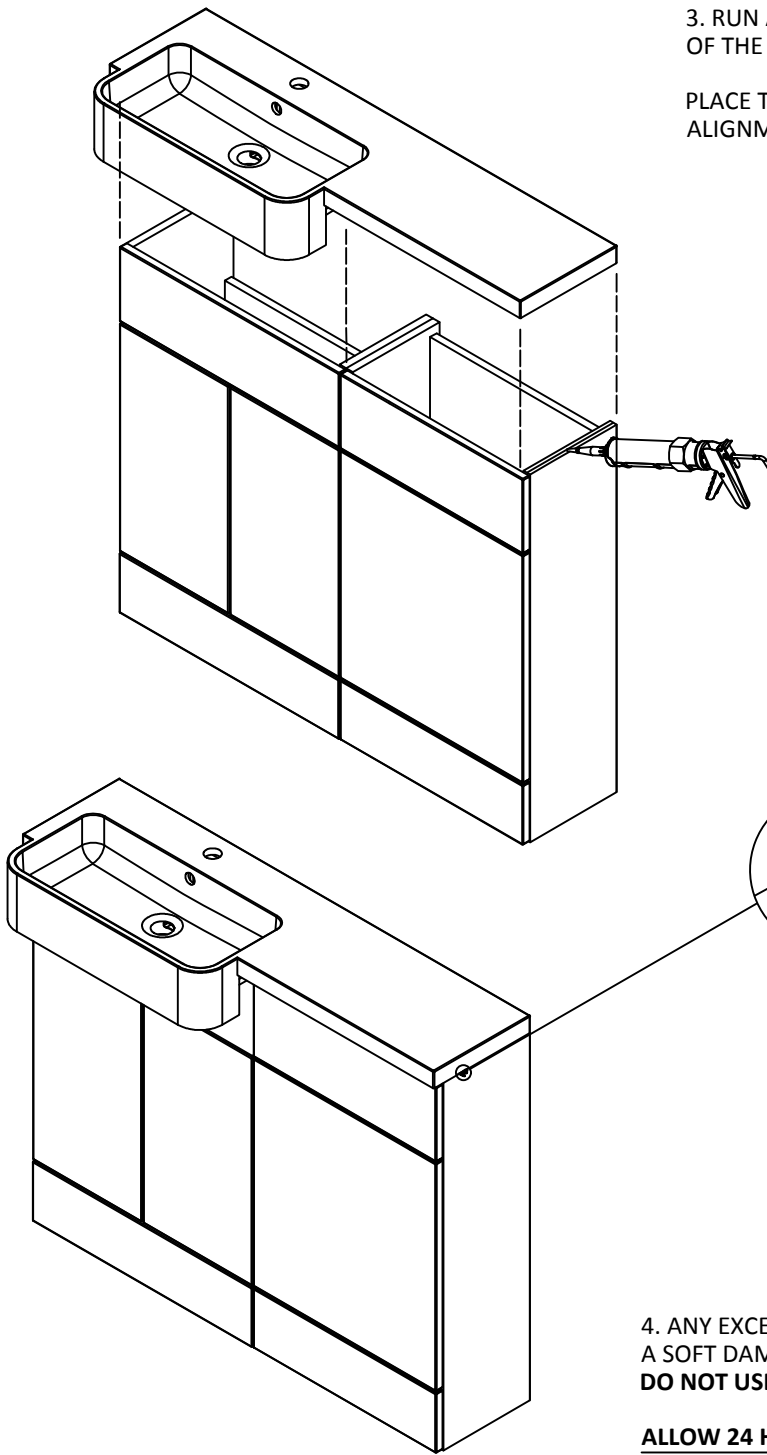
FOLLOW THE DIMENSION TEMPLATE BELOW FOR CUT-OUT DETAIL. IT MAY BE EASIER TO REMOVE THE BRACKETS AT THIS POINT. ONCE CUT, SEAL ALL RAW EDGES WITH A PVA GLUE OR SOMETHING SIMILAR.

RE-FIT THE BRACKETS AND SLIDE BACK INTO POSITION.



3. RUN A BEAD OF SILICONE ALONG THE TOP EDGES OF THE CABINET WHERE THE BASIN SITS.

PLACE THE BASIN ONTO THE CABINET, ENSURING ALIGNMENT IS CORRECT.



4. ANY EXCESS SILICONE SHOULD BE CLEANED OFF USING A SOFT DAMP CLOTH WITH A COMMON DETERGENT.
DO NOT USE AN ABRASIVE

ALLOW 24 HOURS FOR SILICONE TO CURE BEFORE USE.

CARE & MAINTENANCE

CLEAN THE PRODUCT WITH WARM SOAPY WATER OR A VERY MILD DETERGENT.

DO NOT USE DETERGENTS OR ABRASIVE CLEANERS.

SMALL MARKS AND MINOR SCRATCHES CAN BE BUFFED OUT USING A FINE T-CUT COMPOUND.

DO NOT POUR BOILING WATER OR STAND VERY HOT OBJECTS ON THE SURFACE AS THIS CAN DAMAGE THE FINISH.

GENERAL TOLERANCES

PLEASE NOTE THAT THE DIMENSIONAL TOLERANCE OF THIS PRODUCT MAY VARY UP TO 5mm DUE TO THE MANUFACTURING PROCESS.

WE HAVE TAKEN GREAT CARE TO ENSURE THAT THIS PRODUCT REACHES YOU IN GOOD CONDITION. HOWEVER, SHOULD ANY PARTS BE DAMAGED OR MISSING PLEASE CONTACT YOUR LOCAL BRANCH. THIS DOES NOT AFFECT YOUR STATUTORY RIGHTS. IN ADDITION IF YOU REQUIRE REPLACEMENT PARTS YOUR LOCAL BRANCH WILL BE HAPPY TO ASSIST.