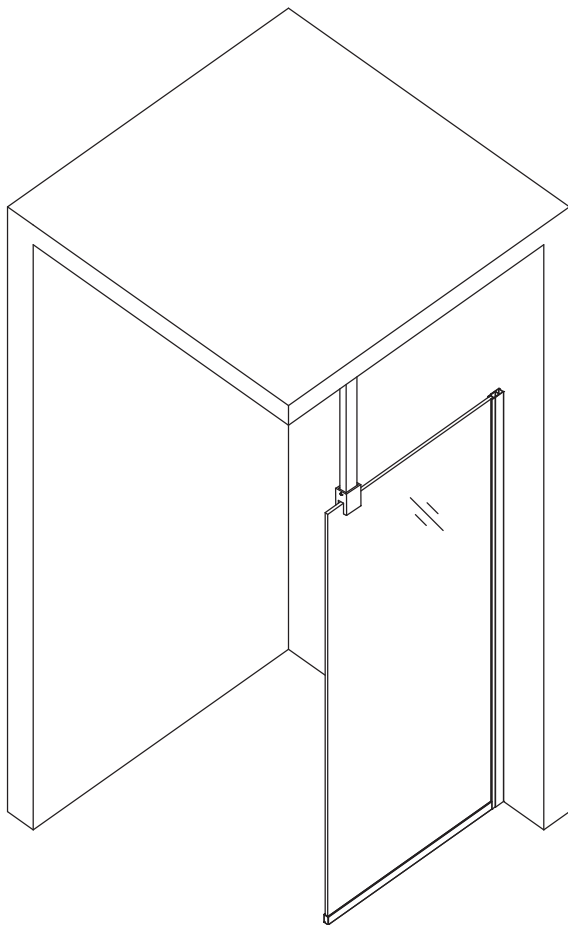


# AREZZO

## Walk-In Glass Ceiling Mounted Arm



## Fitting Instructions

Please follow them carefully and  
leave this manual with end user

# Safety Information for User & Installer

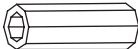
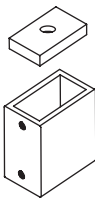

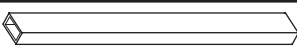
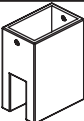
## Before you begin:

1. **We recommend that this product is installed by a qualified tradesperson**, Victorian Plumbing Ltd. accept no liability for products incorrectly installed or any damage to the floor, walls, plumbing, glass screen, or personal injury during installation.
2. Incorrect installation of the enclosure will invalidate the guarantee.
3. Carefully check the product for transport damage prior to installation.
4. Never install damaged panels as there is a risk of spontaneous glass breakage. The supplied fixings/wall plugs are only for mounting directly on solid walls.
5. It is essential that the solid, masonry/walls be inspected for adequate load-bearing capacity prior to every installation. The supplied fixings/wall plugs are not for use with stud walls such as plaster board, wood, metal or fiber board.
6. Always seek professional advice to confirm wall type and appropriate type of fixing to be used for installation. Always check walls for concealed utility lines (power, gas, and water) prior to drilling the fixing holes.

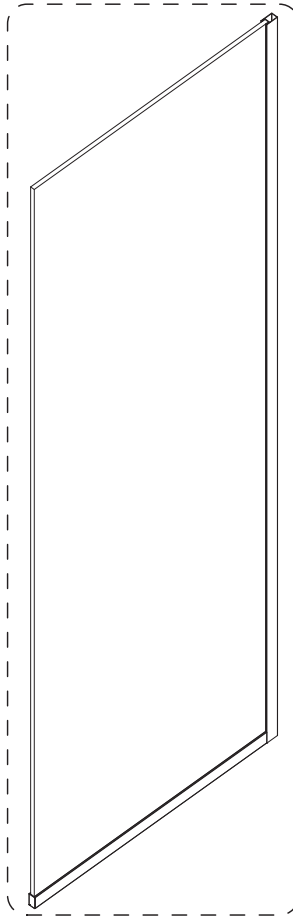
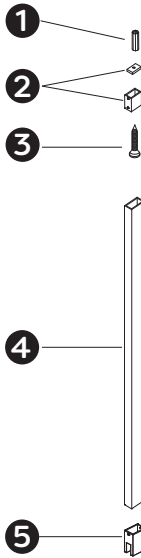
## Special information on handling glass:

1. **Always** protect all glass edges from damage.
2. **Never stand the glass on its corners throughout the installation!** Place the packing material beneath the glass panel; never place the glass on tiles, concrete floors or similarly hard surfaces.
3. It is mandatory to check each glass panel for damage prior to installation. Never install damaged glass panels as this could cause spontaneous glass breakage!
4. If the glass panel is damaged during use, it must be replaced without delay. **(Failure could cause a risk of spontaneous glass breakage!)**

## Items included:

No.	Description	Picture	Qty
1	D6x30		1
2	X01		1
3	ST4x30		1
4	B01		1
5	X02		1

## Diagram:



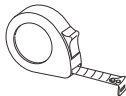
Glass Screen  
\*Not Included\*

## Tools Required (Not Included):

\*Ensure the appropriate PPE is used during installation\*



Pencil



Tape Measure



Drill



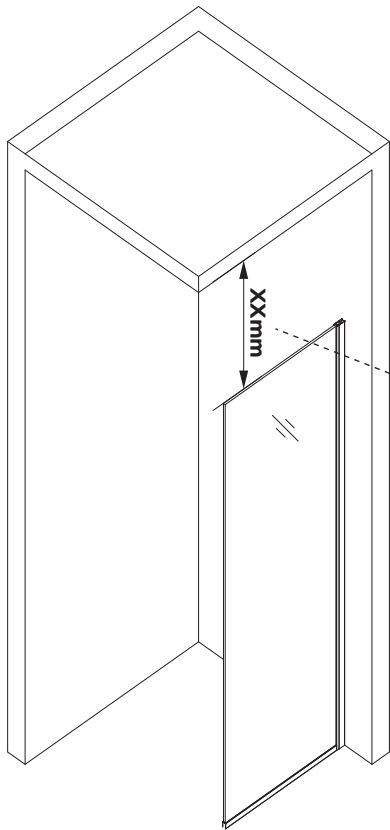
Screw Driver



Spirit Level

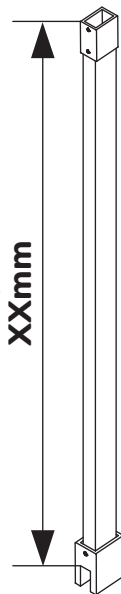


Silicone



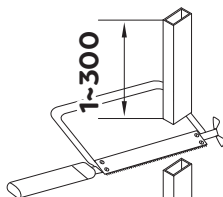
### Step 1:

- Measure the height from the top edge of the screen to the ceiling. Then measure the total length of the ceiling mounted arm as shown in the diagram below.

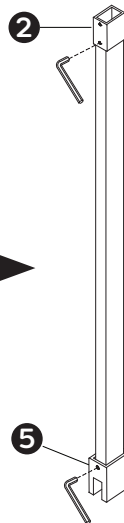


### Step 2:

- Establish the length of the arm required to fit to the ceiling correctly. (Accounting for the height of the fixing bracket and screen holder)
- Using a handsaw, carefully cut the excess length of the arm bar. File off any Burr from the edge of the arm after cutting.
- Re-Attach the fixing bracket and clamping bracket to the arm bar.

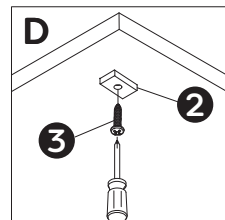
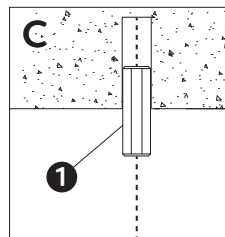
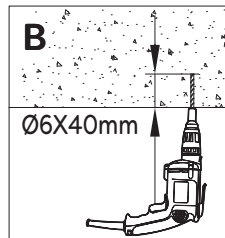
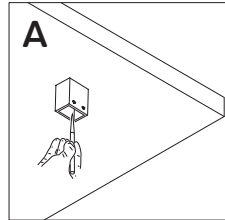
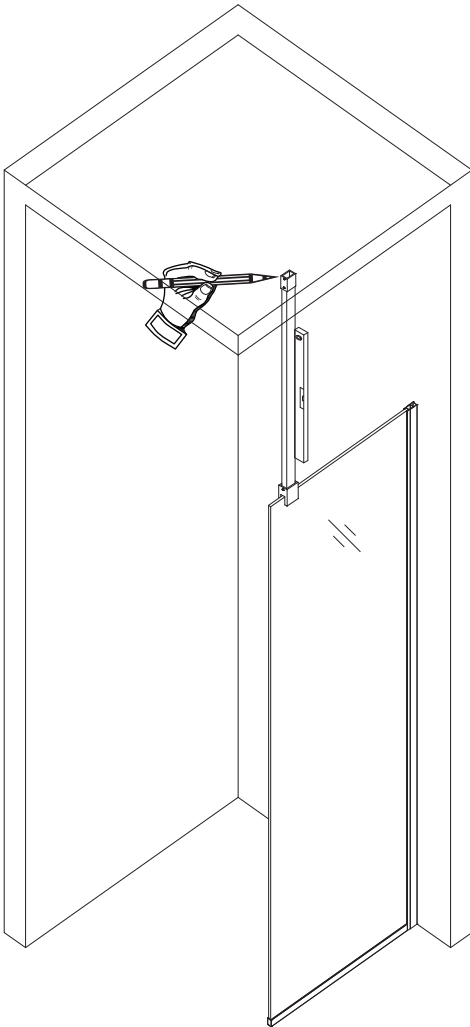


4



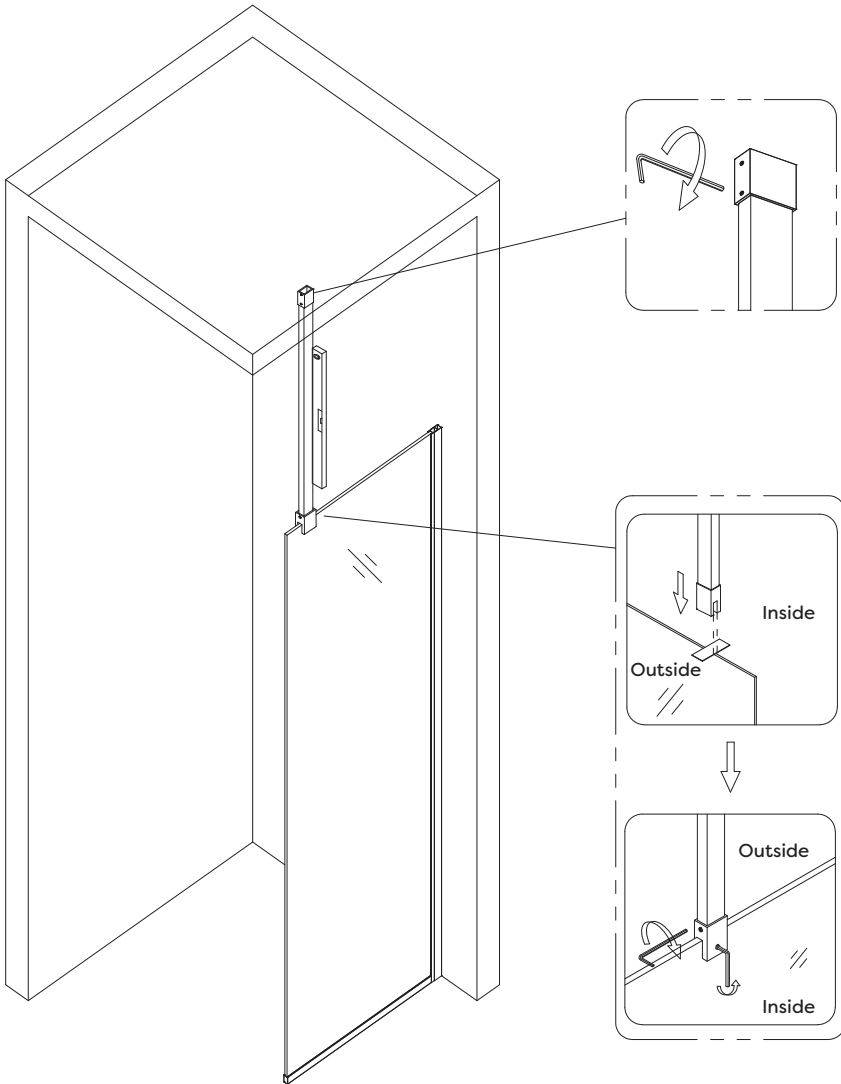
### Step 3:

- Position the ceiling arm in the desired position on the ceiling, then mark the positions ready for drilling. Ensure the markings are in-line with the glass screen.
- Place the arm to one side. Using an appropriate sized drill bit, carefully drill a hole in the ceiling. Ensure that there are no hidden pipes or cables behind the marking on the ceiling. Insert the ceiling plug provided into the drilled hole.
- Remove the fixing plate from the fixing bracket, place the fixing plate over the ceiling plug and secure into place using the screw provided. Ensure the bracket is level using a spirit level.



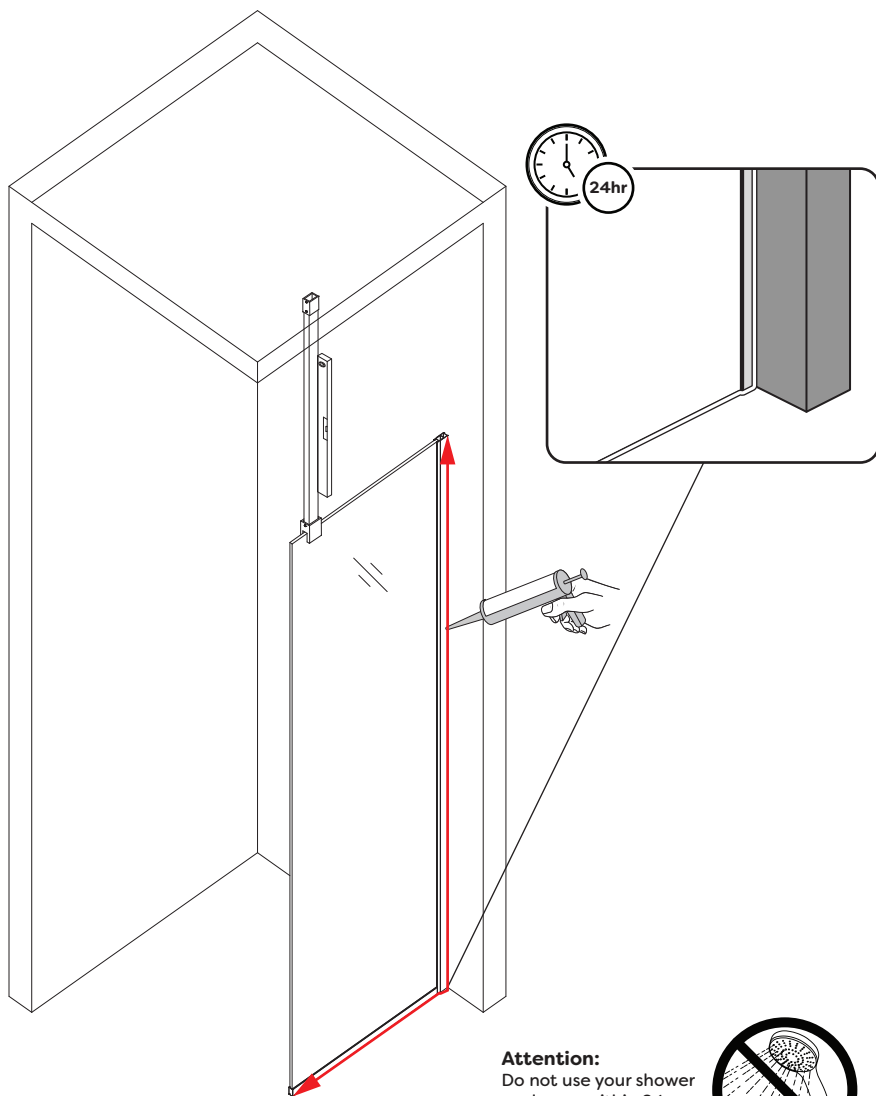
#### Step 4:

- Mount the ceiling arm over the fixing plate and glass screen. Ensure the clear silicone rubber strip is in-between the glass screen and the clamping bracket to avoid damage to the glass. Using the Allen key provided secure the arm bar into position by screwing the grub screws (be careful not to over-tighten).



## Step 5:

- Pipe a fine bead of good quality silicone sealant along the upright outer edge of the profile and bottom of the panel (including where the screen and the profile meet.)
- Wipe away any excess silicone with a damp cloth and allow 24 hours for the sealant to fully dry.



**Attention:**  
Do not use your shower enclosure within 24 hours of assembly.



## **Cleaning:**

Always clean the surface of arm to keep it bright. **Attention:** please do not use inappropriate tools such as sharp brushes, rough sponges, scouring pads or corrosive detergent to clean the arm. Please clean the arm by wet cloth and soapy water. Then rinse the soap out with clean water and dry with a soft cotton cloth.

## **Prevent damage to glass or operation of the product:**

1. Ensure that no objects obstruct the glass panel.
2. Avoid hitting the panels with hard objects or tools during assembly. Damaged panels must be replaced as failures may cause latent glass breakage.
3. Do not use panels or handles to hang or support items such as drying towels or clothes.

## **Recycling and Disposal:**

Please recycle the packaging in accordance with your local government regulations on waste handling, and follow the same advice at the end of the products life.