

Beautifully  
Traditional

ARCADE™

Arcade 1000mm walkin screen for corner installation - nickel

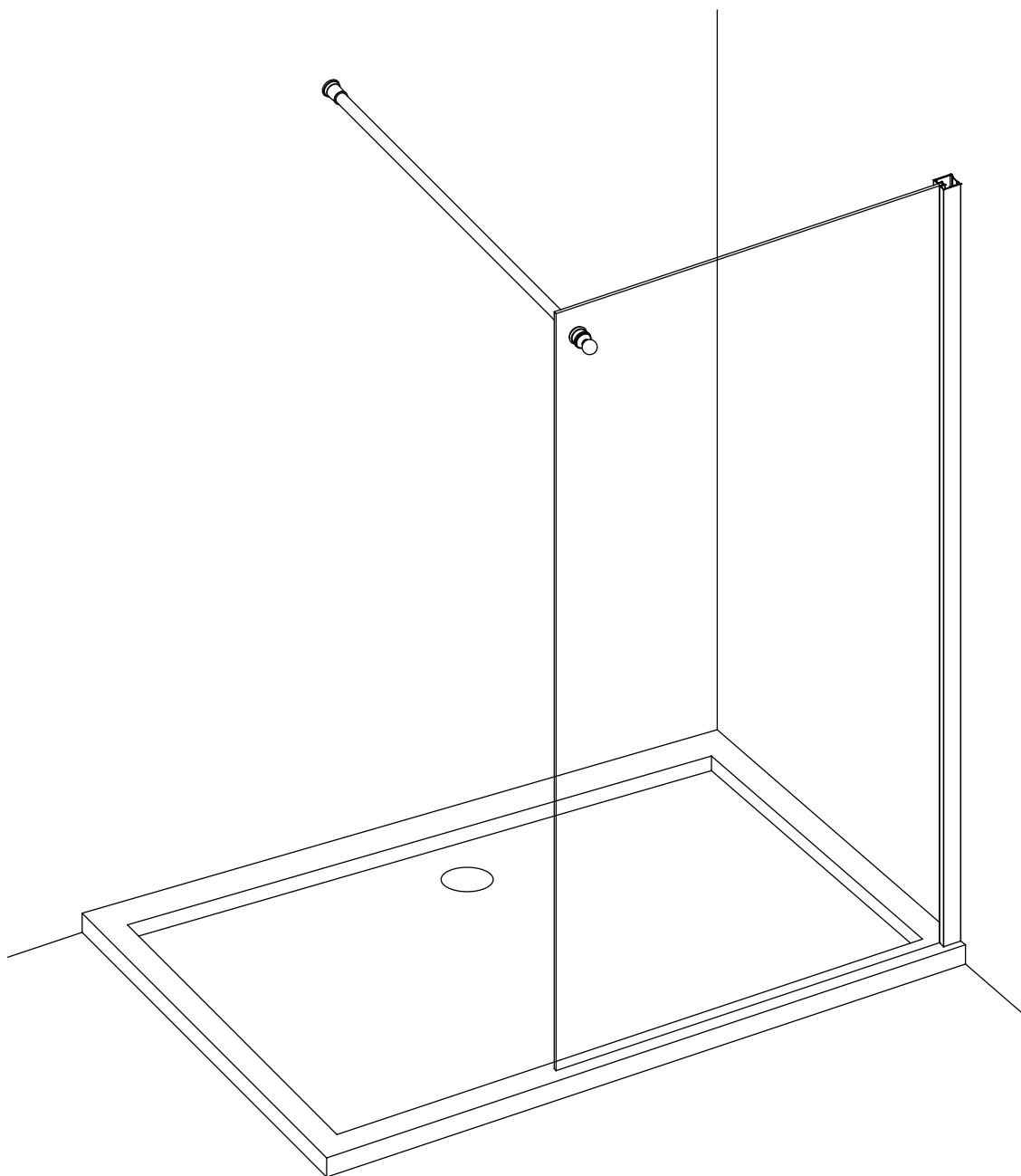
ARC54

Arcade 1200mm walkin screen for corner installation - nickel

ARC55

Arcade 1400mm walkin screen for corner installation - nickel

ARC56



INSTALLATION INSTRUCTIONS

### IMPORTANT - Please read before installation

Please read these instructions carefully before starting installation and keep in a safe place for future reference.

Check the contents of the pack carefully before installation. Arcade will not be held responsible for any de-fit / re-fit costs where faulty product has been fitted.

If any fault is found with materials or workmanship, it must be reported immediately to the manufacturer. Remedial action will be taken, based on information received, on condition that:

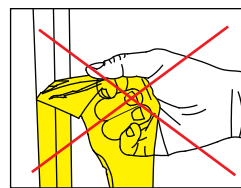
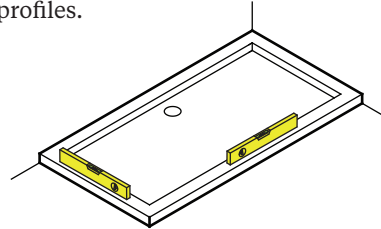
1. Full details are supplied to the manufacturer;
2. The enclosure has not been modified or tampered with;
3. The manufacturer is informed of any damage/shortages prior to installation.

We do not accept responsibility for any problems that may occur through incorrect installation.

The success of the installation and operation of any shower enclosure is, of course, dependant on the squareness, alignment and construction of the walls to which fixing is to be carried out.

#### VERY IMPORTANT

You must complete all tiling and grouting, and the shower tray **MUST** be level and fully sealed to the tiles before installation. If you do not fit the enclosure onto a tiled surface, or seal the tiles to the tray before installation, water may soak into the wall behind the wall profiles.



Yellow protective plastic film has been placed on the metal profiles. This film should not be removed until installation is complete. This is to protect the plating finish and prevent profiles being scratched during fitting.

A pair of gloves are also provided to wear during installation, this will reduce oils and silicon stains being transferred during installation.

### INSTALLATION - Advice and safety

The installation instructions are based on typical use and conditions.

Please follow the installation instructions relevant to your enclosure.

These hints have been prepared for your guidance, you must exercise due care at all times.

For Health and Safety 2 people must carry out the installation of this enclosure.

Handle glass with care.

Although the glass supplied is toughened safety glass (EN12150), impacts can damage both the glass and the frame.

#### Warning!

Please check for any hidden pipes or cables before drilling holes in the wall.

To stop the drill bit slipping, masking tape can be applied to the tiles when preparing the holes.

When using power tools always follow the manufacturers user instructions.

Do not sit the enclosure on a bed of silicone, as this will also stop any water from draining back into the tray.

**DO NOT SEAL THE ENCLOSURE TO THE TRAY ON THE INSIDE.**

If the enclosure is sealed to the tray on the inside, any water that may get into the framework will not be able to drain back into the tray, this may cause the enclosure to leak.

Leave the silicone sealant to dry for 24 hours before using the enclosure.

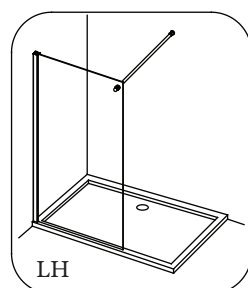
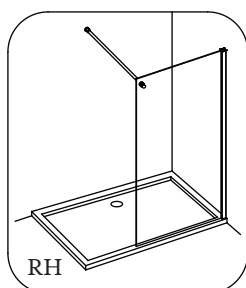
### CARE AND CLEANING

Do not use solvents or abrasive material or chemicals to clean the enclosure.

Only clean using soapy water and a soft cloth, rinse thoroughly afterwards.

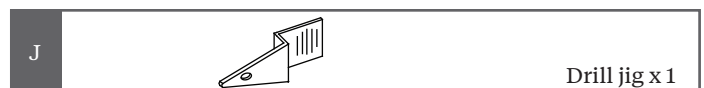
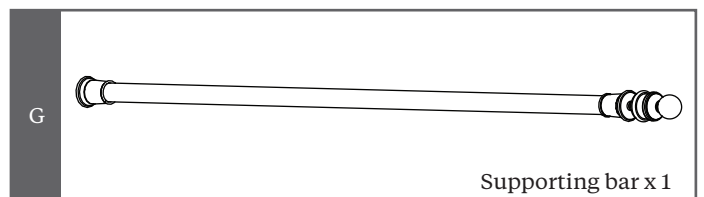
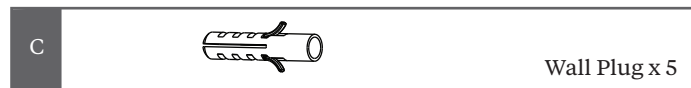
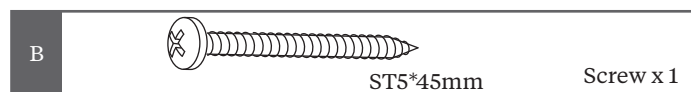
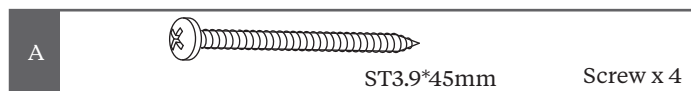
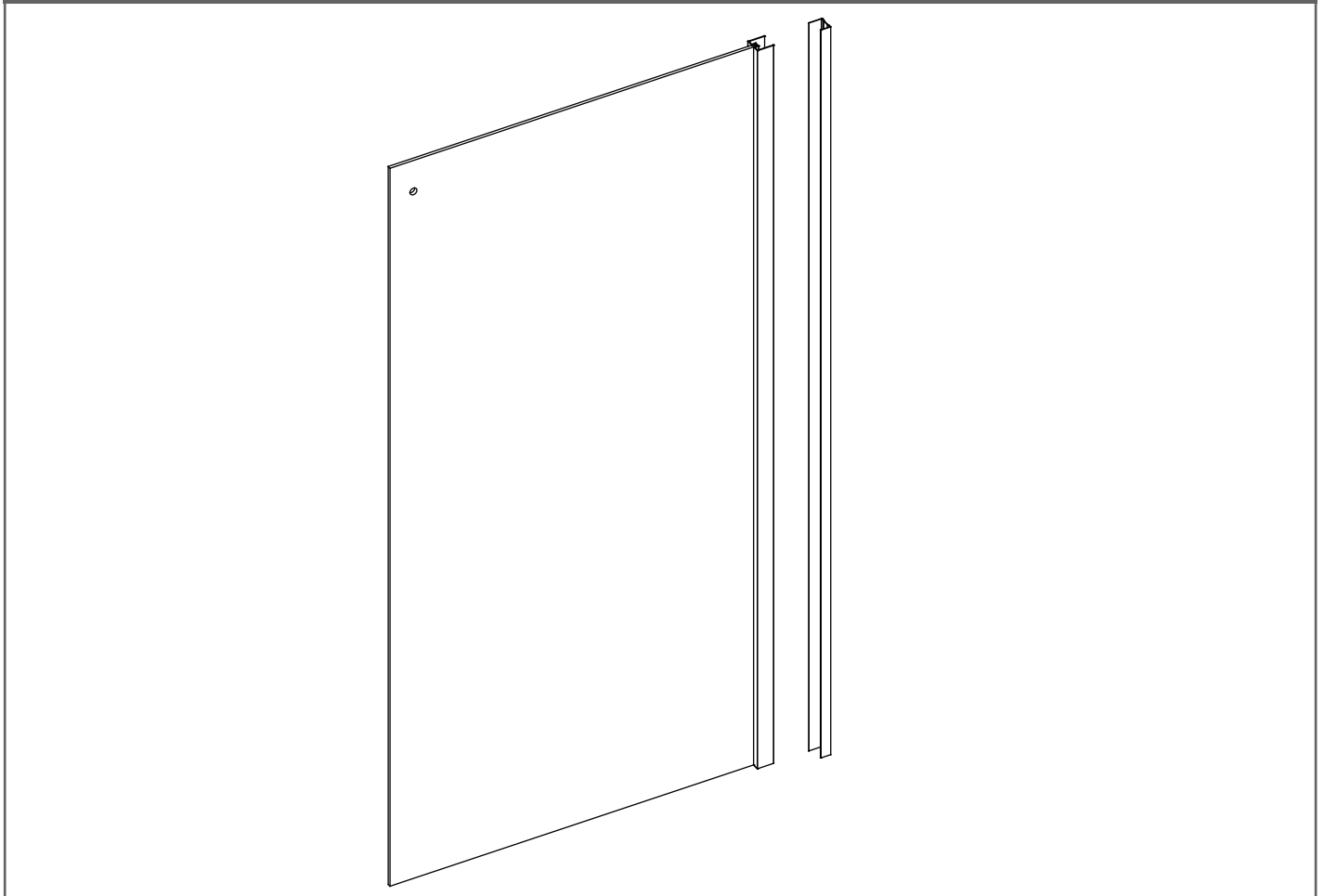
### INSTALLATION - left & right

These products are reversible for left or right hand fitting, simply turn the door or panel up side down.



CONTENTS

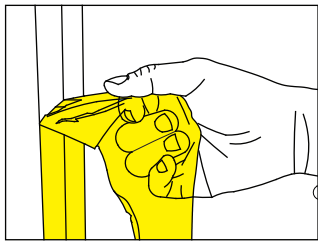
DOOR



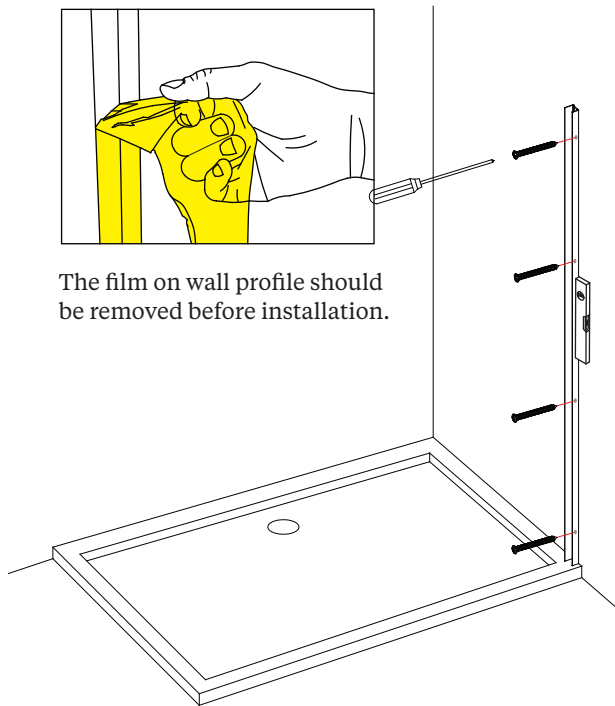
Tools and equipment needed

Drill, 6mm Masonry drill bit, 3.2mm General drill bit, Philips screwdriver, Slotted screwdriver, Spirit level, Pencil, Tape measure, Silicone sealant.

Step 1 - FITTING AND POSITIONING WALL CHANNEL



The film on wall profile should be removed before installation.

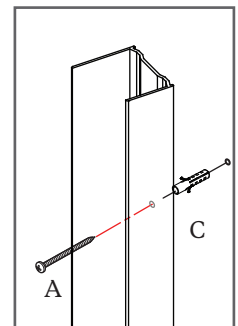
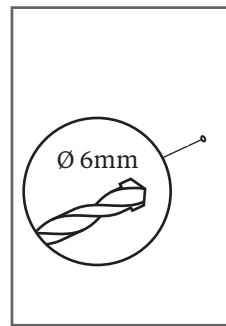
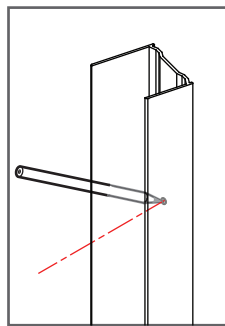


Place wall channel in position on the tray (10 - 15mm in from the outer edge of the tray), use a spirit level to ensure that they are vertical and mark all 4 fixing holes onto the wall.

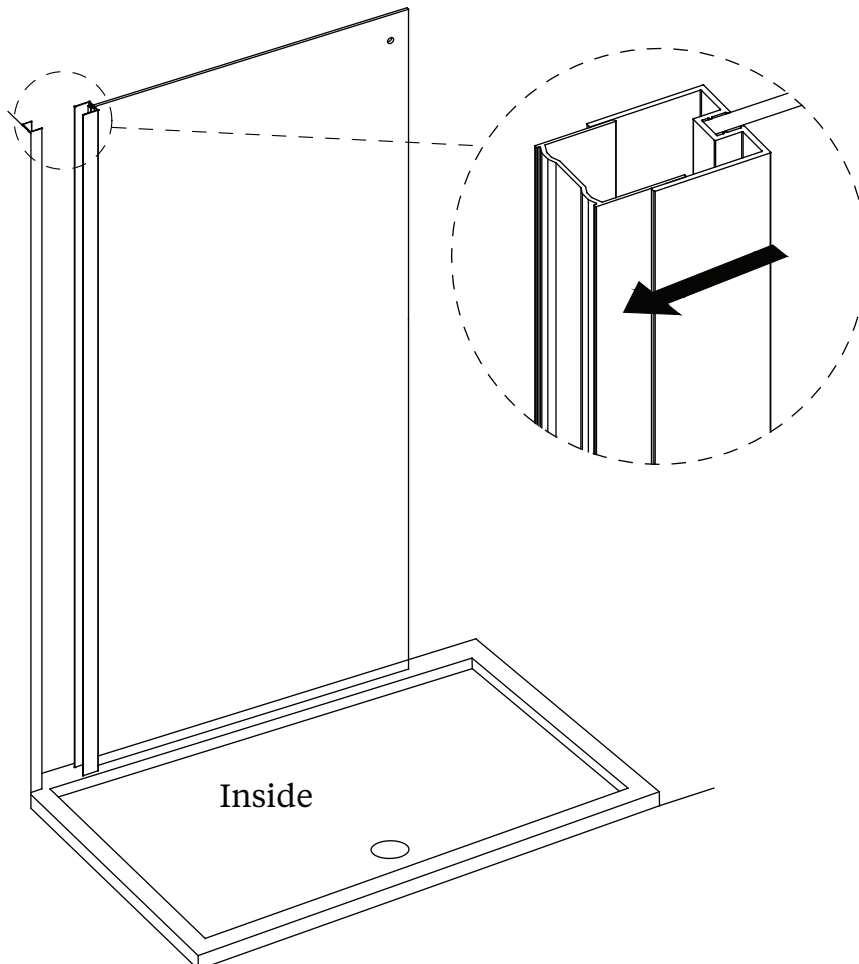
Drill holes in the positions marked using a 6mm masonry drill bit. Insert wall plugs (C) into all of the holes (beyond the thickness of the tile).

Fix the wall channel to the wall using screws (A).

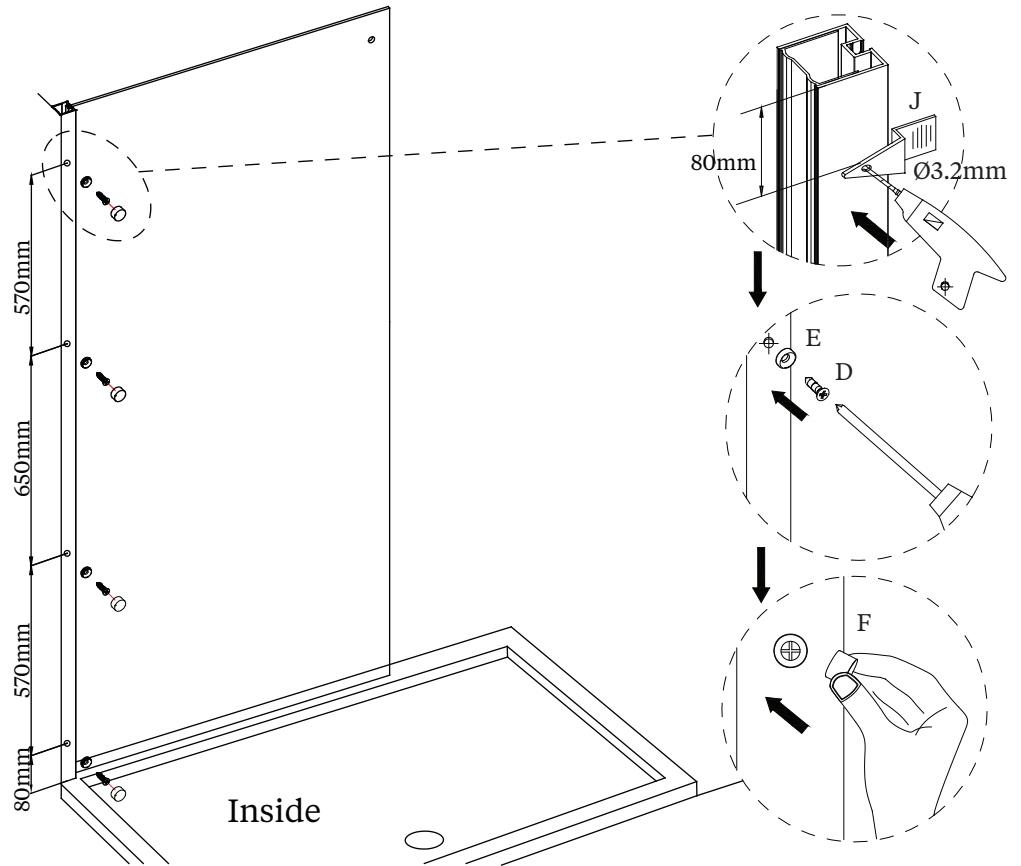
*Note: Inject silicone sealant into the holes before inserting the screws to seal the holes.*



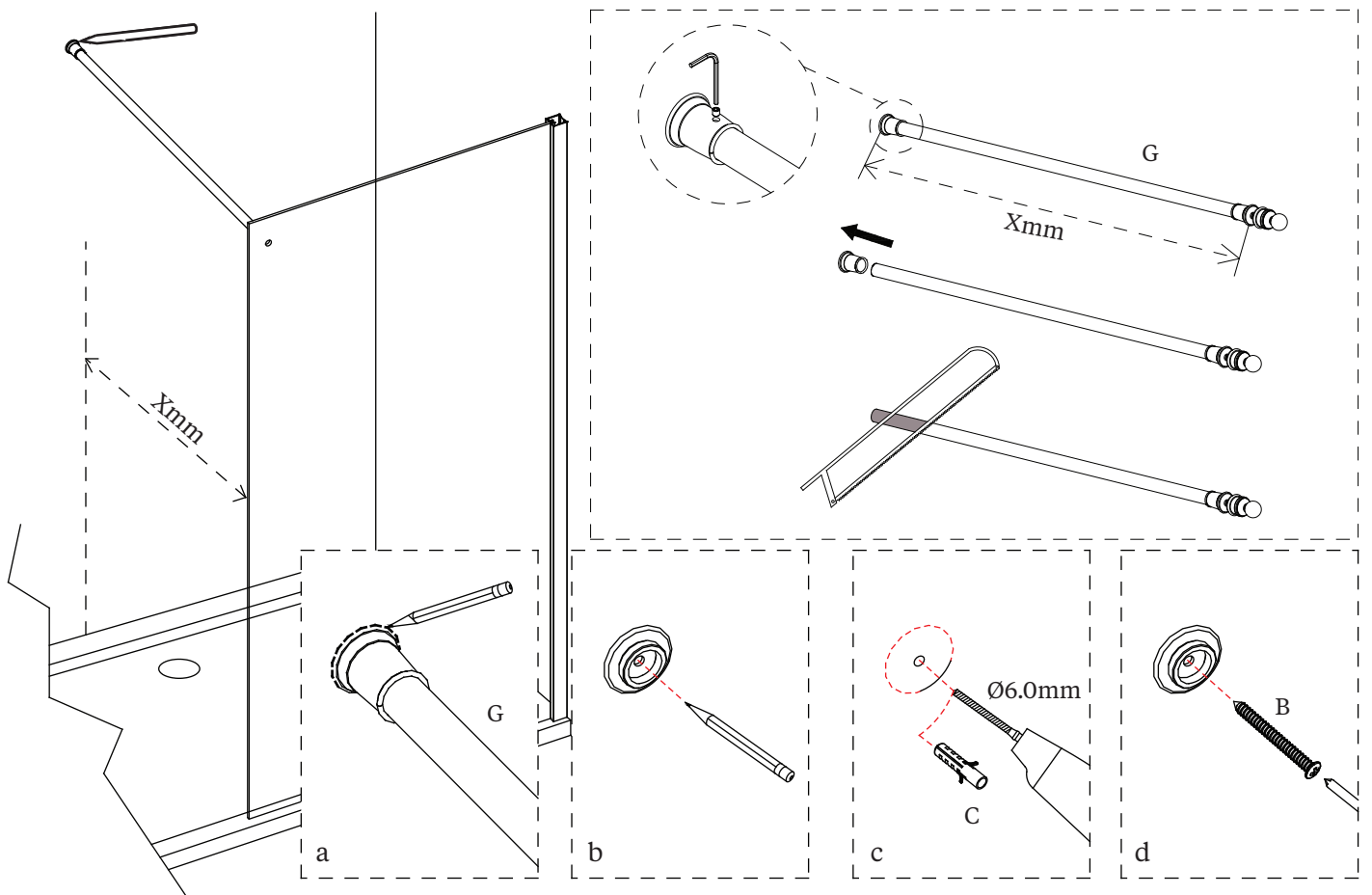
Step 2



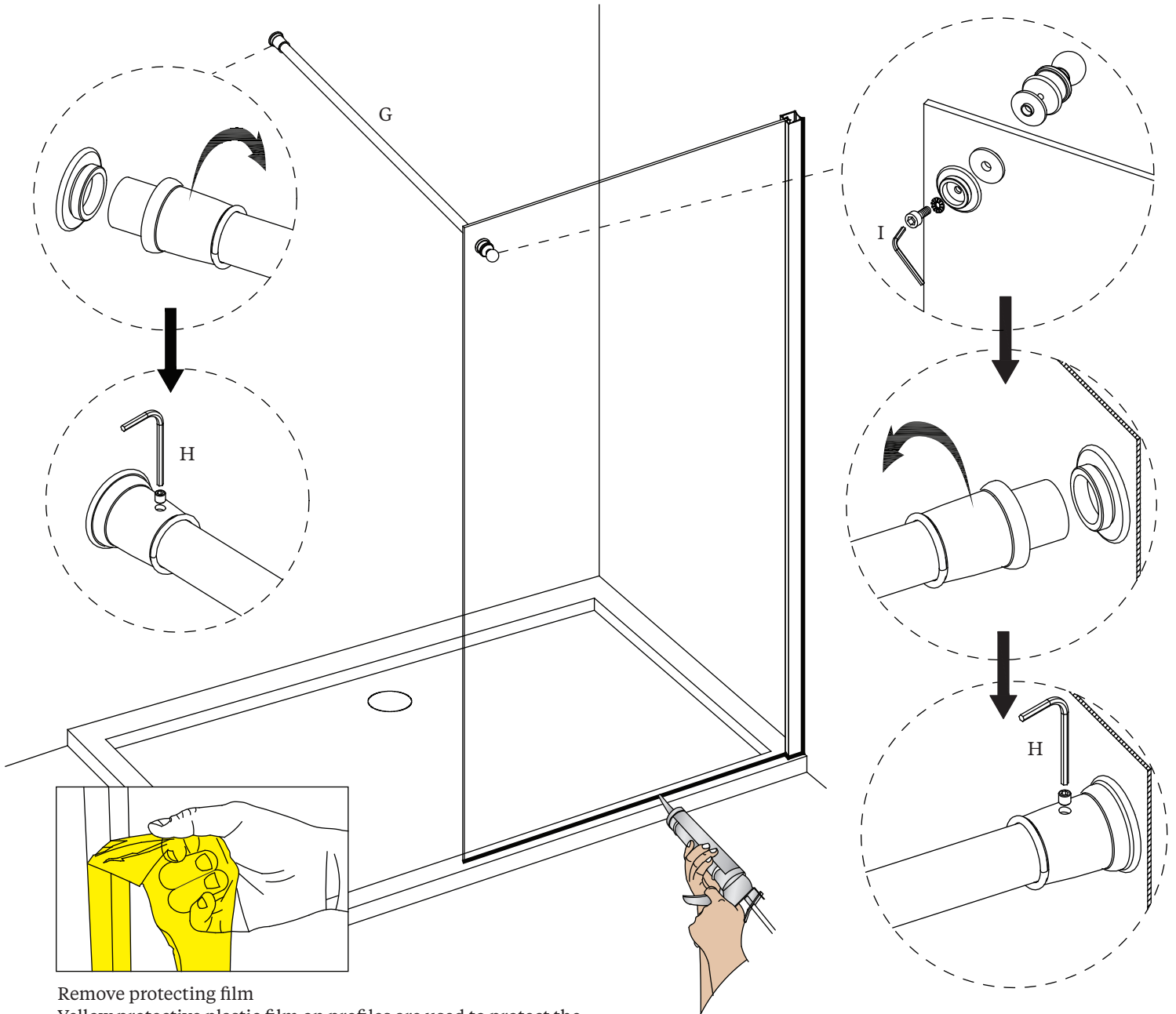
Step 3



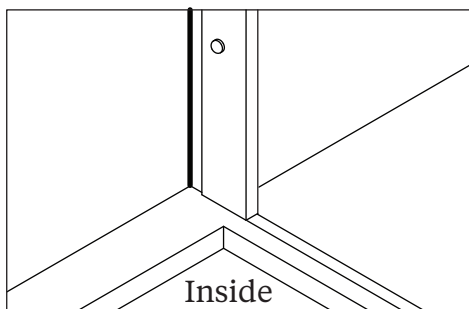
Step 4



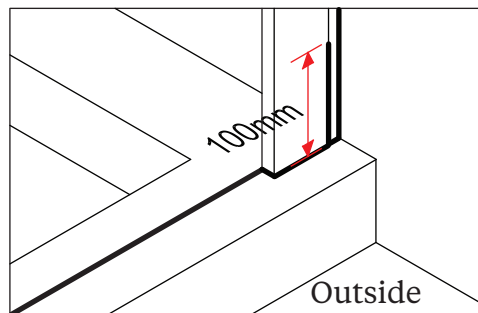
Step 5



Remove protecting film  
Yellow protective plastic film on profiles are used to protect the plating finish to avoid scratching during installation. Please remove them before sealing.



**Sealing inside:**  
Run a line of silicone sealant from top to bottom down the joint between the wall channels and tiles.  
*Do not seal the enclosure to the tray on the inside.*



**Sealing Outside:**  
Run a line of silicone sealant from top to bottom down the joint between the wall channels and tiles.  
*Note: If required you can also run a line of silicone sealant 100mm up the joint where the door slots onto the wall channels.*

