

ARCADE™

Arcade three fold bathroom mirror - nickel plated brass frame ARCA45 NKL

Instruction

Please read these instructions carefully and keep in a safe place for further reference.

The product is 100% brass nickel plated with nickel plated stainless steel screws and brackets.

The product should be cleaned with soapy water followed by rinsing with clean water and drying with a soft cloth. All finishes are vulnerable to acid attack and some strong substances such as household cleaners, disinfectants, denture cleaners, hair dyes, wine making and photographic chemicals can cause the surface to go black or peel.

Maintenance

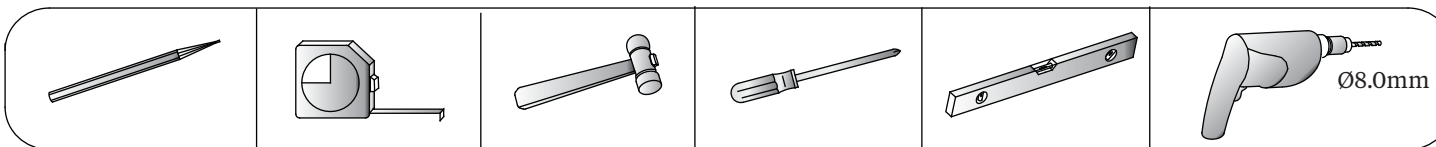
Avoid scratching the surface with hard objects, and do not use a coarse cloth to wipe.

The product should be installed by a professional, following the recommended installation instructions.

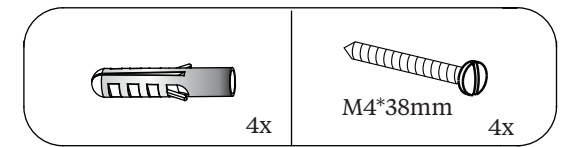
Installation Instruction

Please follow the below diagrams to install the mirrors onto the wall.

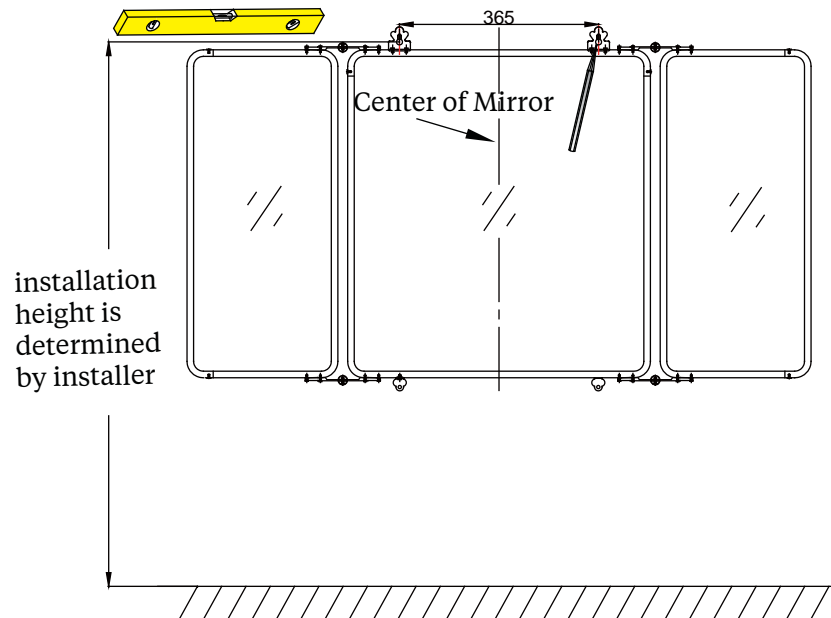
Tools required:



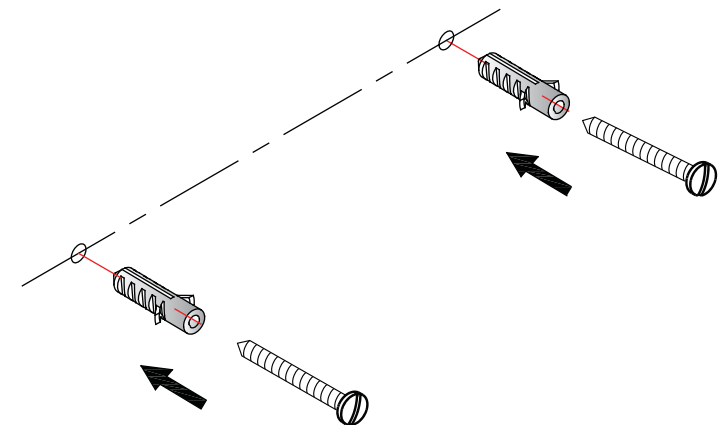
Parts supplied:



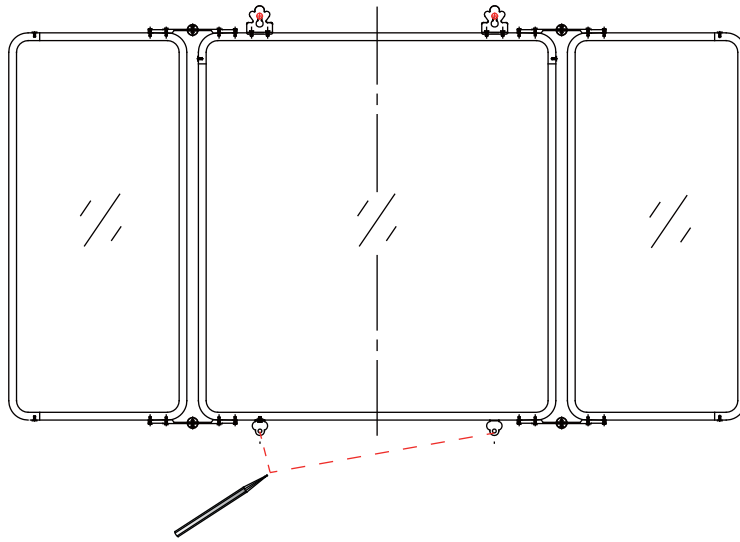
- ① Determine the final installation position, mark the fixing hole positions.



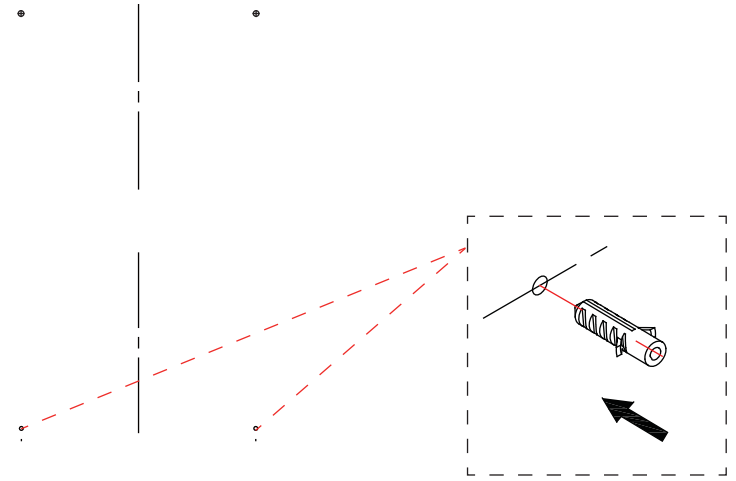
- ② Using a 8mm drill bit, drill holes on the marked positions. (note: In the event that the wall fixings supplied being inappropriate for the wall, please source alternatives).



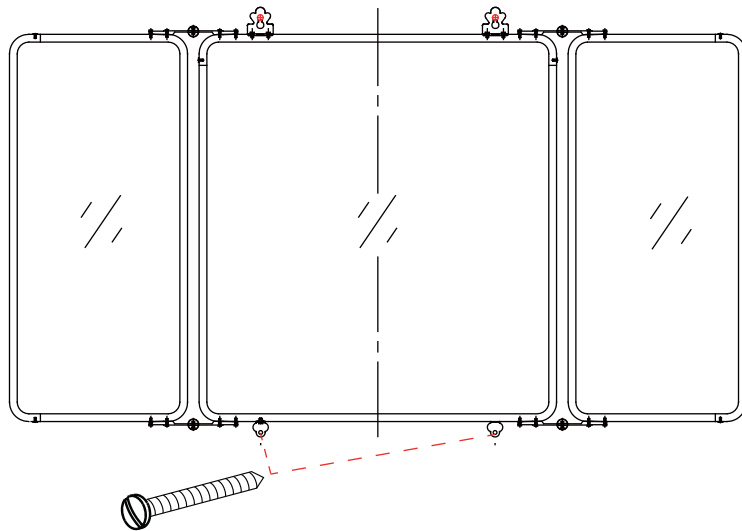
- ③ Temporarily mount the mirror onto the wall, then mark the fixing hole position of two bottom brackets.



- ④ Using a 8mm drill bit, drill holes on the marked positions. (note: In the event that the wall fixings supplied being inappropriate for the wall, please source alternatives).



- ⑤ Mount the mirror onto the wall, then fix the two bottom brackets with 2 screws onto the wall.



- ⑥

