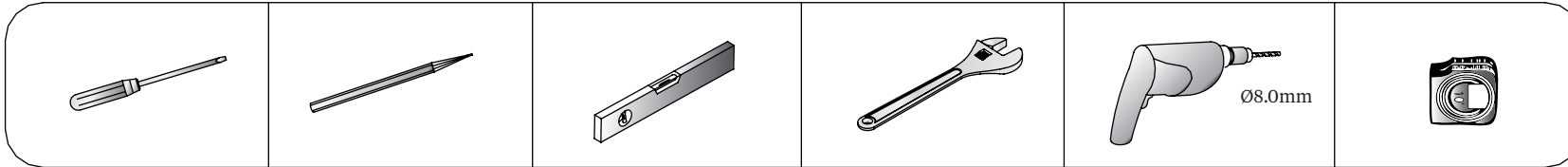
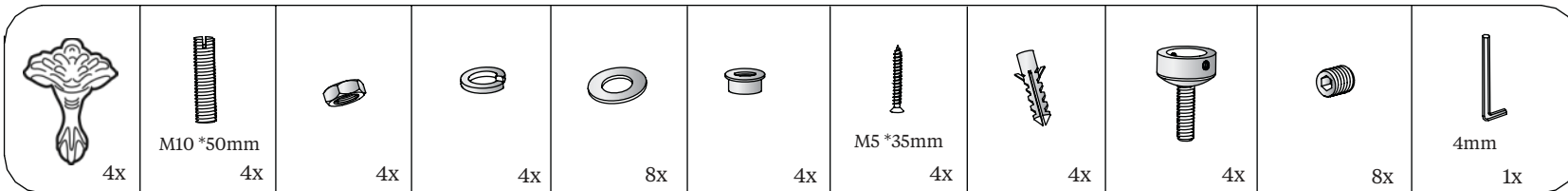




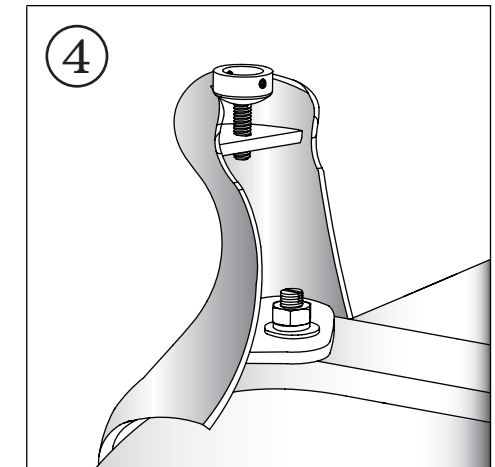
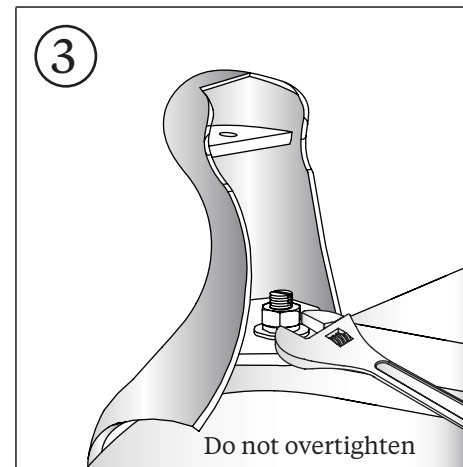
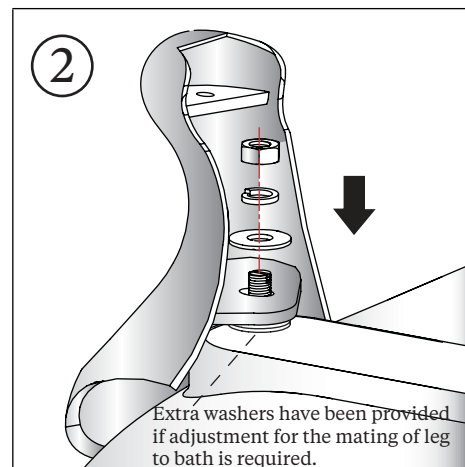
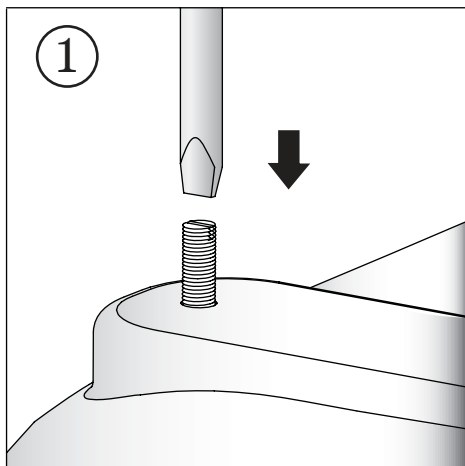
Tools required:

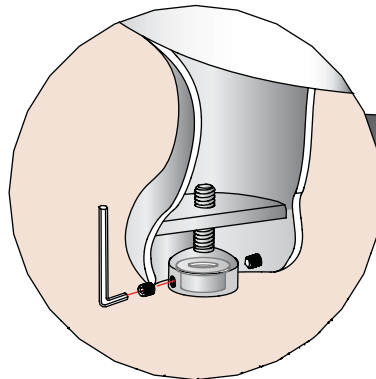
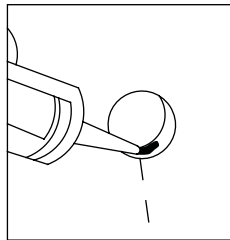
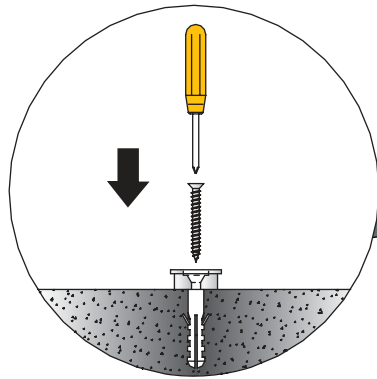
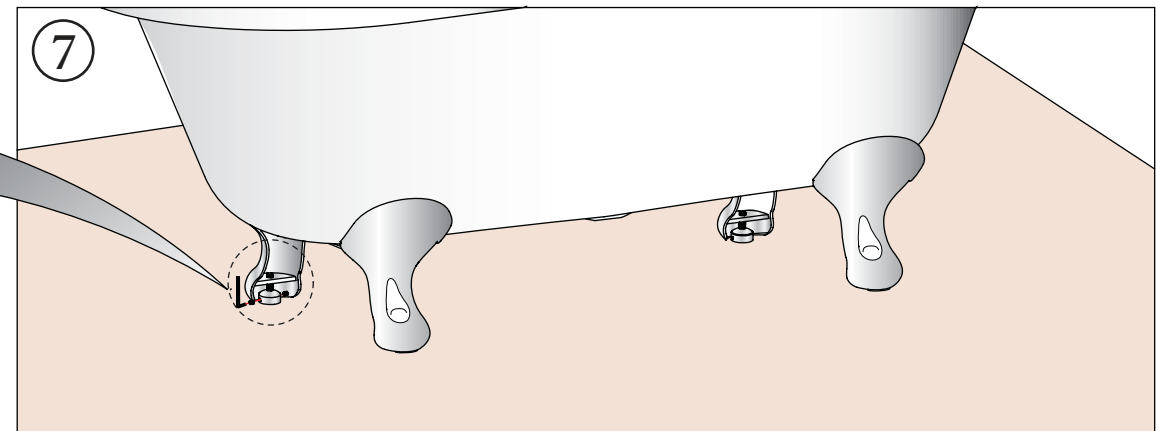
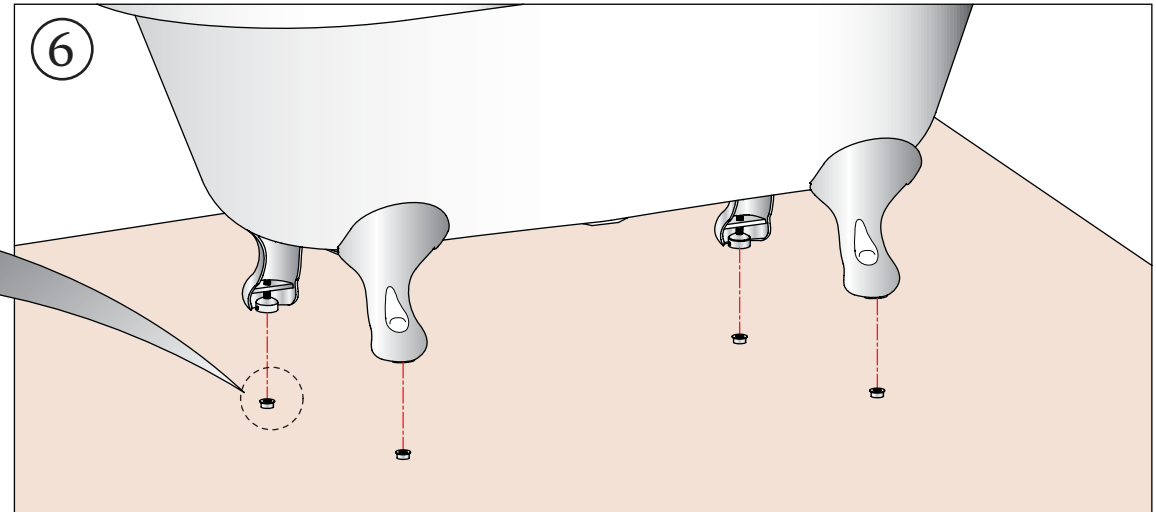
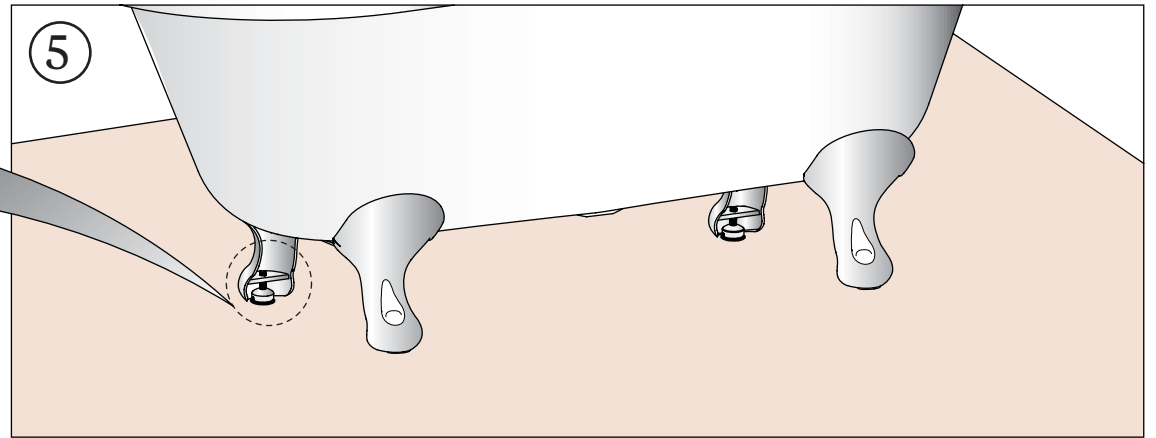
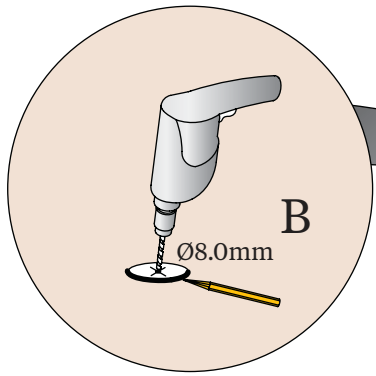
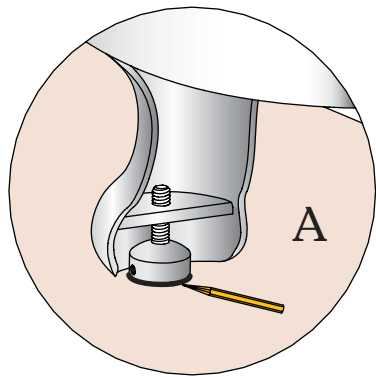


Parts supplied:



- Prior to installation check that all parts have been supplied.
- Assemble bath on a mat to protect against damage to bath surface.
- Bath diagram shown below is for reference only and bath legs fit to all baths.
- This product requires a two person lift - use proper lifting techniques.
- This installation guide does not include details of waste connection; final decision about installation of waste connection should be taken by a suitably qualified person.
- Follow each step in turn.





Once the bath is in the general position ready to be plumbed in, we suggest fitting the waste and overflow to the bath. Before you do this Burlington insists you smear silicone sealant around the inside of the overflow and waste to ensure a totally water tight seal. This is shown in the diagram above.

## INSTALLATION INSTRUCTIONS

Complete Fire Hydrant (including outlet extension, waste extension and cover plates for overflow hole) - nickel

- ARC40

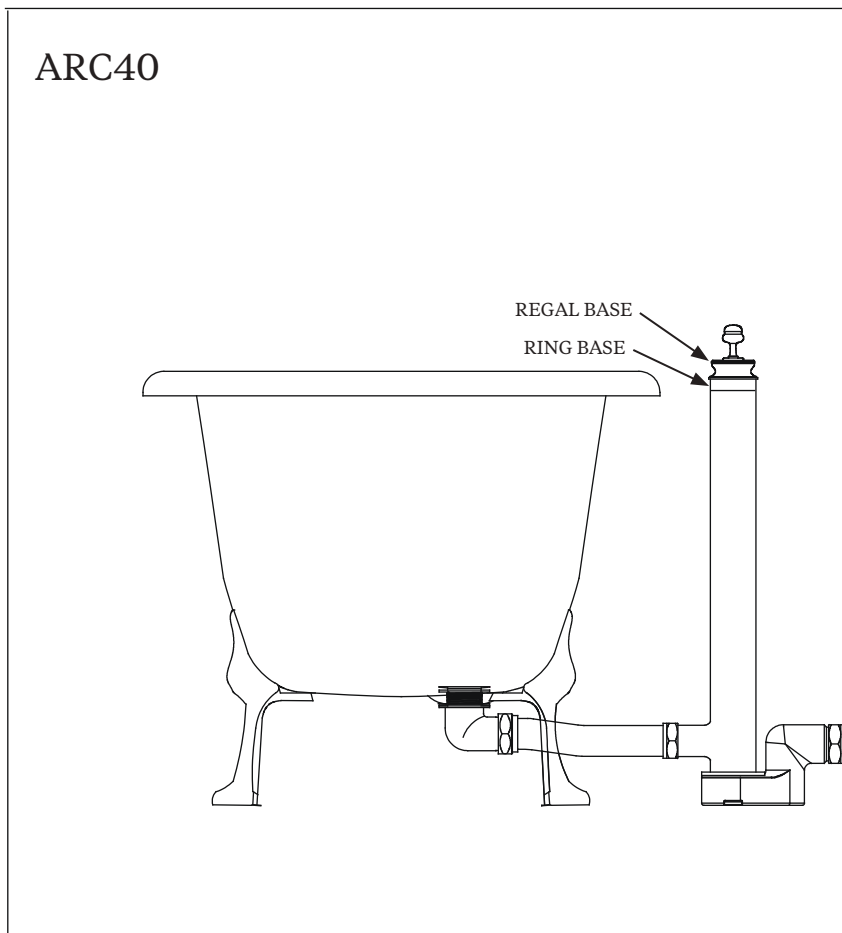
### Important

- We recommend that this product is installed by a qualified professional contractor. Such as a plumber who is certified by NVQ (National Vocational Qualification) or SNVQ (Scottish National Vocational Qualification) Level 3.
- Please check this product immediately to ensure that it has not been damaged and is complete. Before installation, please make sure this product is the correct model and you have all the parts required for installation and using.
- Turn off water supply before commencing work, this should be done at the isolating valves of inlet feeds if fitted or main stopcock.
- Please read these instructions carefully and keep it for future reference.

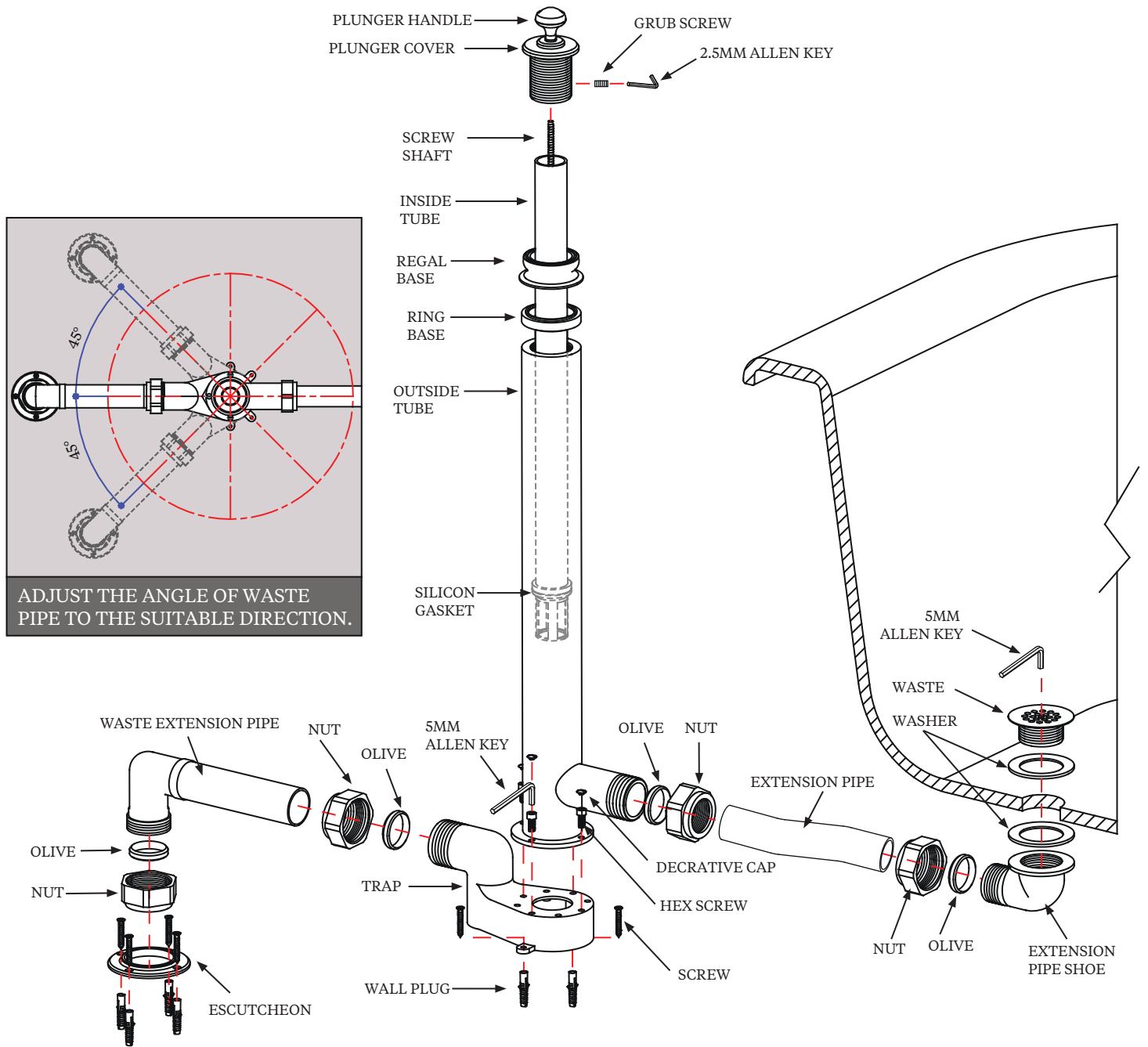
### Maintenance

We do NOT recommend you use any household cleaners to clean the product. Because these cleaners change substance or formula too frequently. The product should be always cleaned only with soapy water and rinsed with clean water and dried with a soft cloth.

### Installation



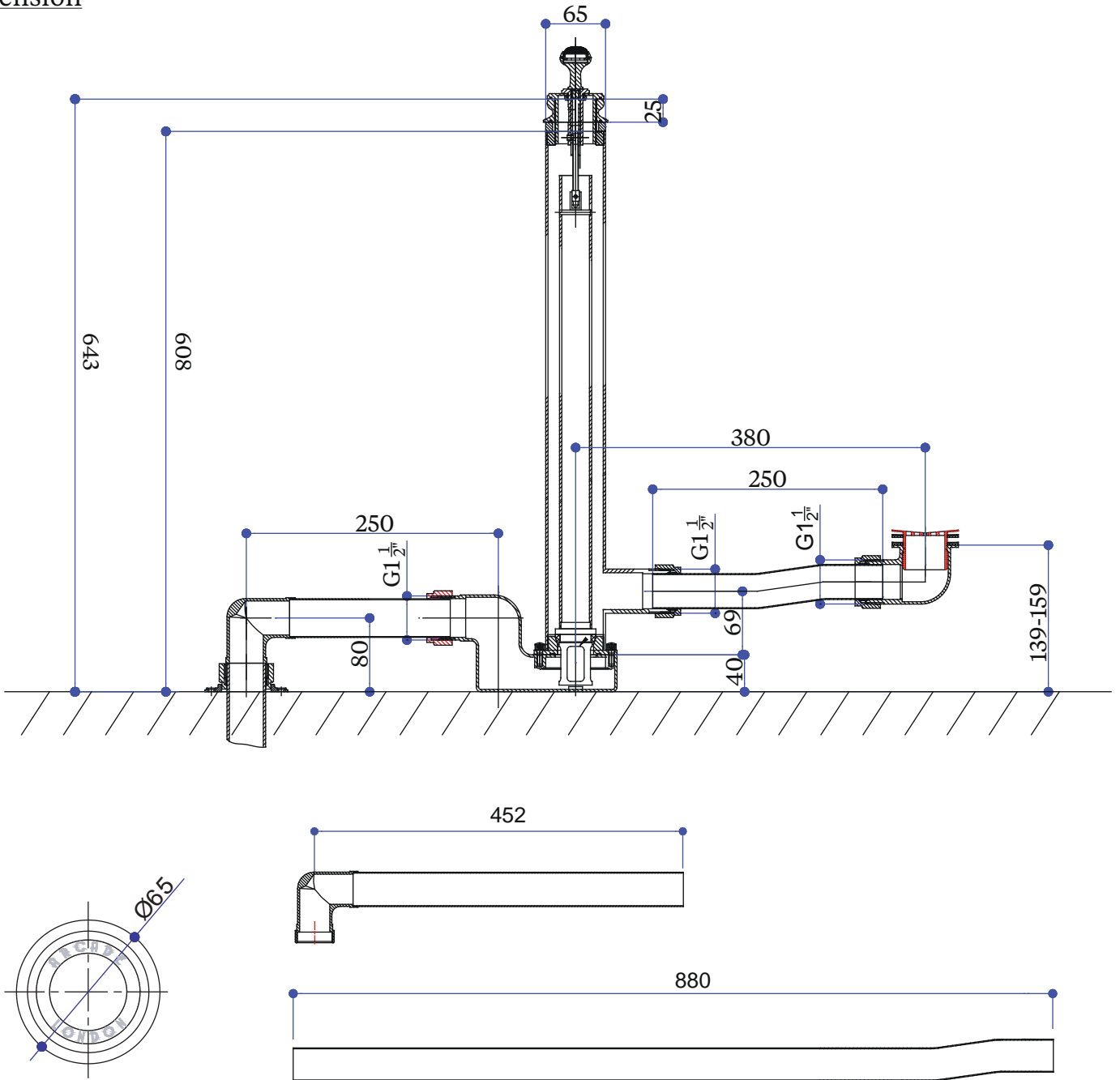
# Installation



To install the waste outside the bath.

- A) Insert the plunger cover into the Regal Base and the Ring Base.
- B) There is a screw shaft on the top of inside tube. Screw the inside tube on the plunger cover. Use Allen Key to fix the grub screw.
- C) Slide the inside tube into the outside tube.

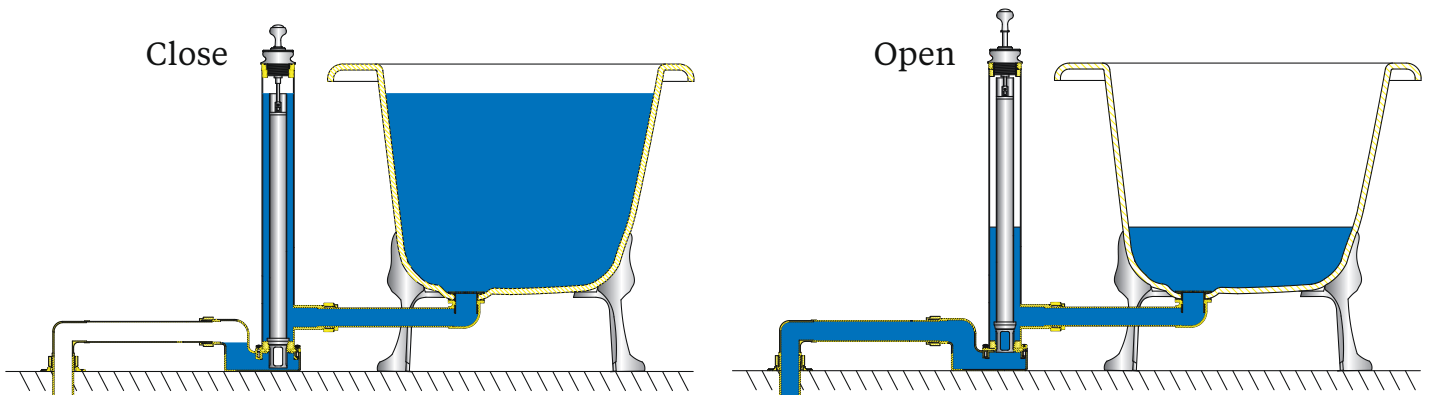
## Dimension



Based on the different installation condition, you may need the outlet extension, waste extension and cover plates for overflow hole included in the complete Fire Hydrant box. The cover plate kit is designed for baths with pre-drilled overflow hole.

## Operation:

To Operate the Waste lift and turn to open, lift and turn to close.

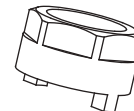
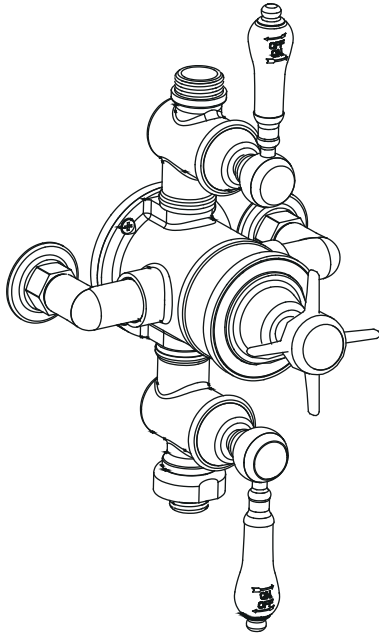


# ARCADE™

## INSTALLATION INSTRUCTIONS

Arcade Avon exposed thermostatic shower valve  
with two outlets including valve handle and ceramic lever - nickel

- ARCV25 NKL



Part A

1x

### Important

- We recommend that this product is installed by a qualified professional contractor. Such as a plumber who is certified by NVQ (National Vocational Qualification) or SNVQ (Scottish National Vocational Qualification) Level 3.
- Please check this product immediately to ensure that it has not been damaged and is complete. Before installation, please make sure this product is the correct model and you have all the parts required for installation and using.
- This valve is a mixing device and therefore requires the water supplies to be reasonably balanced, otherwise we recommend a pressure reducing valve to be fitted.
- Please flush the water system to ensure that no metal swarf, solder, and other impurities can enter the valves.
- Turn off water supply before commencing work, this should be done at the isolating valves of inlet feeds if fitted or main stopcock.
- Please Read these instructions carefully and keep it for future reference.

### Working pressure and temperature

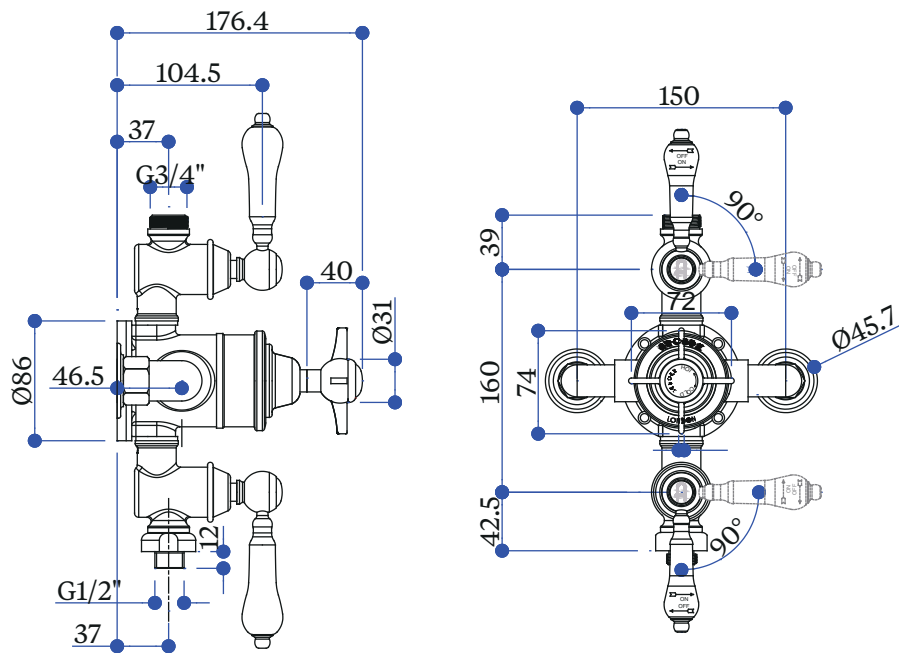
The valve is suitable for both high and low pressure installation. To ensure that the valve works well under low water pressure, the cold water storage tank must be at least 2 meters above the installed position.

Maximum Static Pressure	10 Bar
Flow Pressure, Hot & Cold	0.1-5 Bar
Hot Supply Temperature	55-65 °C
Cold Supply Temperature	≤25 °C

### Plumbing Recommendations

- The valve is provided with two outlets. The outlet on the top can be connect with vertical riser (V21 or V22) which supplied with G 3/4" compression nut. The other outlet on the bottom can be connect with flexible hose (V26) or spout fitting (V32) .
- An independent hot and cold water supply pipe is required for the shower system including valve. Do not pipe off ring main. Please follow the installation diagrams and instructions.
- For low-pressure shower system, the recommended pipe work from both water tank and cylinder should be at least 22mm.
- Please always install pump before shower valve inlet where a pump is required.

## Dimension



## Installation

Fig 1:

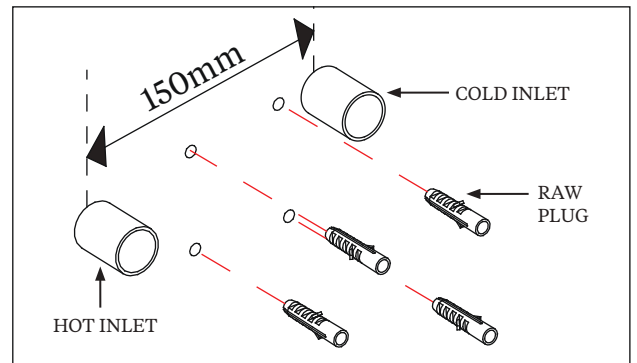
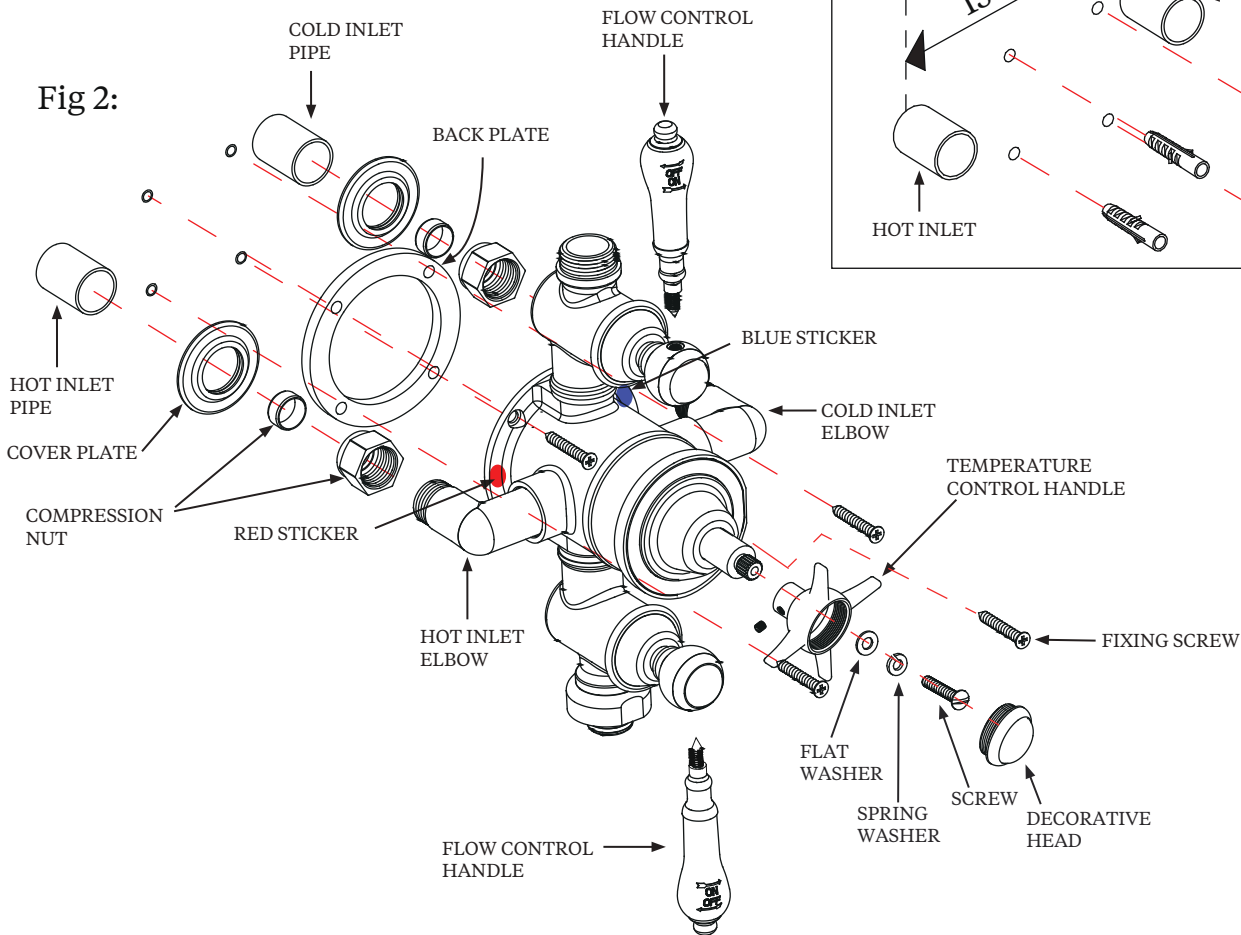


Fig 2:

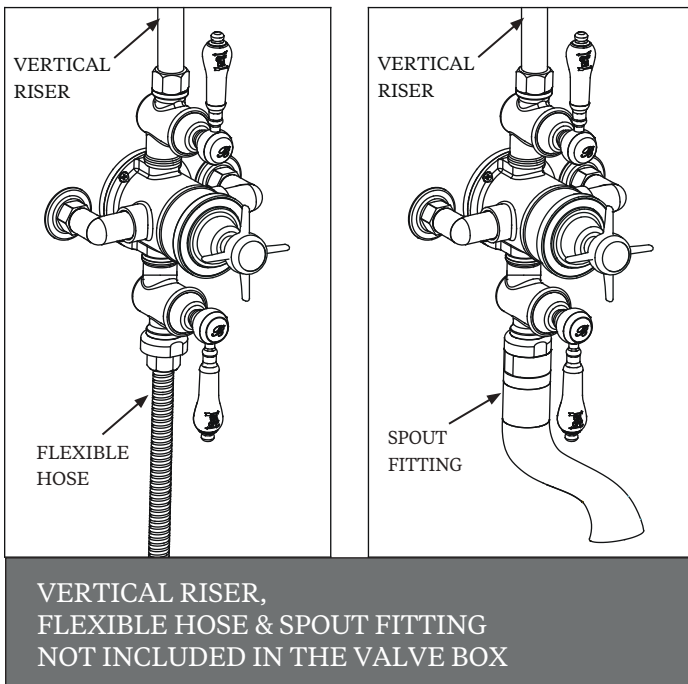


The valve should be installed in accordance with the water bye-laws. For further details refer to the latest copy of Water Bye-laws guide or your local water authority.

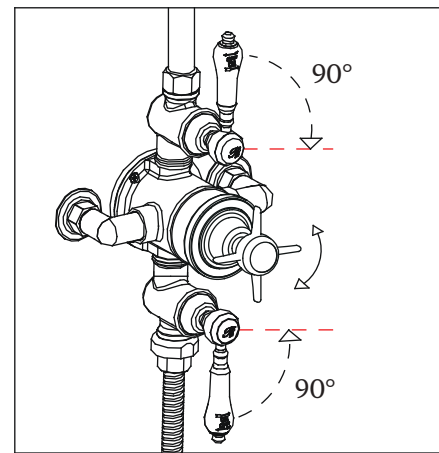
1. Prepare the water supply pipes (hot on the left and cold on the right) at the identified height with a width of 150mm centers.
2. Make the ends of pipes 20-25mm out from the face of wall.
3. Remove the compression nuts and the plates from the inlet elbows of valve.
4. Put the back plate onto the wall and mark the position of 4 holes.
5. Drill 4X8mm holes on the wall to a depth of 45mm and insert wall plugs.
6. Fix the back plate and valve to the wall with the supplied screws.
7. Slide the cover plates under the compression nuts and position each pipe with the cover plate against the wall.
8. Push the valve over each pipe and make them into the back plate.
9. Tighten the two nuts on both inlets.



## Options



## Operation



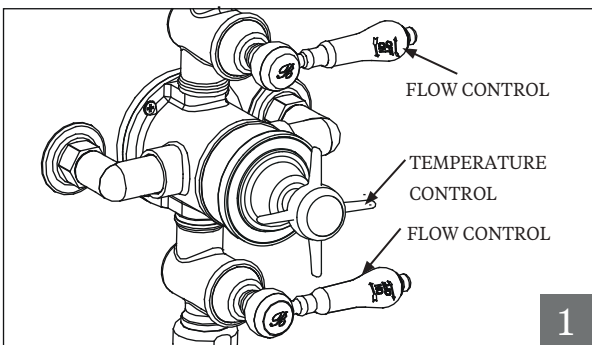
1. Turn the water flow control handle to increase/decrease the water flow and turn on/off.
2. Turn the temperature control handle to increase/decrease the water.
3. The temperature control knob is pre-set the auto stop at 42°C to avoid scalding.

However, if for any reason the setting is removed it is important to follow "Temperature Setting" procedure to reset.

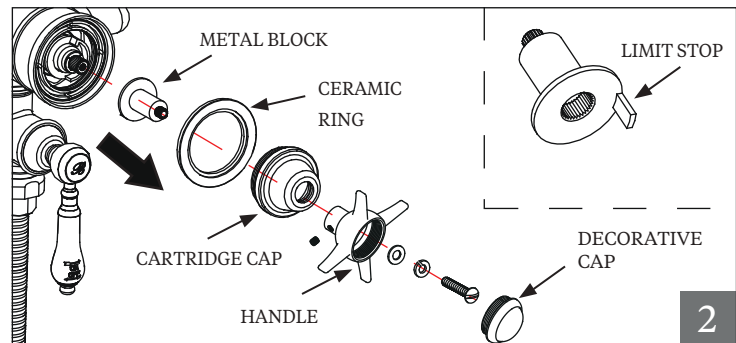
## Temperature Setting

The temperature control handles on this product are factory set and should require no adjustment.

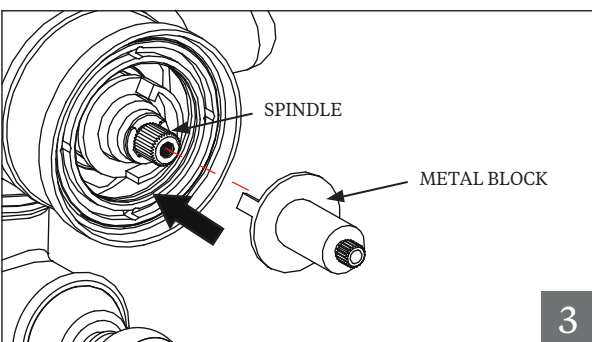
However, if for any reason the handles and/or the cartridge is removed it is important the following procedure is followed.



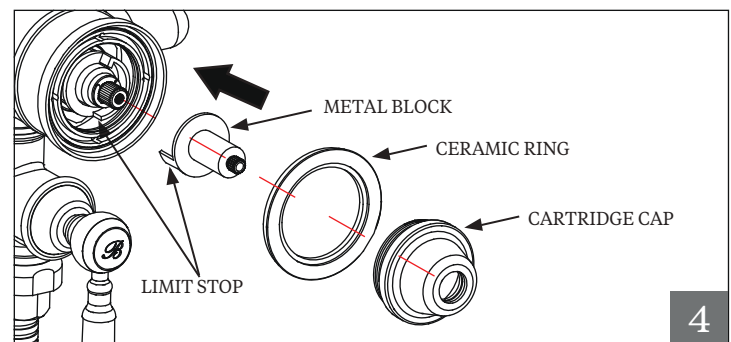
- A) Turn flow control handle to maximum flow position, and temperature control handle anti-clockwise until it contacts the internal limit stop.
- B) Allow the water temperature to stabilize around 3 minutes and check the temperature by thermometer.
- C) Proceed if temperature is not 42°C.



- A) Turn off the water
- B) Unscrew the decorative cap on the temperature control handle.
- C) Unscrew and remove the handle.
- D) Unscrew and remove the cartridge cap.
- E) Pull off the metal block with limit stop on the backside.



- A) Temporarily refit the metal block until it just engages on the splines of the spindle.
- B) Turn on the water.
- C) Slowly turn the metal block in the required direction until the discharge temperature is achieved.
- D) Remove the metal block when finished.



- A) Without rotating the temperature spindle, replace the metal block so that limit stop inside metal block up to the right hand side of the limit stop on the plastic block.
- B) Refit and tighten the cartridge cap and screw. Refit and tighten the decorative cap.



## Maintenance (Thermostatic Cartridge)

\* After a long time usage of thermostatic valve, there will be some waste debris from the water pipe on and around the thermostatic cartridge, which will affect the flow and sensitivity of automatic temperature adjustment. Please take out the thermostatic cartridge, and clean the cartridge strainer

\* To avoid damage, please remove all chrome parts before any maintenance takes place.

A) Remove the cartridge cap, ceramic ring and metal block (See Fig. 1)

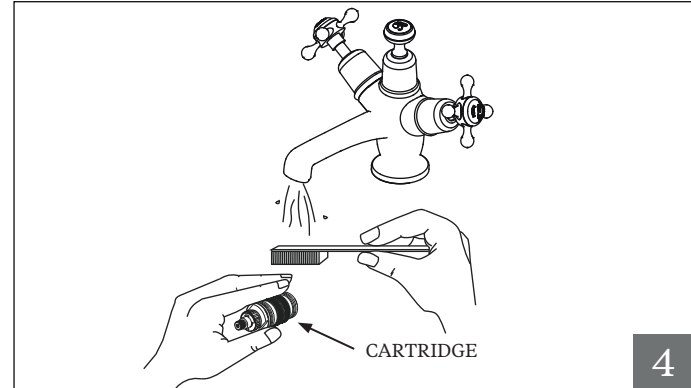
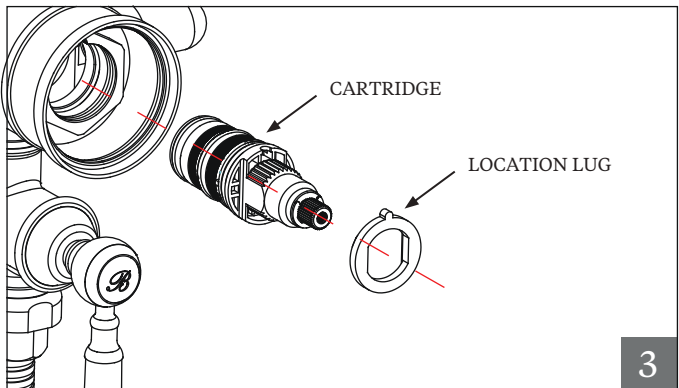
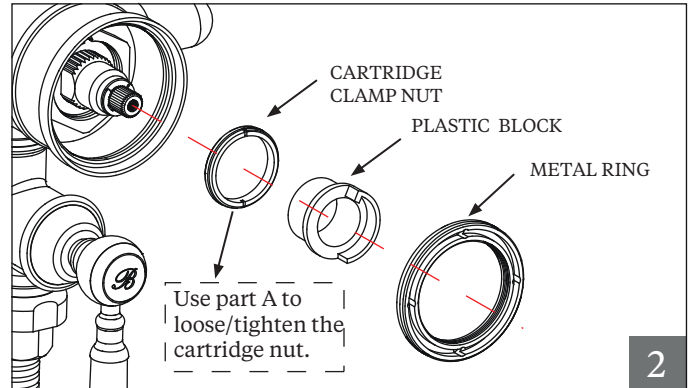
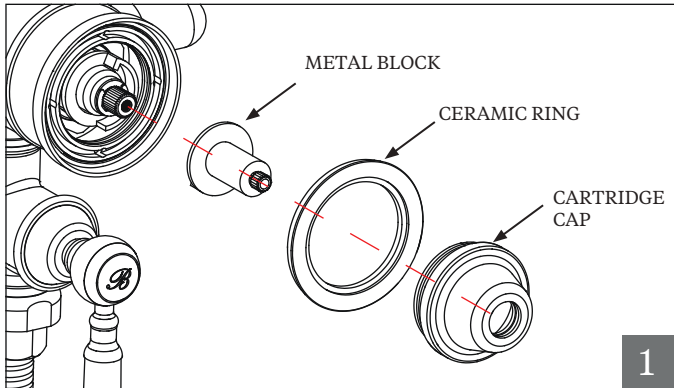
B) Remove the metal ring, plastic block and cartridge clamp nut (See Fig. 2)

C) Pull out the cartridge together with location lug (See Fig. 3)

D) Wash the cartridge with clean running water, dry and lightly grease the seals (only use silicone grease). (See Fig. 4)

E) Replace the cartridge and make sure it back to the primary position.

\* Cartridge Type: "SP32" is the spare part number of thermostatic cartridge.



## Trouble Shooting

1. Output water temperature does not correspond with temperature set

Cause: Thermostat has not been adjusted base on the existing home water system

Remedy: Adjust the thermostat , refer to "Temperature Setting" procedure.

Cause: Hot Water temperature too low.

Remedy: Adjuster the water heater , increase hot water temperature to 65°

2. Crossflow, cold water being forced into hot water pipe, or vice versa, when valve is closed

Cause: Non-return valves dirty or leaking

Remedy: Clean the non-return valves or exchange if necessary

3. Very low flow or no flow

Cause: Supply pressure inadequate

Remedy: Check hot and cold feeds . If a pump has been installed, please check to see if the pump is working.

(the valve will shut down if either the cold or hot water supply fails)

4. Water will not run hot enough when first installed

Cause: Wrong maximum temperature setting

Remedy: Adjust the maximum temperature , refer to "Temperature Setting" procedure.

## Cleaning

We do NOT recommend you use any household cleaners to clean the product. Because these cleaners change substance or formula too frequently. So product should be always cleaned only with soapy water and rinsing with clean water and drying with soft cloth.

Beautifully  
Traditional

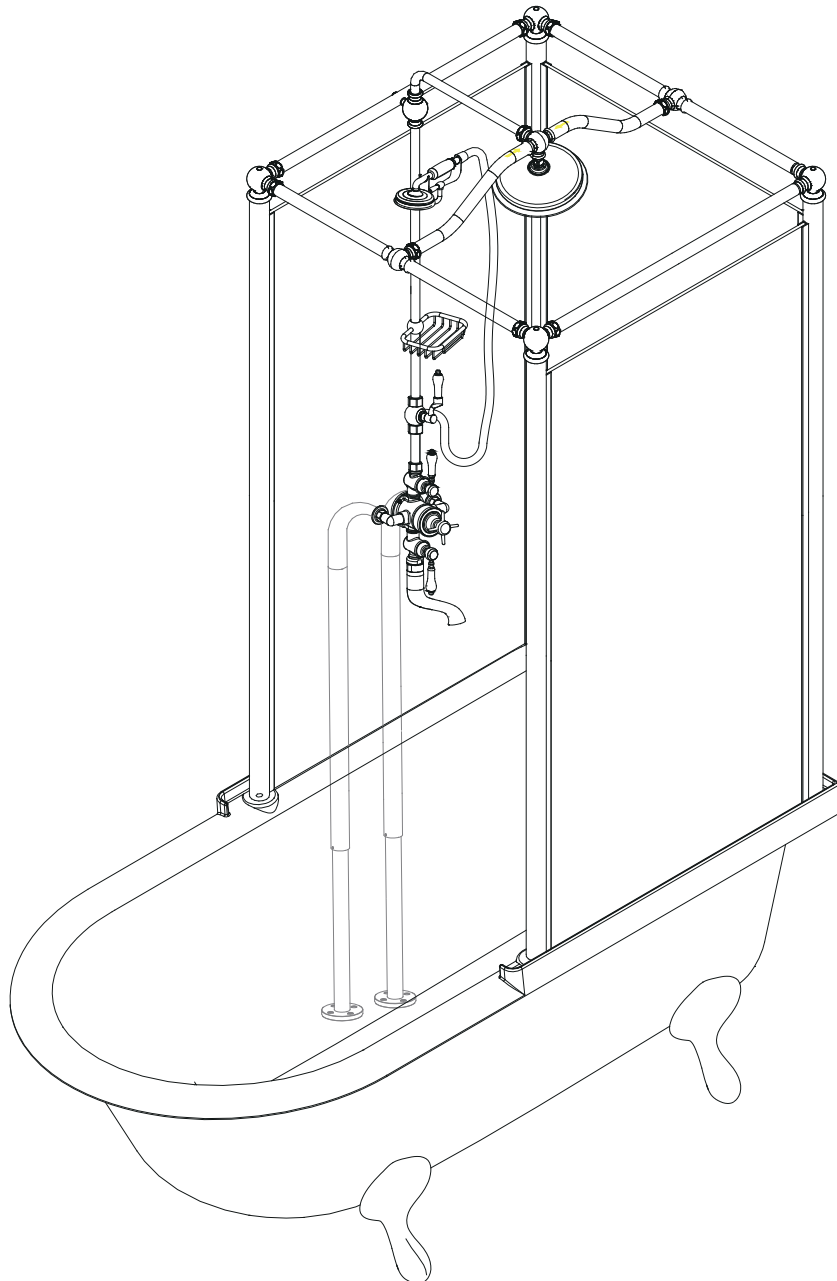
ARCADÉ™

Royal freestanding over bath shower temple left hand  
(including the riser, handset, hose, and shower head) - nickel

ARC33L

Royal freestanding over bath shower temple right hand  
(including the riser, handset, hose, and shower head) - nickel

ARC33R



INSTALLATION INSTRUCTIONS

## IMPORTANT - Please read before installation

Please read these instructions carefully before starting installation and keep in a safe place for future reference.

Check the contents of the pack carefully before installation. Arcade will not be held responsible for any de-fit / re-fit costs where faulty product has been fitted.

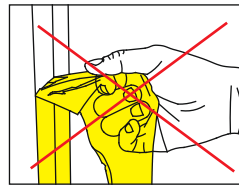
If any fault is found with materials or workmanship, it must be reported immediately to the manufacturer. Remedial action will be taken, based on information received, on condition that:

1. Full details are supplied to the manufacturer;
2. The enclosure has not been modified or tampered with;
3. The manufacturer is informed of any damage/shortages prior to installation.

We do not accept responsibility for any problems that may occur through incorrect installation.

The success of the installation and operation of any shower enclosure is, of course, dependant on the squareness, alignment and construction of the walls to which fixing is to be carried out.

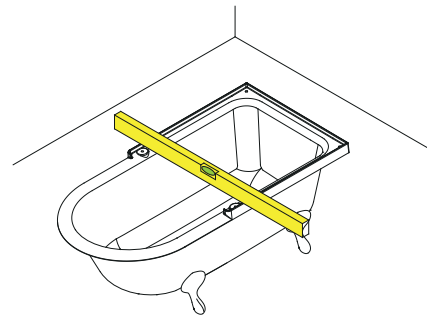
### VERY IMPORTANT



To protect the plating finish, yellow protective film has been placed on the profiles. The film should not be removed until installation is complete.

A pair of gloves are also provided to wear during installation, this will reduce oils and silicon stains being transferred during installation.

You must complete all tiling and grouting, and the shower bath should be fixed to the ground, be adjusted, and checked for level.



## INSTALLATION - Advice and safety

The installation instructions are based on typical use and conditions.

Please follow the installation instructions relevant to your enclosure.

These hints have been prepared for your guidance, you must exercise due care at all times.

For Health and Safety, we recommend 2 people carry out the installation of this enclosure.

Handle glass with care.

Although the glass supplied is toughened safety glass (EN12150), impacts can damage both the glass and the frame.

### Warning!

When using power tools always follow the manufacturers user instructions.

Do not sit the enclosure on a bed of silicone, as this will also stop any water from draining back into the bath.

**DO NOT SEAL THE ENCLOSURE TO THE BATH ON THE INSIDE.**

If the enclosure is sealed to the bath on the inside, any water that may get into the framework will not be able to drain back into the bath, this may cause the enclosure to leak.

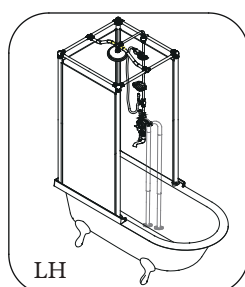
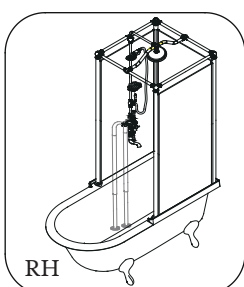
Leave the silicone sealant to dry for 24 hours before using the enclosure.

## CARE AND CLEANING

Do not use solvents or abrasive material or chemicals to clean the enclosure.

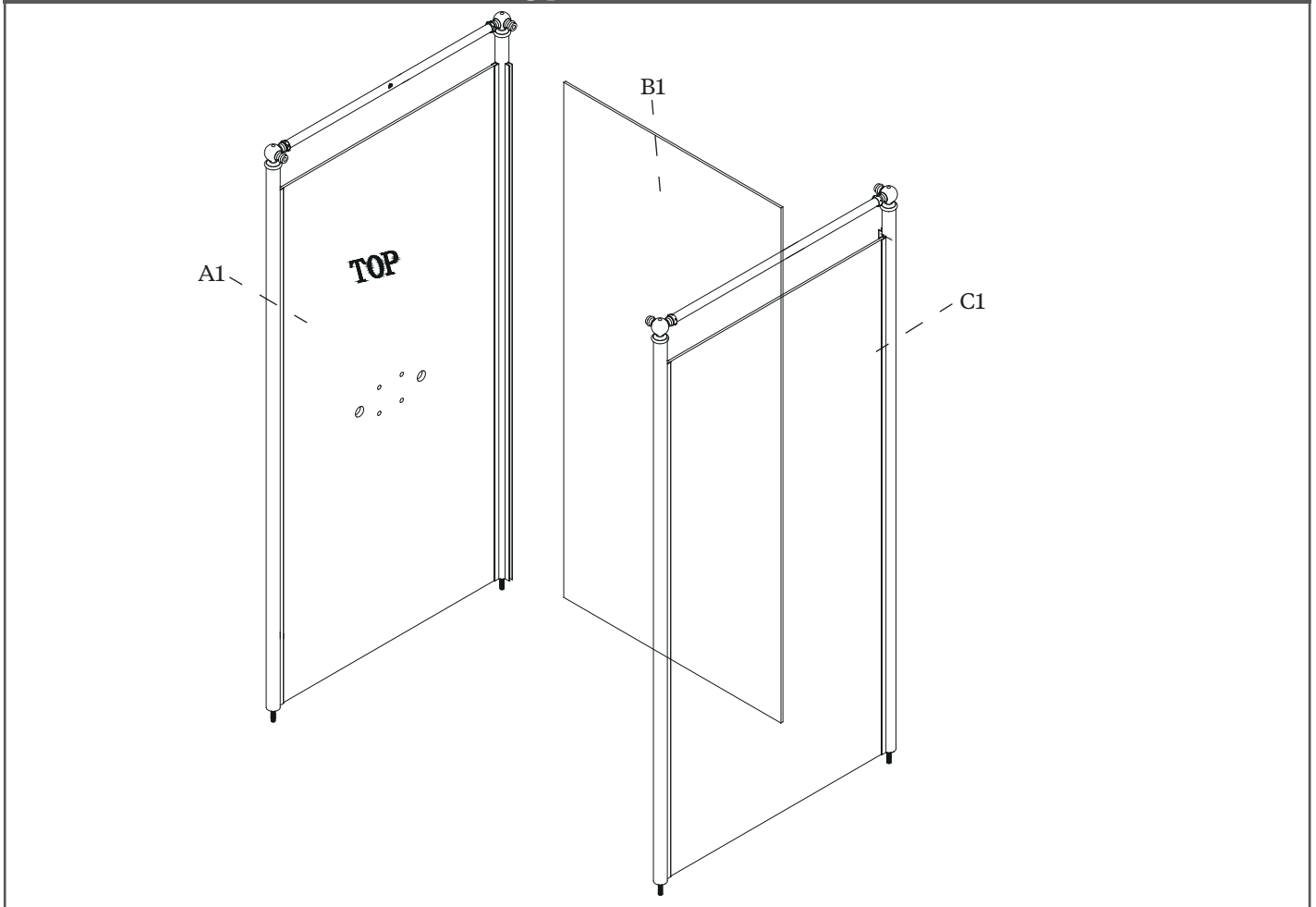
Only clean using soapy water and a soft cloth, rinse thoroughly afterwards.

## INSTALLATION - left & right

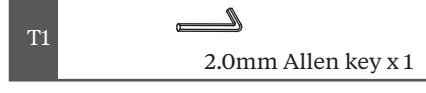
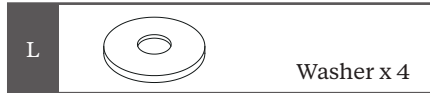
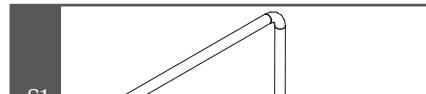
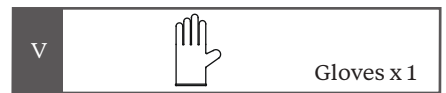
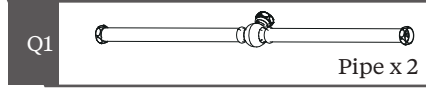
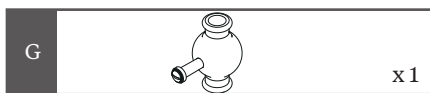
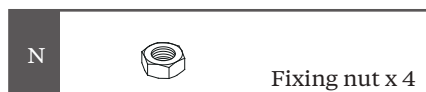
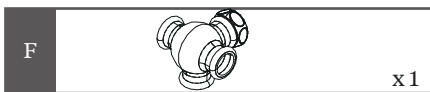
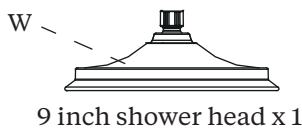


The complete installation requires 7 boxes of products.

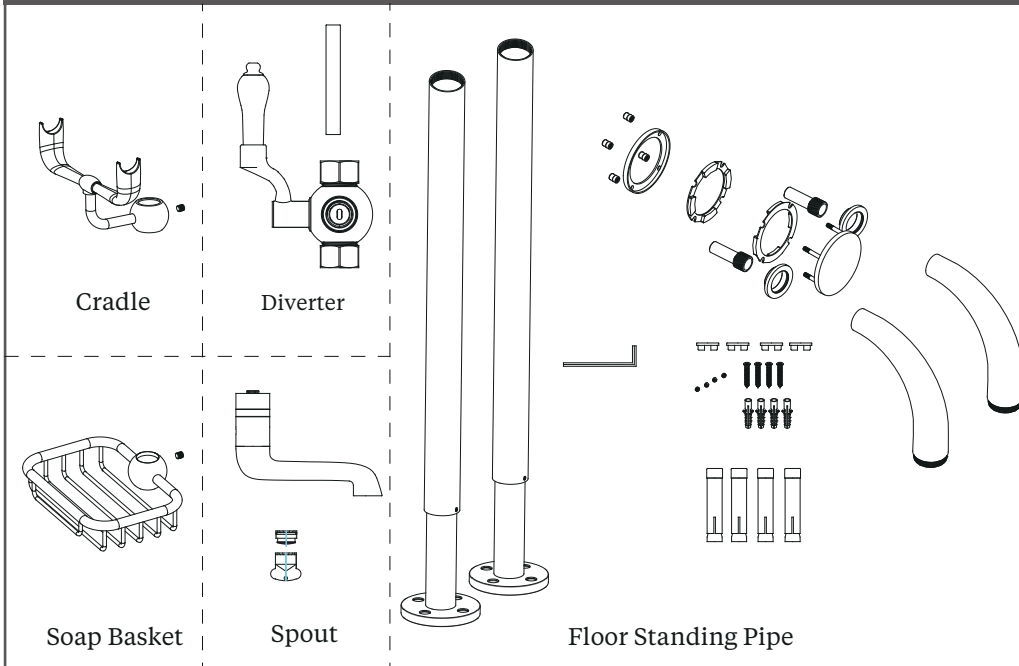
Box 1 and box 2 include the following parts.



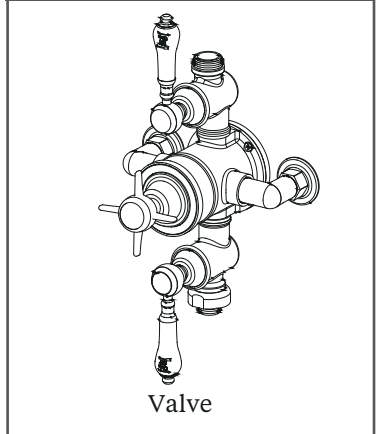
Box 3 includes the following parts.



The box labeled ARC44 includes the following parts.



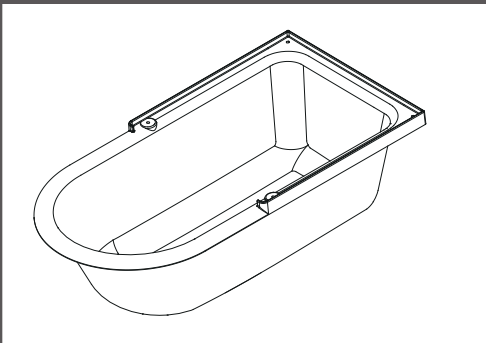
The box labeled ARC25 includes the following parts.



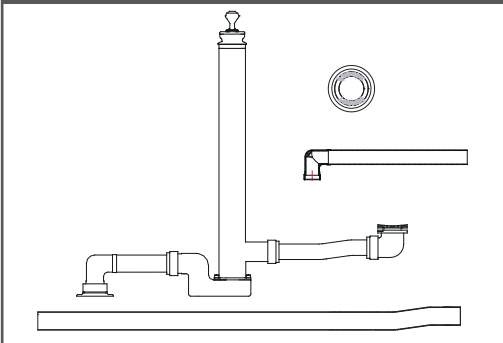
The box labeled ARCE11 NKL includes the following parts.



The box labeled ARC29 includes the following parts.



The box labeled ARC40 includes the following parts.

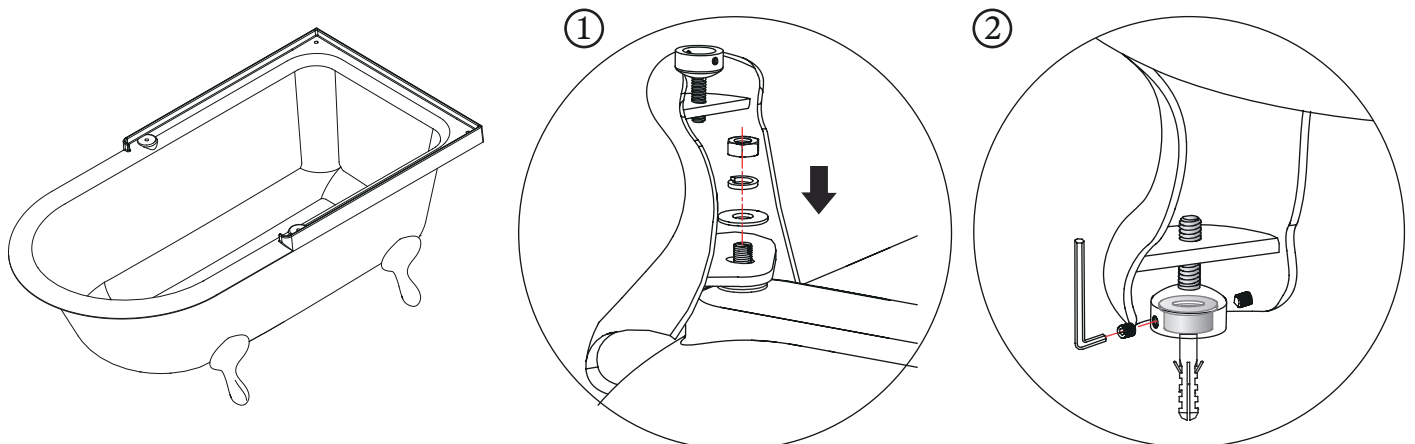


### Tools and equipment needed

Tape measure, Philips screwdriver, Slotted screwdriver, Spirit level, Silicone sealant, Ratchet set.

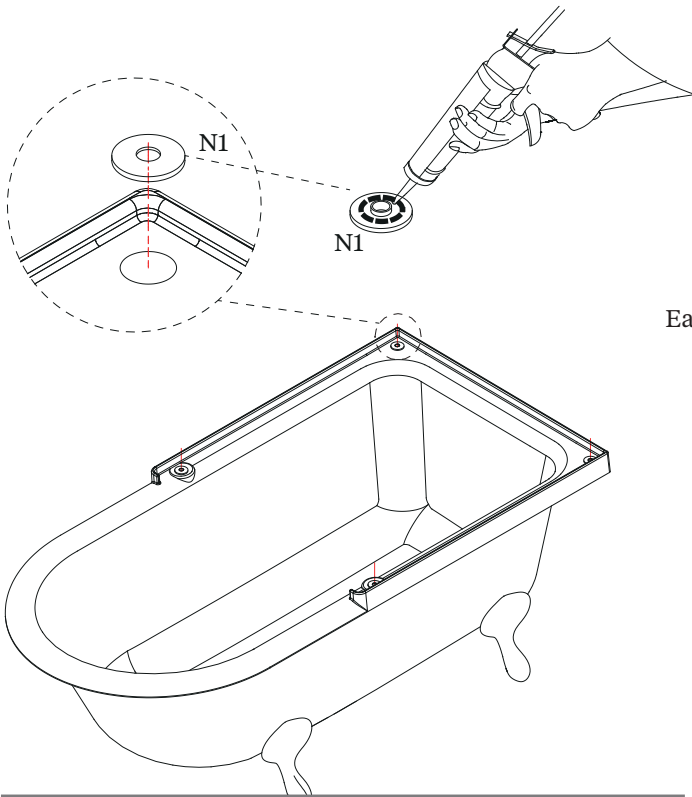
### Step 1

Please refer to the instruction supplied with leg set for the detailed installation of leg set. It is critical that the shower bath is fixed to the floor and the bath is level.

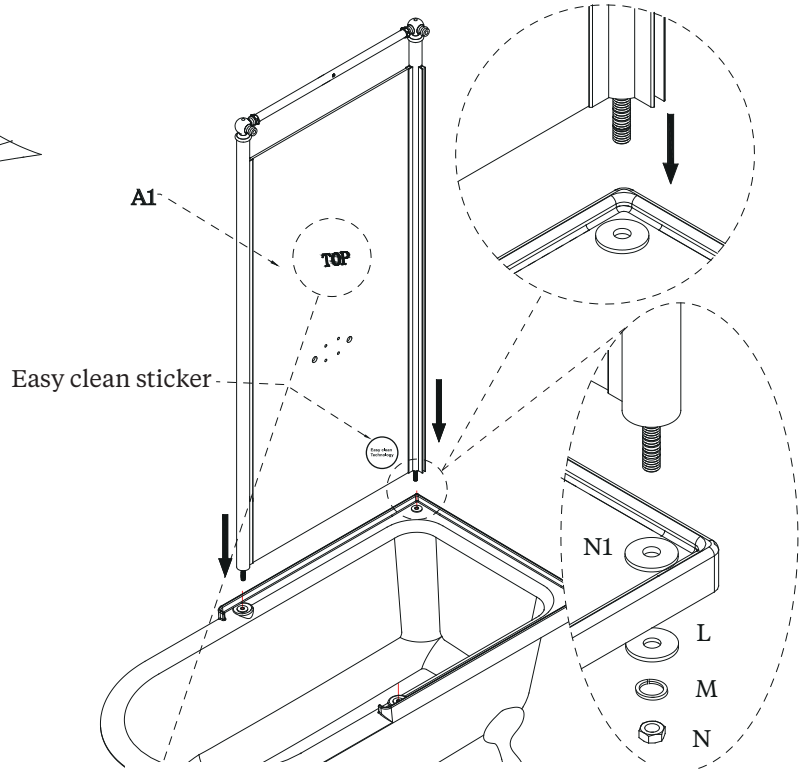


Step 2

Apply the silicone sealant onto the back of washer, then press into position.



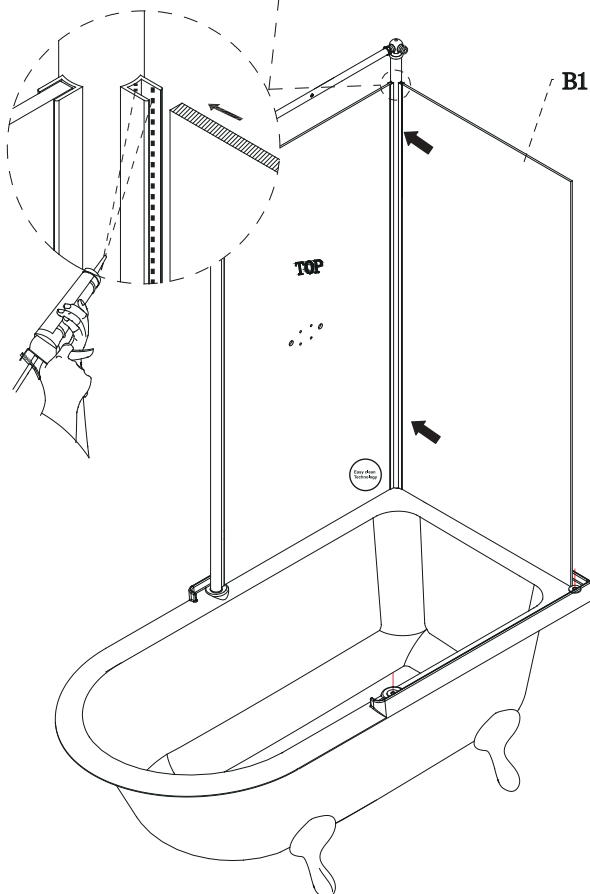
Step 3



The end with the "Top" sticker should be at the top, and the side with the easy clean sticker should face inwards.

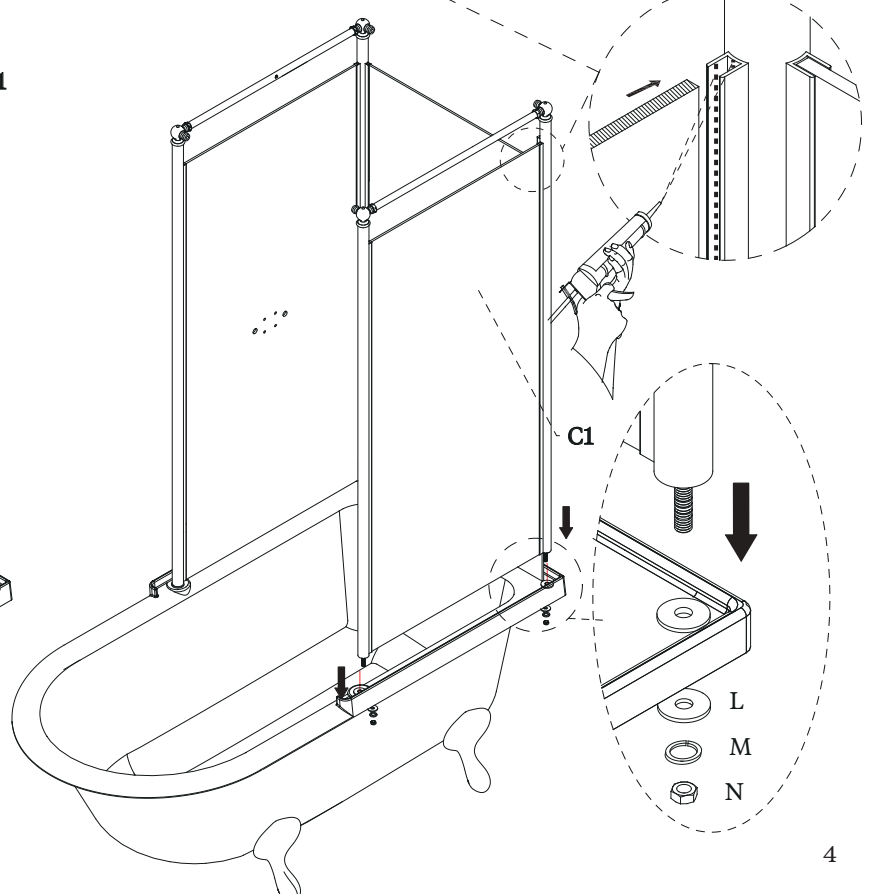
Step 4

Part A1 should be held in place during the installation. A thin bead of silicone should be applied to the outside wall of the glass channel.



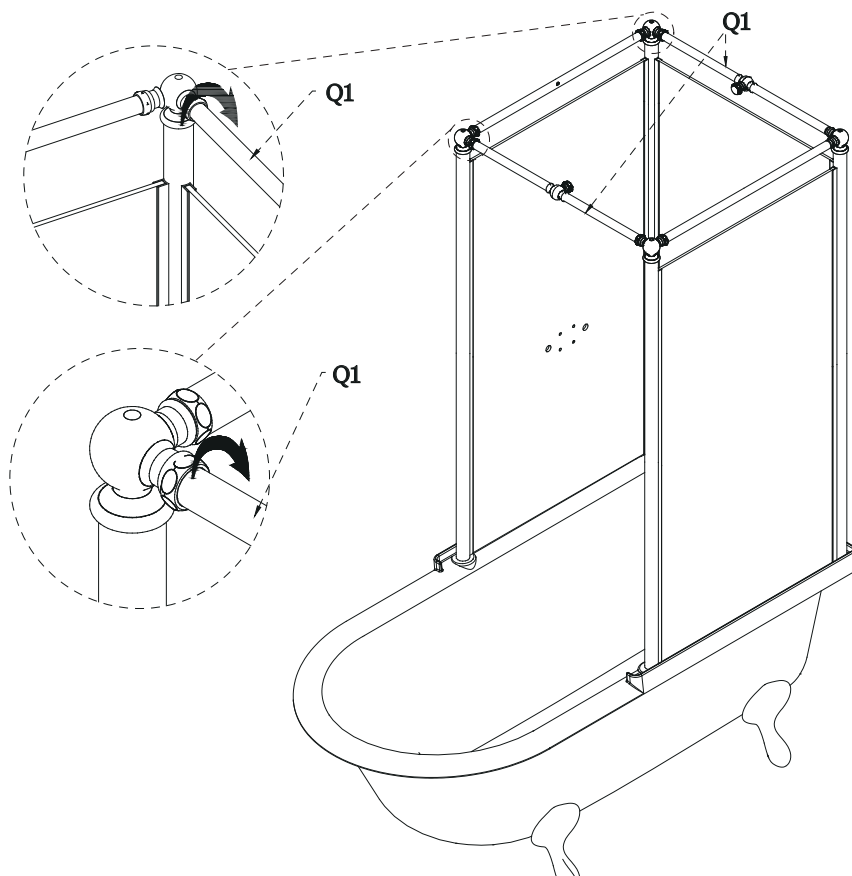
Step 5

Part A1 and part B1 should be held in place during the installation. A thin bead of silicone should be applied to the outside wall of the glass channel.



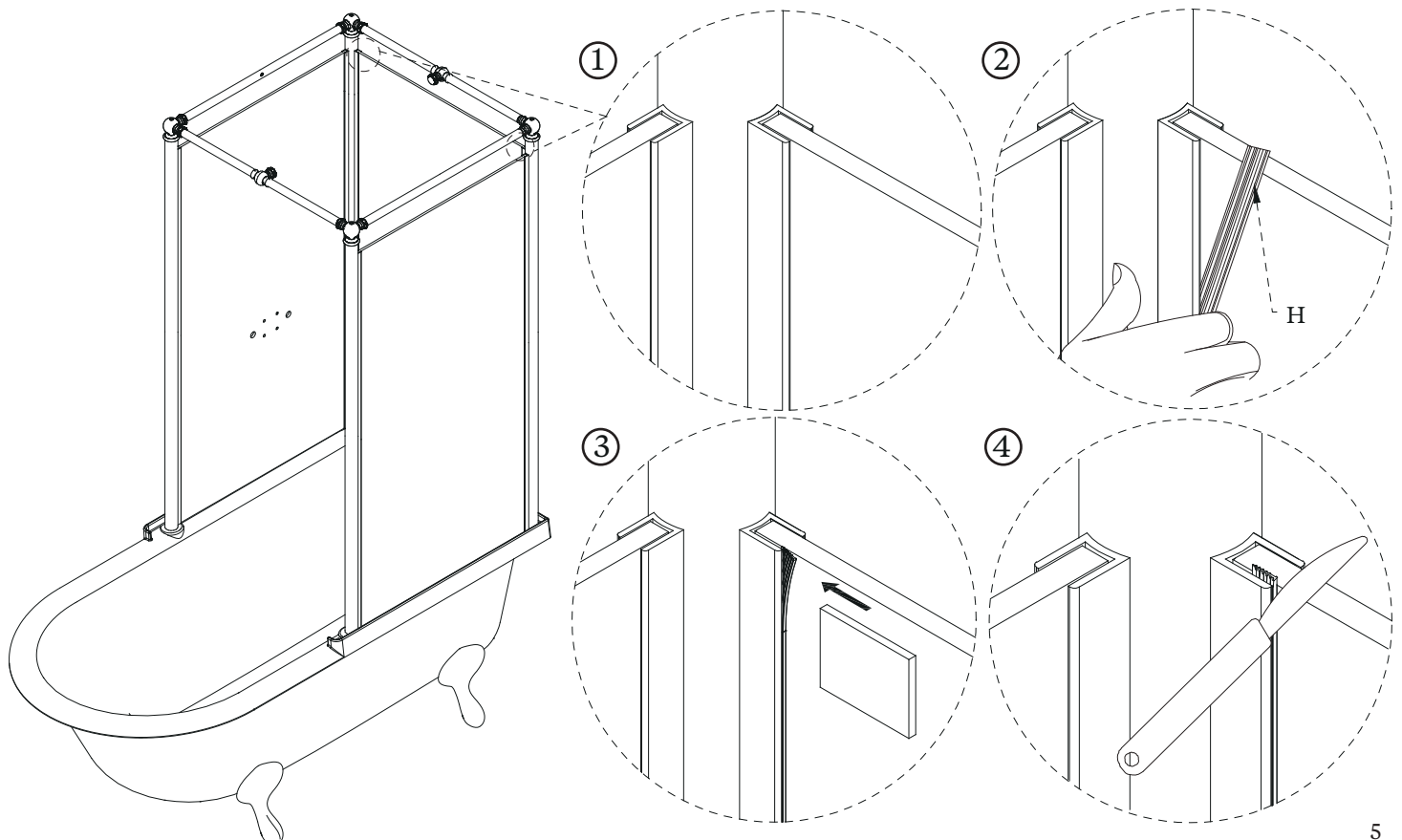
Step 6

Please refer to the instruction supplied with product ARC61 for the installation of an additional supporting bar onto the pipe Q1.



Step 7

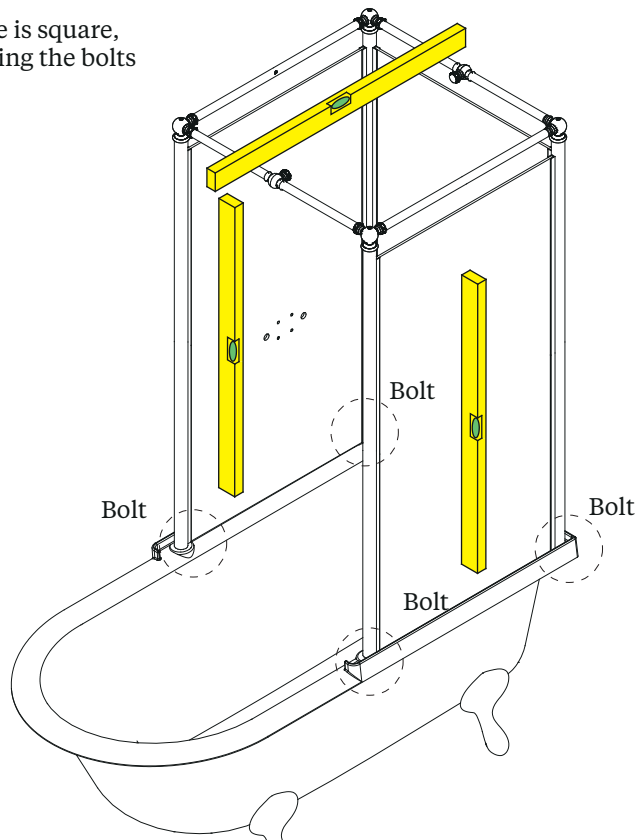
Start from the bottom when inserting the sealing strips. Insert the inner sealing strip first.



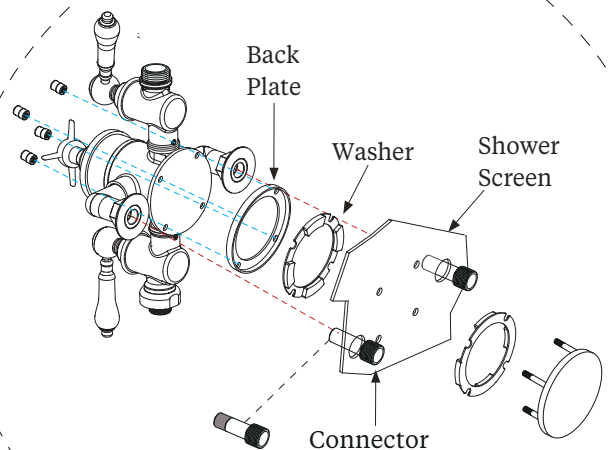
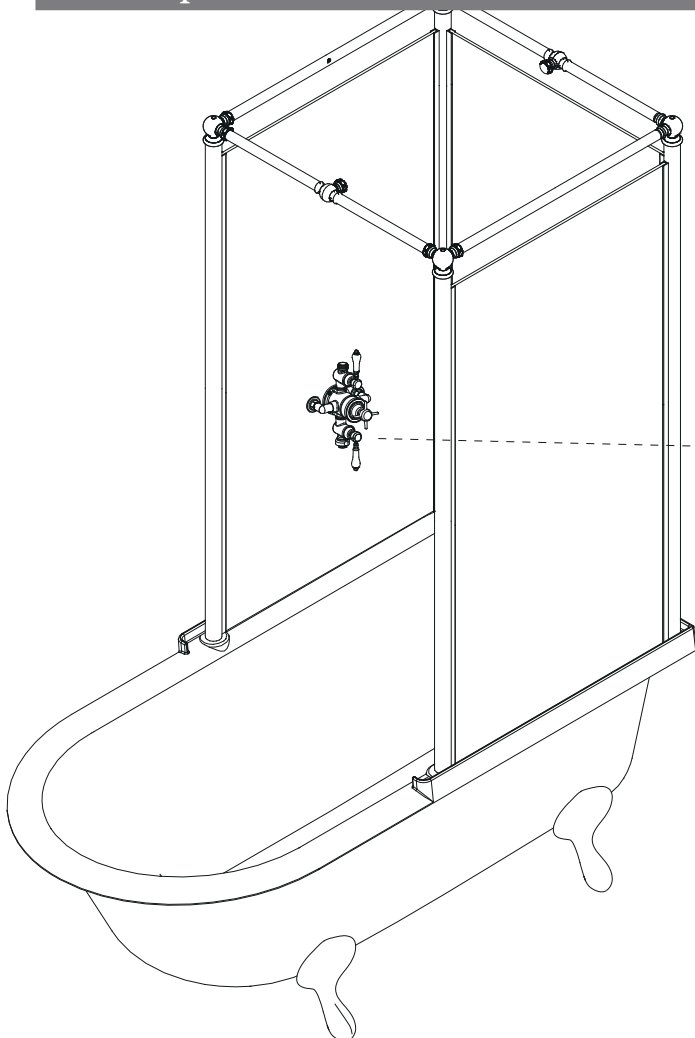


Step 8

Check if the freestanding shower temple is square, there is slight adjustment by manipulating the bolts at the base of the bath.



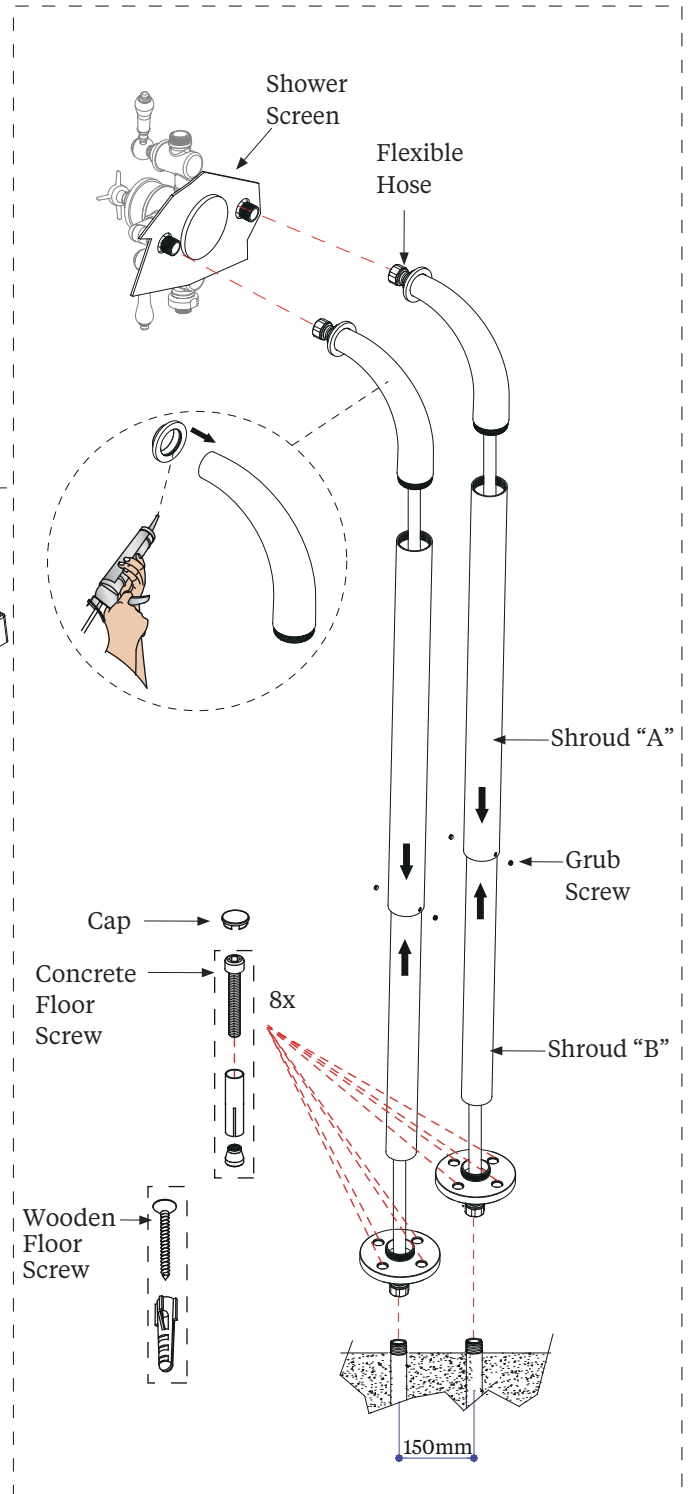
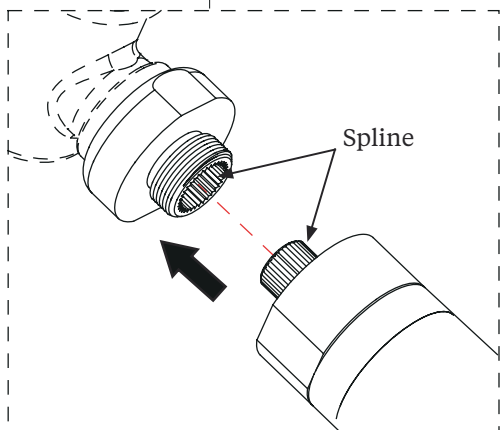
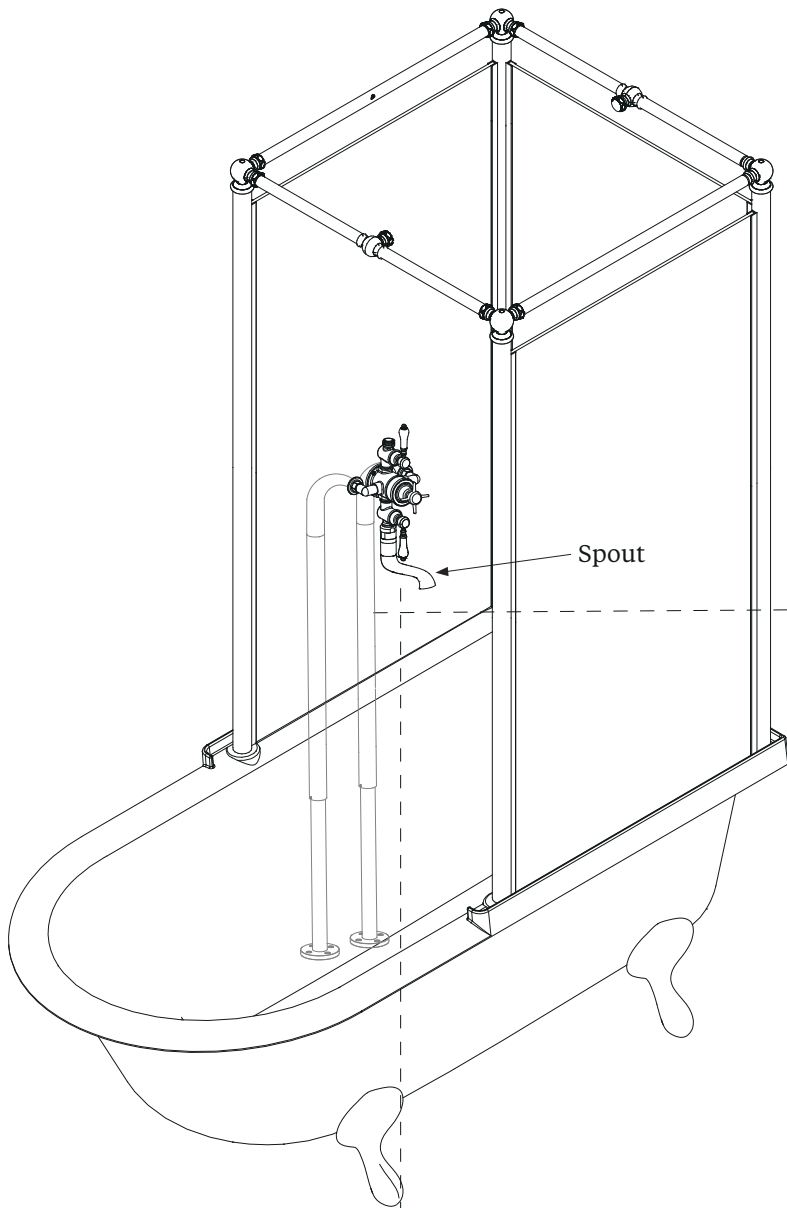
Step 9



If necessary the connector can be cut at this end.

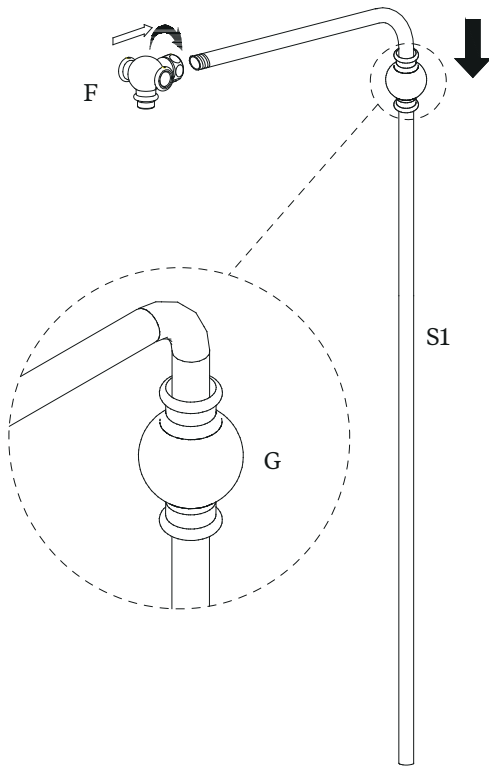
Fix the valve onto the glass.  
Please refer to the instruction supplied with shower valve for the detailed installation of shower valve.

Step 10



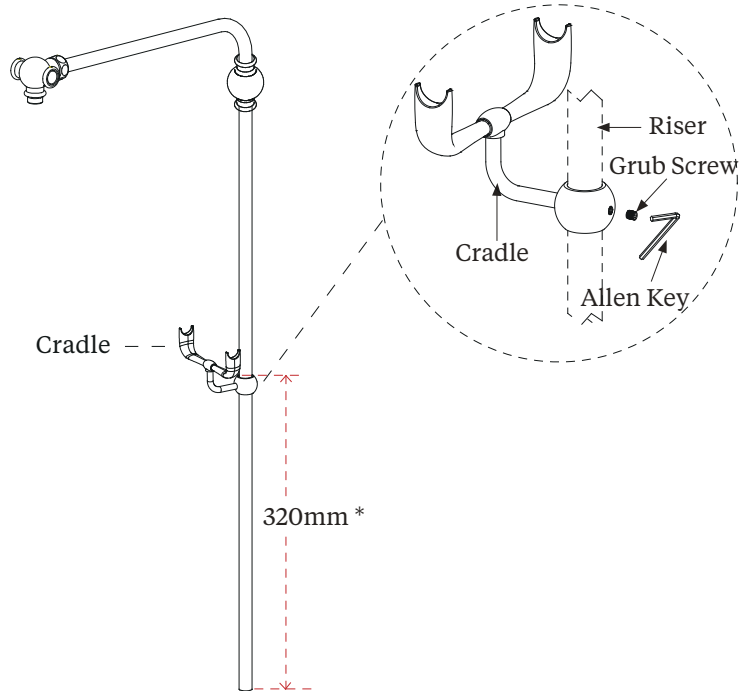
## Step 11

To achieve extra height of Royal as you desire, please replace the pipe supplied in product ARC63 with the original pipe from product ARC33L/ARC33R.



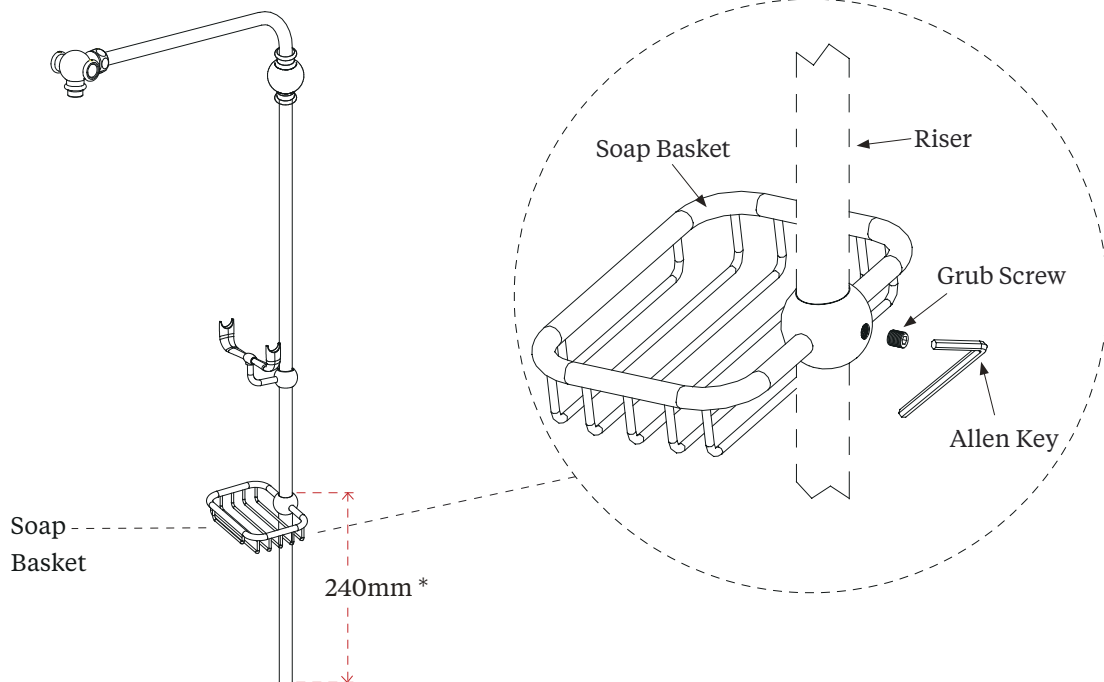
## Step 12

\* Suggested installation dimensions



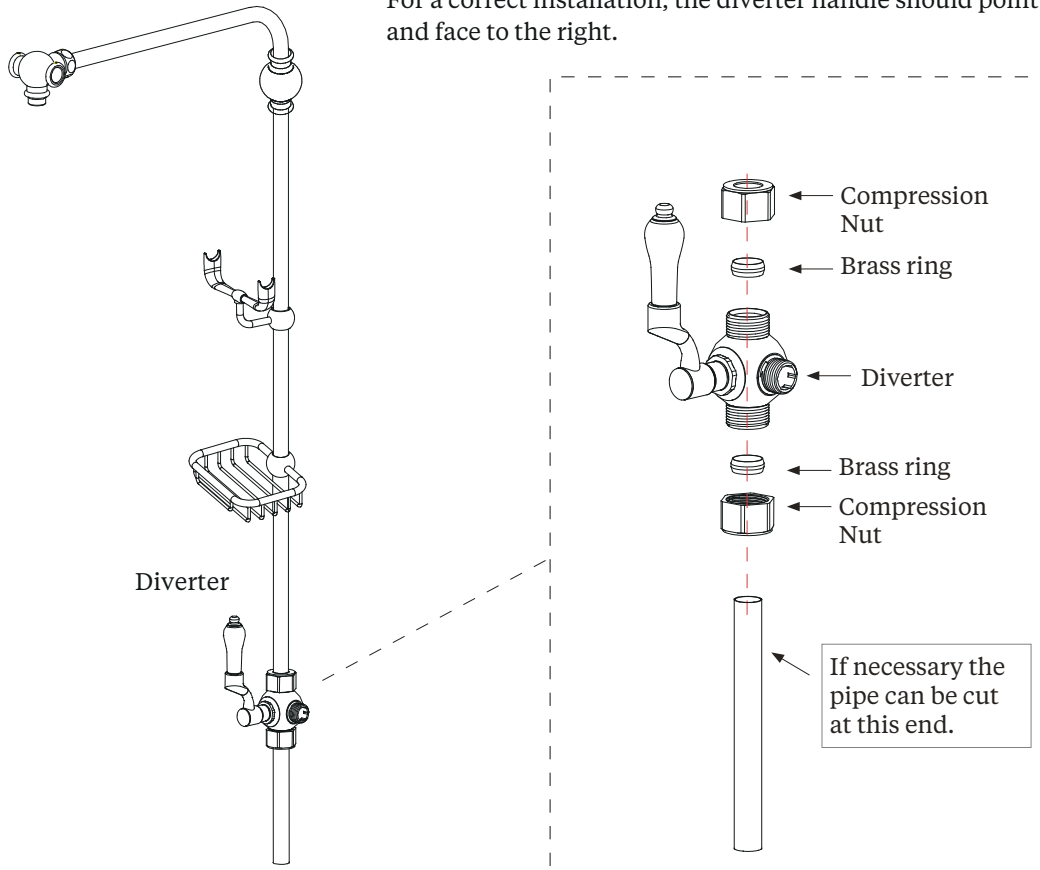
## Step 13

\* Suggested installation dimensions



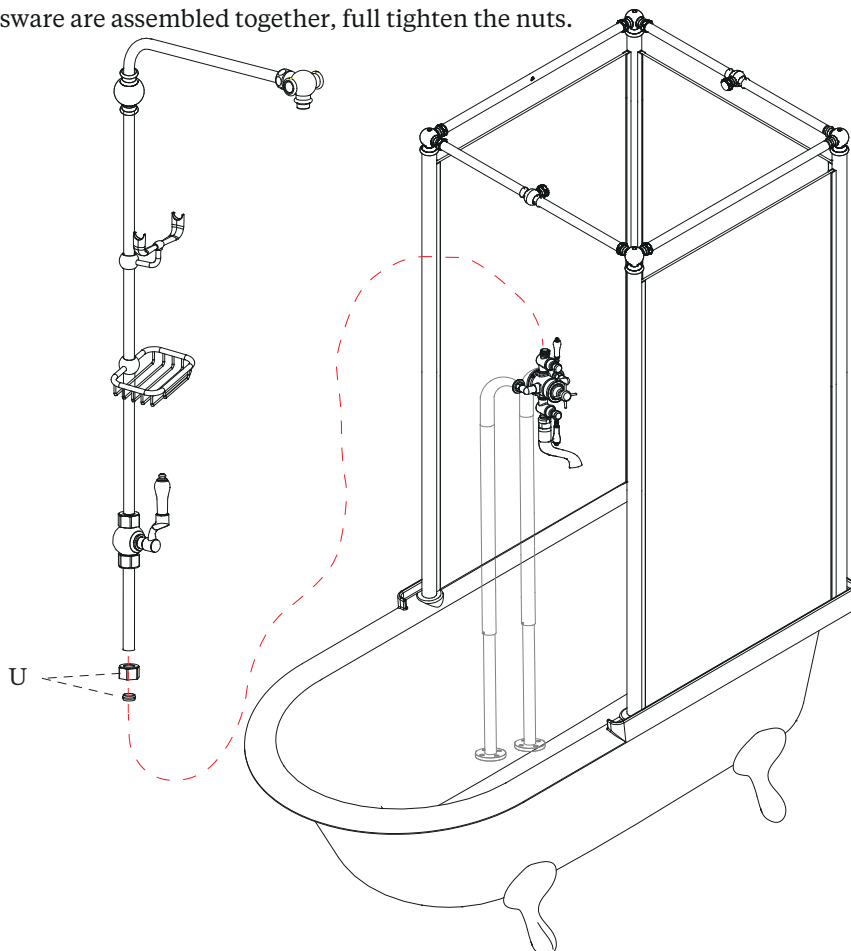
Step 14

For a correct installation, the diverter handle should point upwards and face to the right.



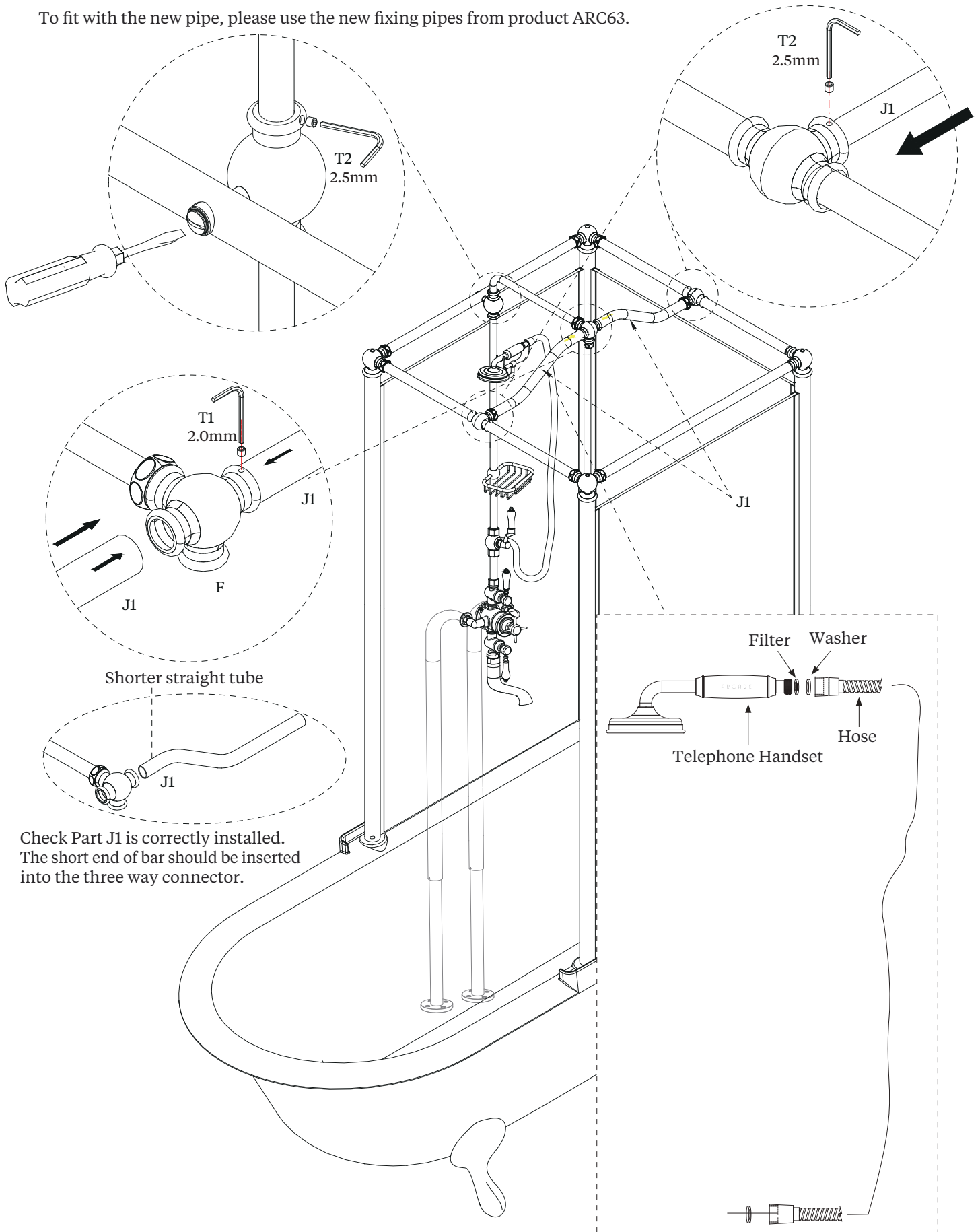
Step 15

After all brassware are assembled together, full tighten the nuts.



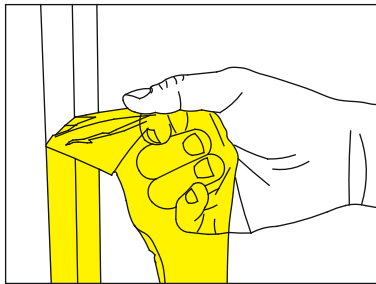
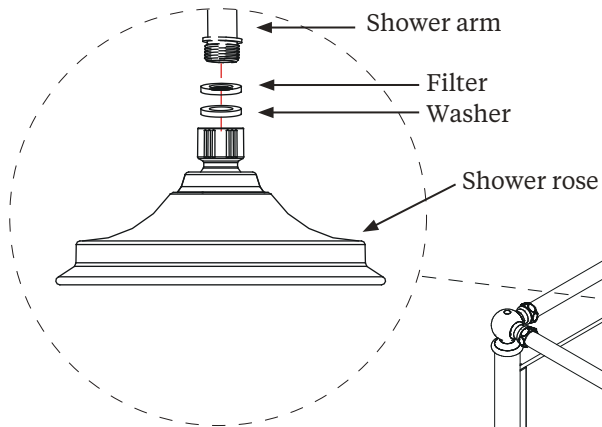
Step 16

To fit with the new pipe, please use the new fixing pipes from product ARC63.

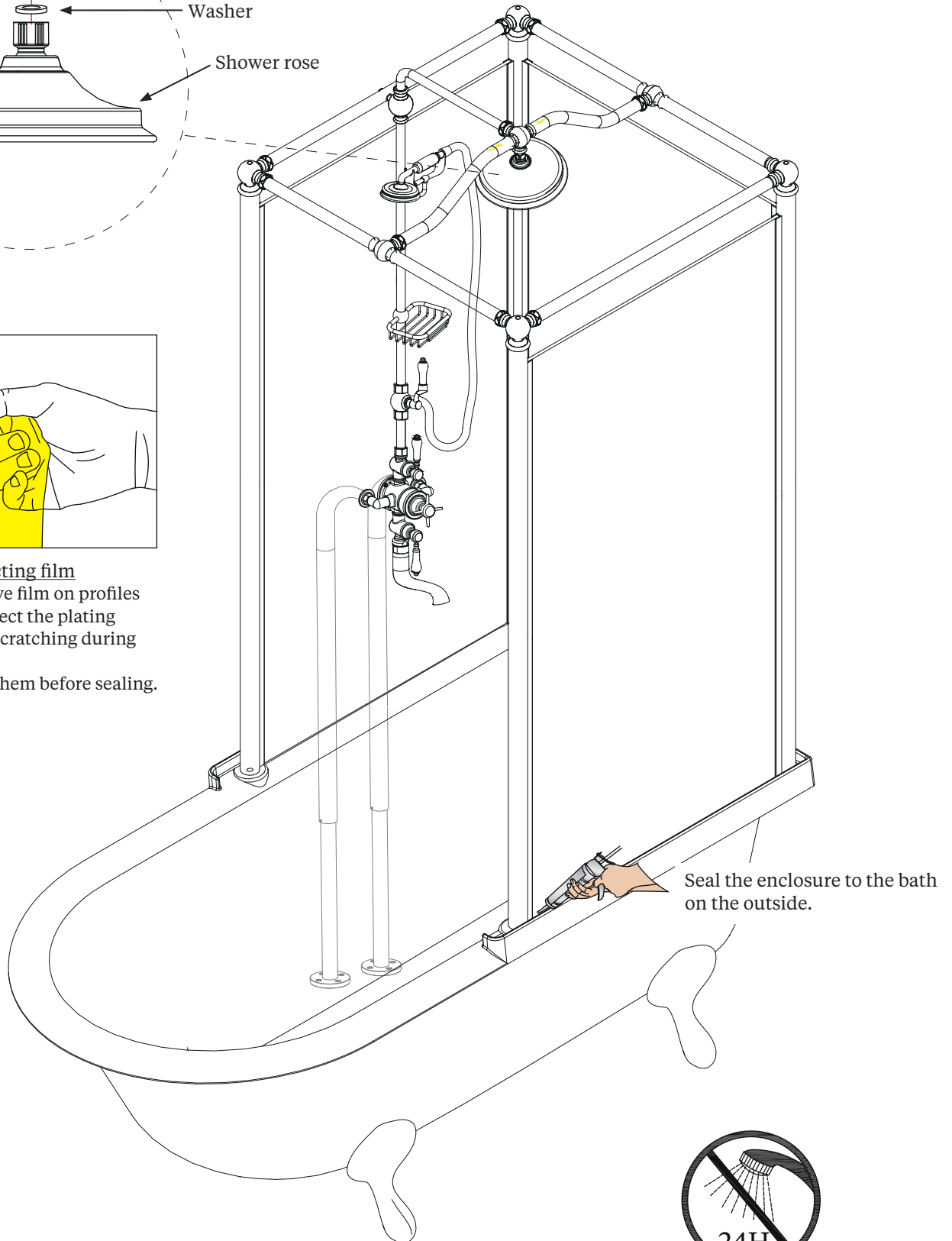


Check Part J1 is correctly installed.  
The short end of bar should be inserted  
into the three way connector.

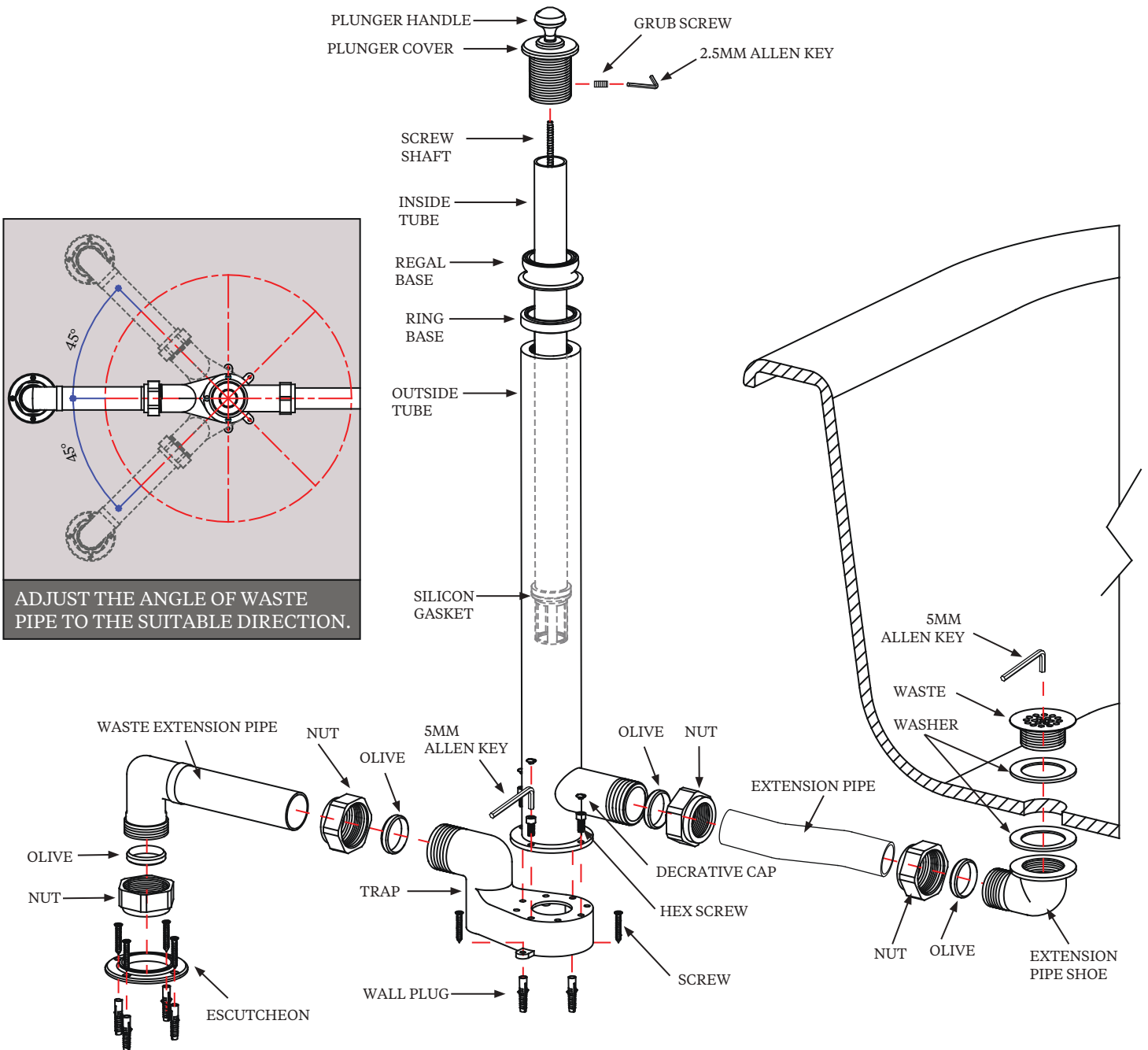
Step 17



**Remove protecting film**  
Yellow protective film on profiles are used to protect the plating finish to avoid scratching during installation.  
Please remove them before sealing.



If needed, Arcade Complete Fire Hydrant ARC40 can be used to connect with the bath.



To install the waste outside the bath.

- A) Insert the plunger cover into the Regal Base and the Ring Base.
- B) There is a screw shaft on the top of inside tube. Screws the inside tube on the plunger cover. Use Allen Key to fix the grub screw.
- C) Slide the inside tube into the outside tube.