

INSTALLATION INSTRUCTIONS

Complete Fire Hydrant (including outlet extension, waste extension and cover plates for overflow hole) - nickel

- ARC40

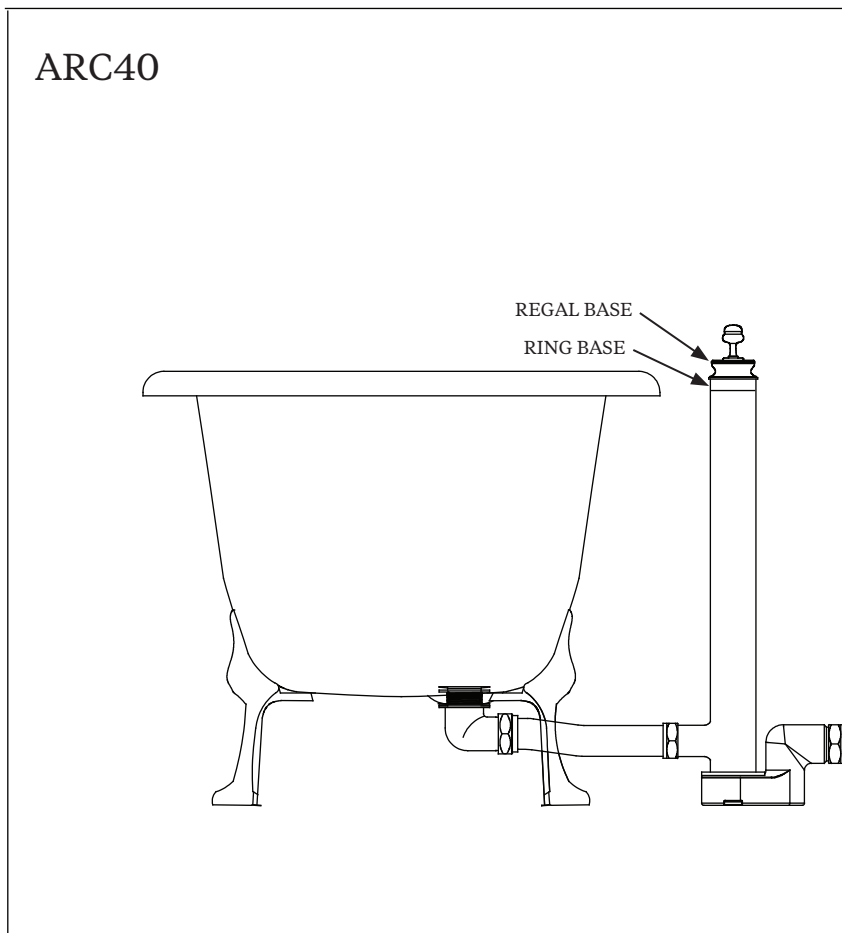
Important

- We recommend that this product is installed by a qualified professional contractor. Such as a plumber who is certified by NVQ (National Vocational Qualification) or SNVQ (Scottish National Vocational Qualification) Level 3.
- Please check this product immediately to ensure that it has not been damaged and is complete. Before installation, please make sure this product is the correct model and you have all the parts required for installation and using.
- Turn off water supply before commencing work, this should be done at the isolating valves of inlet feeds if fitted or main stopcock.
- Please read these instructions carefully and keep it for future reference.

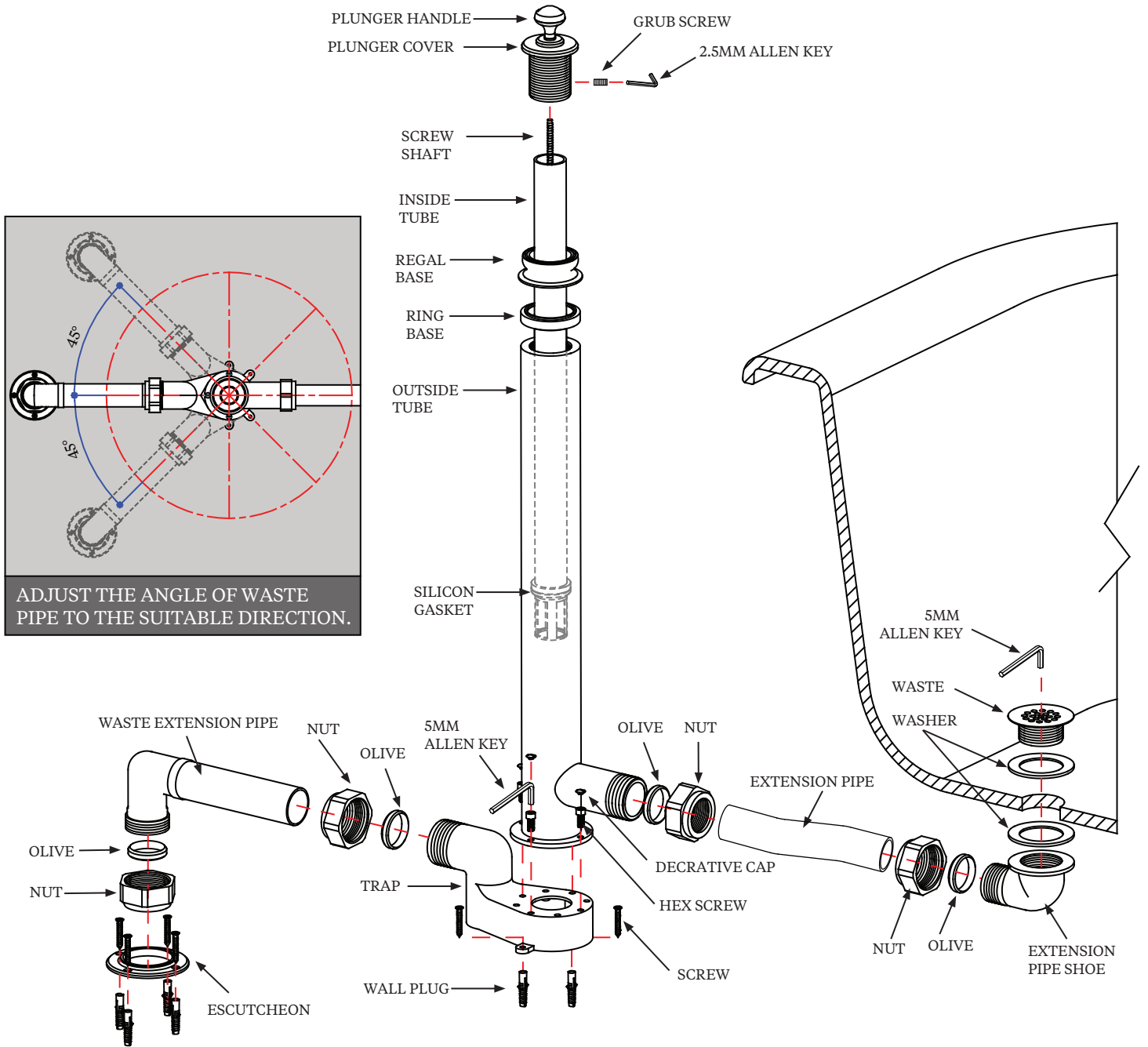
Maintenance

We do NOT recommend you use any household cleaners to clean the product. Because these cleaners change substance or formula too frequently. The product should be always cleaned only with soapy water and rinsed with clean water and dried with a soft cloth.

Installation



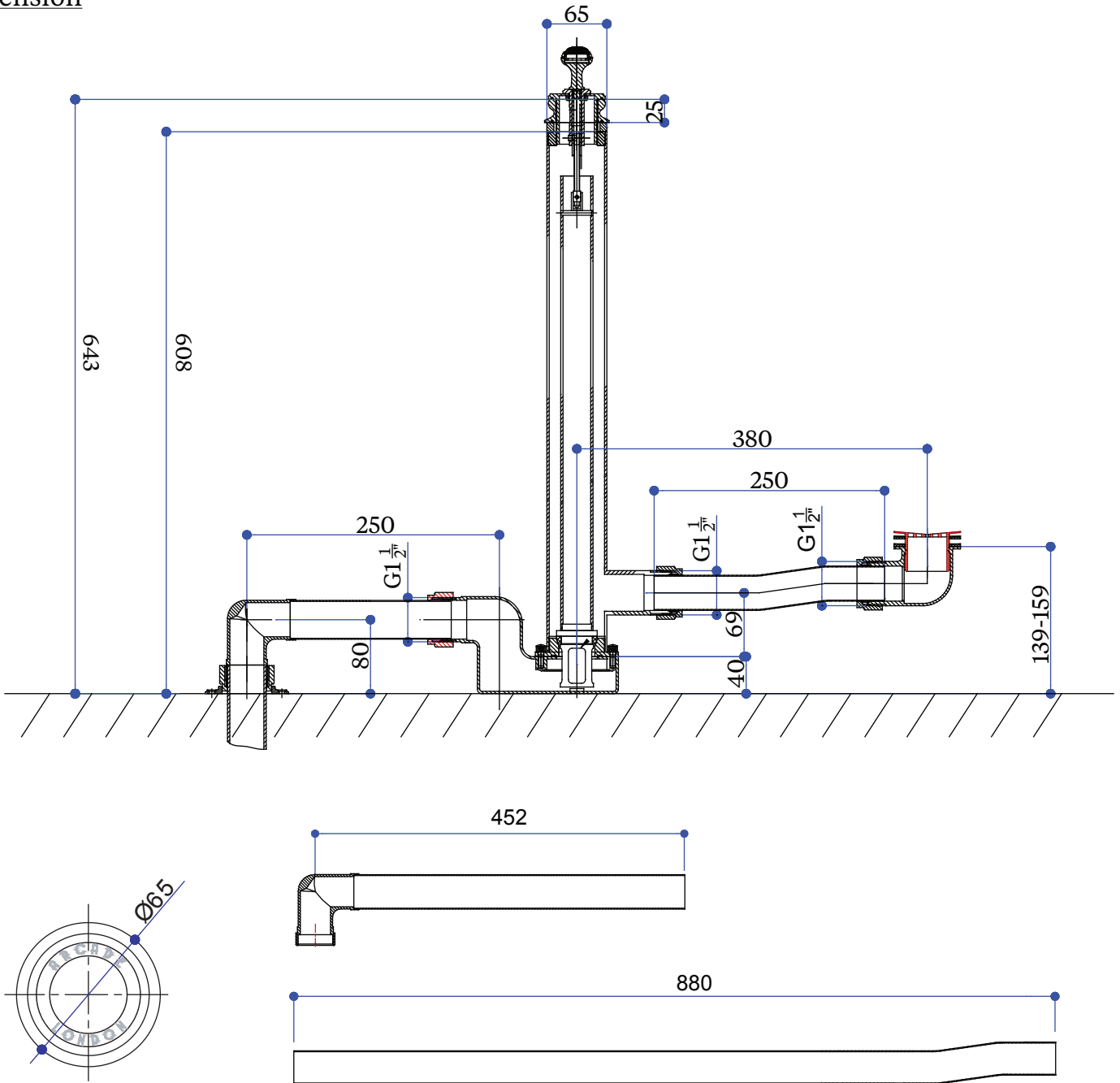
Installation



To install the waste outside the bath.

- A) Insert the plunger cover into the Regal Base and the Ring Base.
- B) There is a screw shaft on the top of inside tube. Screw the inside tube on the plunger cover. Use Allen Key to fix the grub screw.
- C) Slide the inside tube into the outside tube.

Dimension



Based on the different installation condition, you may need the outlet extension, waste extension and cover plates for overflow hole included in the complete Fire Hydrant box. The cover plate kit is designed for baths with pre-drilled overflow hole.

Operation:

To Operate the Waste lift and turn to open, lift and turn to close.

