

# ARCADE™

Arcade floor stand for 600mm basin inc glass shelf

ARC22

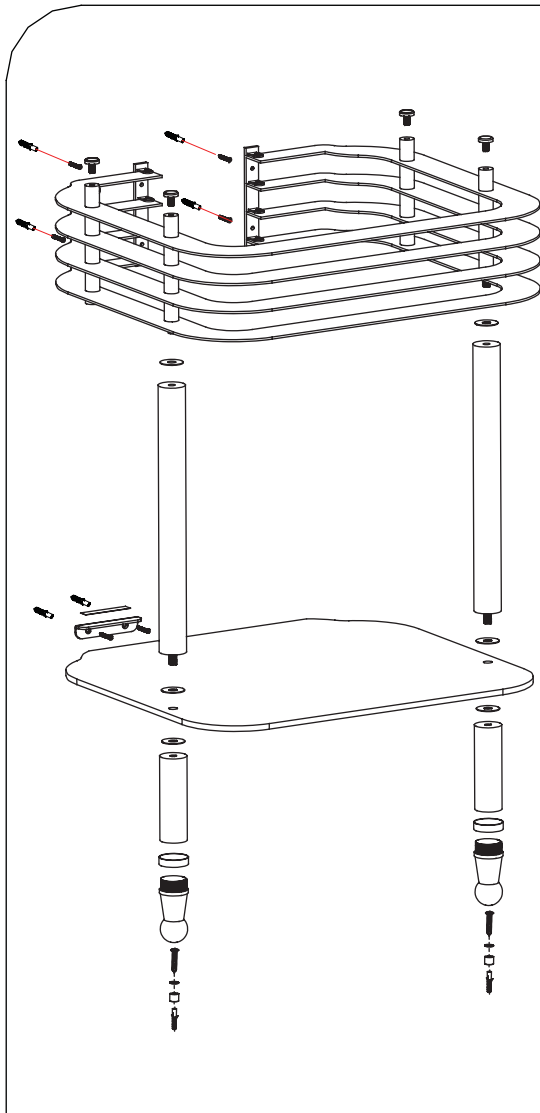
Arcade floor stand for 900mm basin inc glass shelf

ARC23

Arcade floor stand for 1200mm double basin inc glass shelf

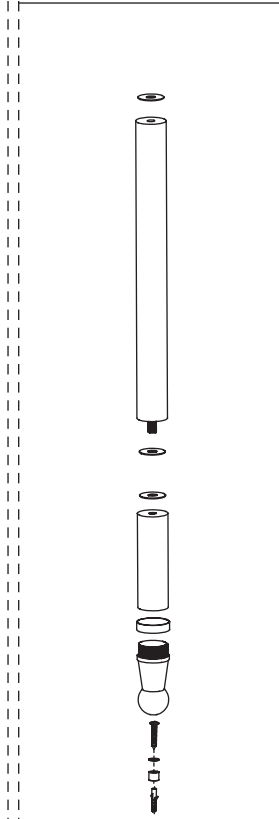
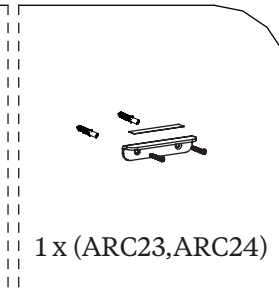
ARC24

## Parts supplied:

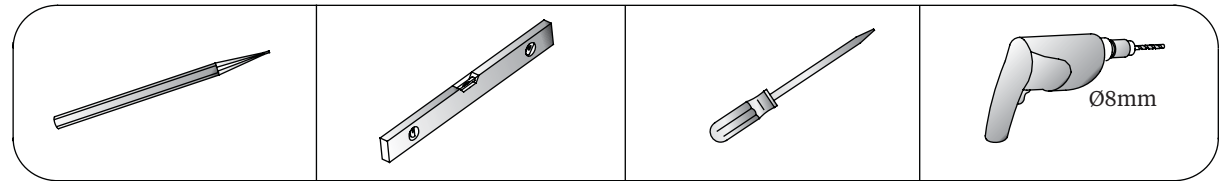


3mm Allen Key x 1

## Additional Parts:



## Tools required:



## Important

- Please unwrap and check it carefully to ensure it has not been damaged in handling or transport.
- Please check that all parts have been supplied.
- Assemble basin stand on a mat to protect against scratch the surface.
- Installation should be completed by at least two suitably competent installers.
- The wall fixings supplied may not be suitable for your installation. You may need to source alternatives depending on the material and strength of the wall you are fixing to.
- Please dispose of packaging in a responsible manner.

## Maintenance

Clean with a damp cloth and washing up liquid or other mild detergent. Do not use strong detergents or cleaners containing abrasives which may scratch the surface.

