

ARCADÉ™

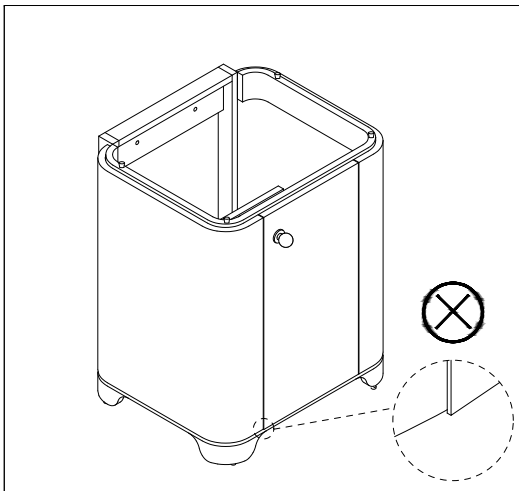
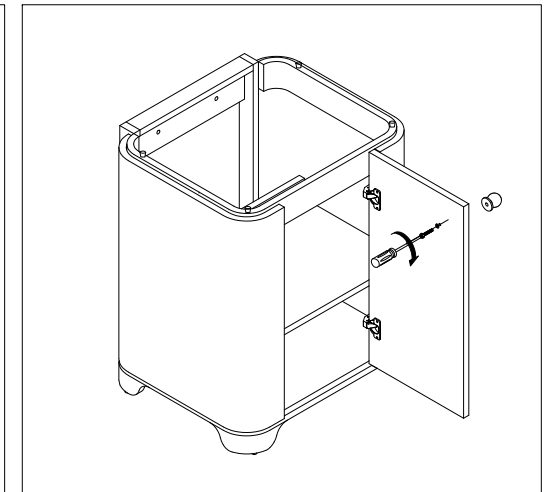
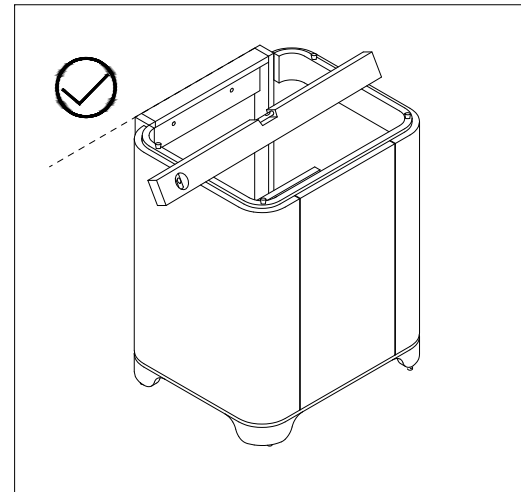
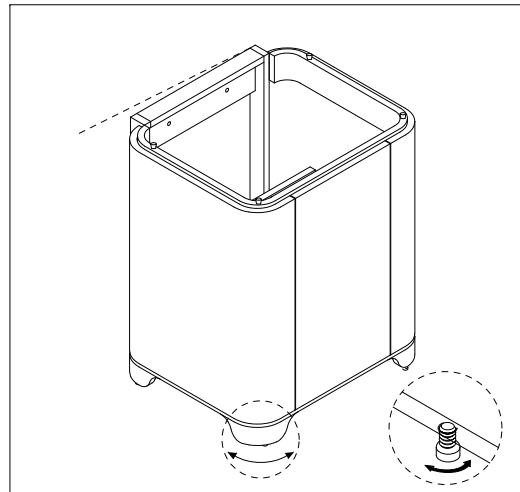
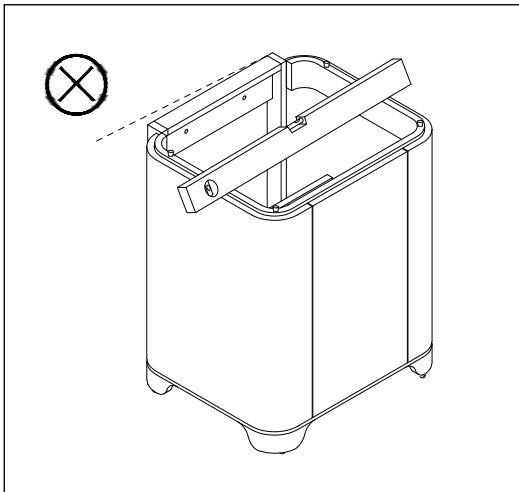
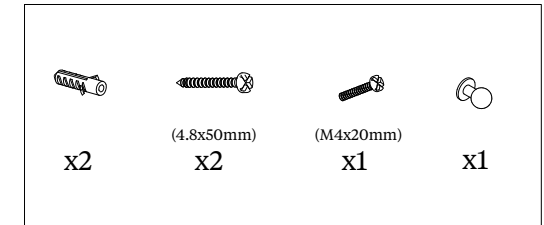
Arcade Sand 600mm vanity unit floor standing without basin - nickel plated door knobs
 Arcade Dark Olive 600mm vanity unit floor standing without basin - nickel plated door knobs

ARC9C
 ARC9M

IMPORTANT: This unit must be securely fixed to a wall. Ensure that the top is horizontal before marking the wall for fixing. The wall fixings supplied may not be suitable for your installation. You may need to source alternatives depending on the material and strength of the wall you are fixing to.

Care and Maintenance: This is wood product, and has a water resistant finish. It should not be left wet, and the quality of the finish is best maintained if it is wiped with a dry cloth after use. It should only be cleaned using a soft damp cloth followed by a dry cloth. Do not use bleach or any abrasive cleaner.

Parts supplied:



- If necessary, the door can be adjusted as below following the diagrams on the right.
 1. Left/right by turning the screw as shown in diagram 1.
 2. Up/down by turning the screw as shown in diagram 2.
 3. Inward/outward by turning the screw as shown in diagram 3.

