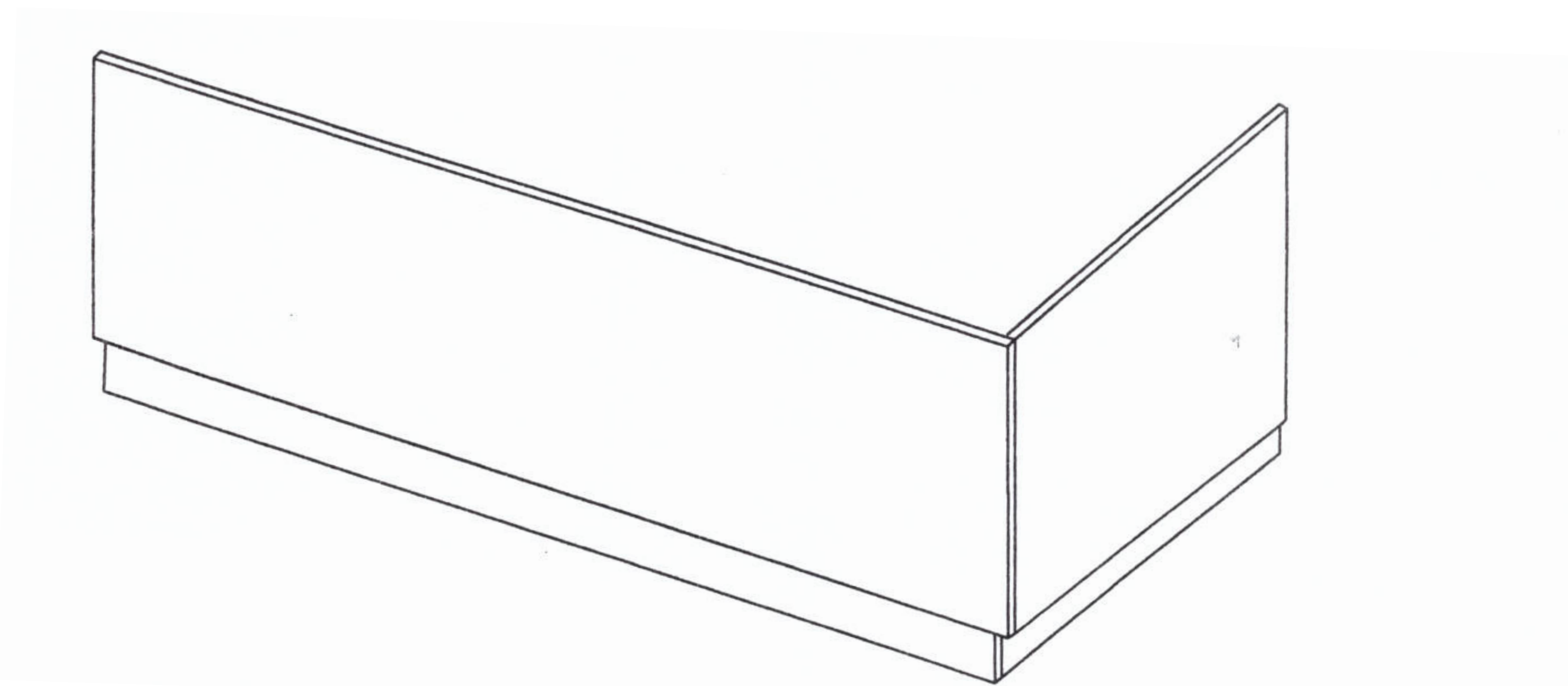
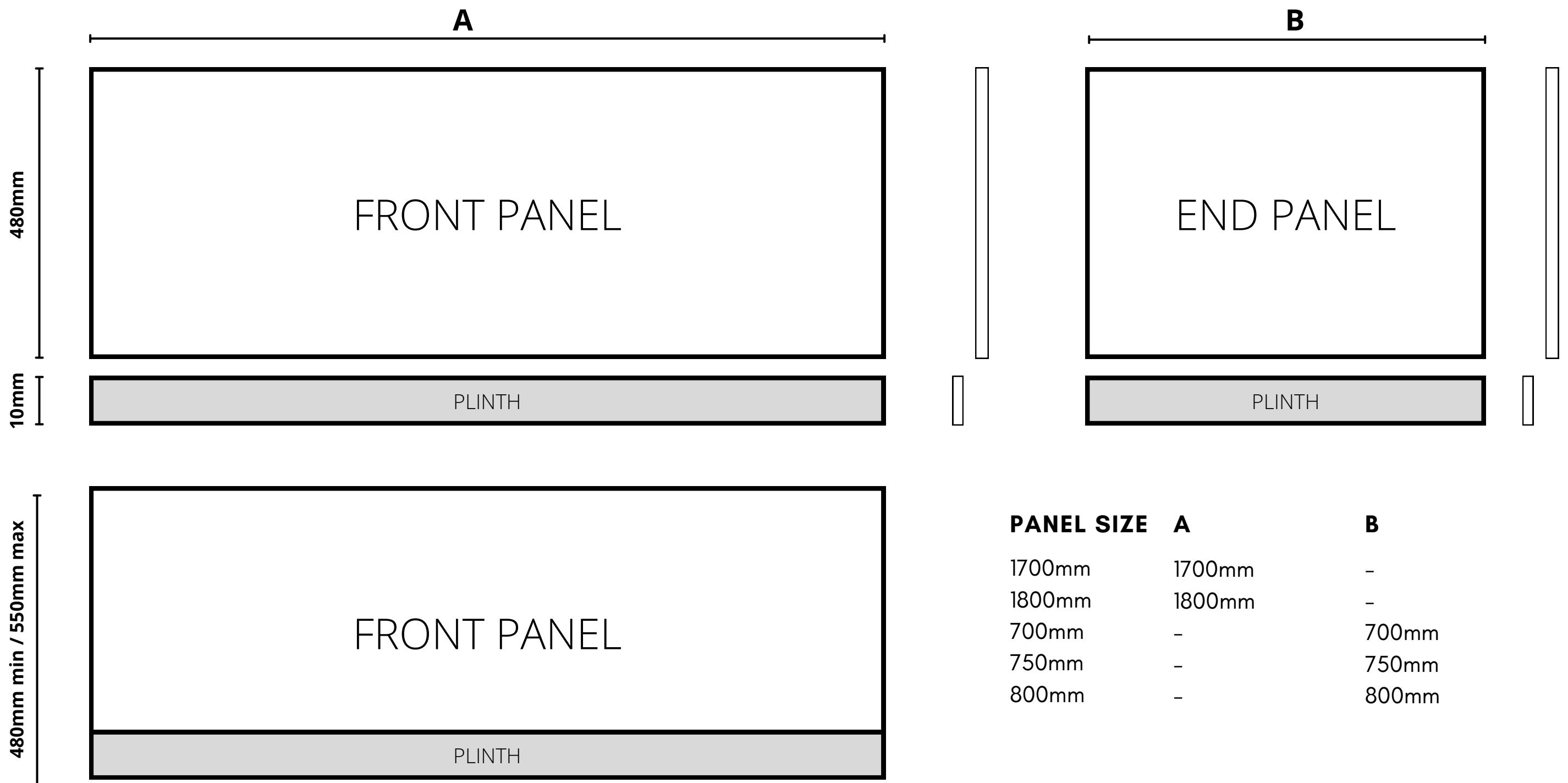


Bath Panel Fixing Instructions



Step 1: Bath panel height. From under the bath rim, measure down to the floor of the bath. This is the height of the bath panel you will need.

Step 2 : Bath panel support. We strongly advise that a frame is built or battens are placed along the floor and up the walls to support the bath panel.

Step 3 : Plinth adjustment. Drill equally spaced holes along the plinth and screw to the bottom of the front panel at the desired height

Step 4 : End Panels adjustment. It is necessary to make adjustment to the plinths so that the front and end panels are together for better finish.

Step 5 : Corner Adjustments. Where the panels meet at the wall, ensure that the finished edge is aligned at the visible corner

Step 6 : Securing Panels. The panels are fastened together using screws and corner brackets provided once the adjustments have been made.