

INSTALLATION AND OPERATING MANUAL

Alto™



Alto ST Steam Shower and Whirlpool Bath

INSTALLERS PLEASE NOTE, THESE
INSTRUCTIONS ARE TO BE LEFT
WITH THE CUSTOMER

Technical Support: 01422 410769

Thank you for purchasing this product. To guarantee the product delivers a long service life, please ensure it is fitted and used in accordance with the instructions contained in this booklet.



Please check that the boxes contain all the items listed below, and report to us any parts that are missing or damaged prior to assembly and within 48 hours of receipt. Damages notified to us after this time will be chargeable.

CAREFULLY CHECK THE PRODUCT IS AS ORDERED: CORRECT SIZE AND COLOUR OPTION BEFORE YOU COMMENCE ANY OF THE INSTALLATION PROCESS

You should ensure that the floor where the shower is to be located is smooth, level and able to support the weight of the product when in use.

Installation requires a qualified plumber to provide the correct connections to water and waste. Failure to have the shower installed by qualified fitters will invalidate your warranty.

Please ensure that all connections are water tight, safe and insulated (where applicable) as the unit has connections that are made for transport purposes only and are not fully tightened.

Pack contents:

- 1 x Tub base with pre-fitted waste and whirlpool system
- 1 x Central, tower panel with pre-fitted body jets
- 1 x Shower Valve
- 2 x Braided water supply hoses
- 2 x White rear glass framed, white glass panels (marked left and right)
- 2 x Clear glass, curved doors
- 2 x Fixed (flat) clear glass side panes.
- 2 x Silver curved front frame pieces
- 2 x Silver upright pieces
- 1 x Monsoon rain shower (may be pre-fitted)
- 1 x White Acrylic ceiling inc. speaker, fan, lights and ozone unit
- 1 x Hand shower, riser bar and chrome hose and fixings
- 1 x Glass shelf and fixings
- 1 x Magnetic door seals (pair)
- 4 x Flapped door seals
- 2 x U Seals
- 8 x Twin wheels, shower door rollers.
- 8 x Door roller stoppers
- 2 x Chrome finished door handles
- 1 x USB Connector cable
- Fixing screws

Refer also to contents list with images on the next pages.

Contents

Product Contents List with Images

Important Notice

Before you Begin

Assembly

- Fitting the Shower Valve
- Leveling and Fitting the Tub
- Fixing the rear panels
- Central Tower Installation
- Front Frame Assembly
- Installing Fixed Side Glass Panels
- Glass Retaining Clips
- Shower Ceiling
- Temperature Sensor
- Runner Wheels
- Door Handles
- Overhead Shower Fitting
- USB Connector
- Hand shower and Riser installation
- Fixing and Assembly of Glass Shelf
- The Shower Valve Connections
- Door Seals

Water Connections

Schematic Water and Electrics Diagram

Electrical Connections

Sealing the Shower

Final Testing

Completion

Valve Operation

Electronic Control Panel

Bluetooth Pairing

Safety Precautions

Whirlpool Operation

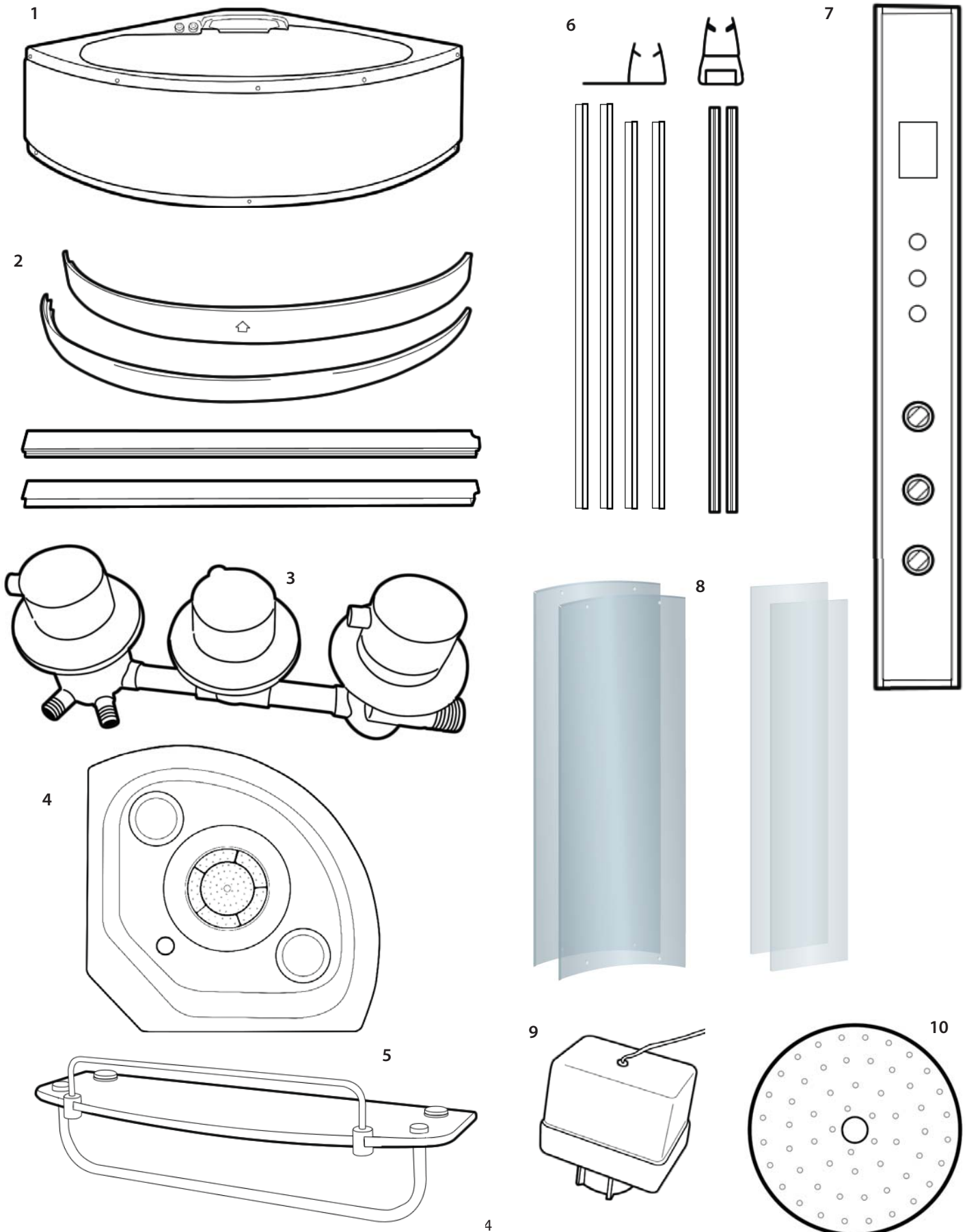
Cleaning and thirds party product use

Additional information and help

Thermostatic Cartridge

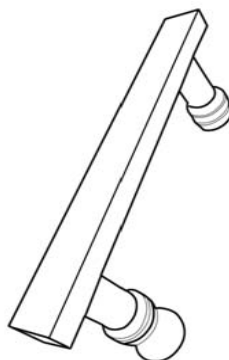
Alto Steam and Whirlpool Shower Contents

Below is a list of the parts you should have received for the installation of your shower. Please note that several parts may be pre-fitted in place, such as the monsoon shower head, etc. Please note, the design and shape of parts may change occasionally but will always offer the same or greater functionality.

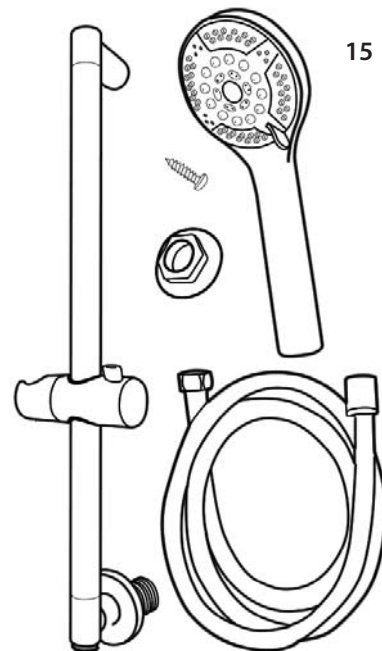


1. Tub Base with waste assembly and flexible waste pipe pre-fitted. Whirlpool pump and system pre-fitted.
2. Two straight metal sections and two curved rail sections in a silver finish (Front Frame).
3. Thermostatic shower valve and 2 braided hoses.
4. Ceiling with pre-fitted speaker and fan. (Ozone and Monsoon maybe included)
5. Glass shelf and fittings.
6. Two Long Flapped seals and two slightly shorter, plus a pair of Magnetic door seals.
7. Tower with and Body Jets electronic control panel.
8. Two clear glass doors. Two flat clear glass side pieces.
9. Ozone unit (item may differ in appearance).
10. Monsoon shower head (may be pre-fitted in ceiling).
11. Two white glass, frames rear panels.
12. Screw fixings.
13. 8 Door stops, short fixing screws and cover caps.
14. Two pairs of door handles.
15. Hand Shower, riser bar, chrome hose and fixings.
16. USB Extension Cable.
17. Four upper door cam wheels (fixed) and four lower (quick release) cam wheels.

14



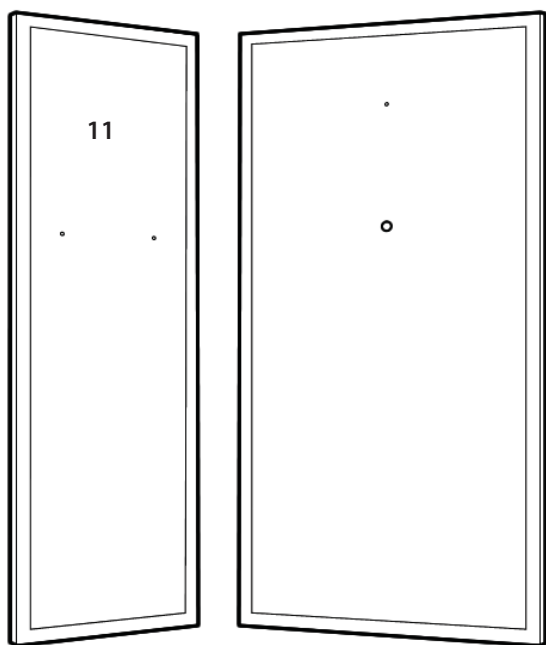
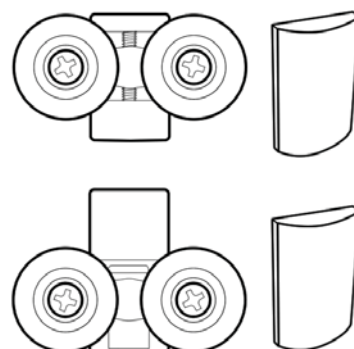
15



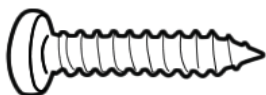
16



17



12



13



x 8



Please check you have all these parts and they are in a condition suitable to install BEFORE you commence installation. We accept no responsibility for delays due to waiting for replacement to arrive.

IMPORTANT NOTICE

Before you proceed with fitting your Alto Shower please read and understand the following:

By commencing testing and installation of the unit you are agreeing to the Terms and Conditions set out by us and copies are available by contacting us by telephone (details on the cover of this manual).

You are required to ensure the purchased product dimensions allows for ease of passage to the intended installation area.

Regarding weight tolerances of installation area, it is advisable to contact a builder or refer to Building regulations to ensure the product placement area has sufficient joist/floor support.

1. It is important that you ensure that your purchase has been delivered undamaged. You are required to check the contents and report any damage that you feel needs repairing or replacing within 48hrs of receipt of goods. Items reported damaged after this time WILL be chargeable.
2. The product you have purchased is NOT designed for home DIY fitting. You are required under the Terms of the Warranty to get the unit fitted by a qualified specialist. The product requires connection to electricity this may require a Part P qualified electrician.
3. We are a supply only company. If you report to us any damage we will send replacements or solutions to remedy the problem described. We endeavor to fully understand the problem first by asking a series of questions and then propose the solution. We may even ask for digital images to be sent via email to assist the process.
4. You are required to ensure that you correctly water test the tub before fitting and ensure that your fitter fully tests the unit upon completion and attends to any leaks and faults before he leaves.
5. All hoses, such as to the valve assembly, shower outputs and air switches and waste are fitted for transport purposes and need to be properly sealed and tightened before use. During transportation some connections can become dislodged and therefore break any watertight seal, you are required to ensure that your fitter specifically tests for these possible occurrences and seal/fix accordingly.
6. **Do not book your fitter until you have inspected the unit. We cannot be held responsible for delays and costs incurred by fitters having to return to fit parts that need supplying.**
7. We cannot be held liable for inconvenience caused due to lack of bathing facilities caused by any delay in receiving your product or whilst awaiting parts.
8. Regarding our sales and technical support: We know our products and their requirements, but we are not qualified plumbers and accept no liability for claims suggesting the same. You are advised to check the suitability of the product with a professional body. It is the customer responsibility to ensure the product is fit for purpose.

Before you begin



Tools needed to assemble this shower cabin:

Electric screwdriver with a selection of heads, regular screwdrivers, pipe grips, spanners, spirit level, sharp knife and rubber mallet. Connection of the electrical supply and plumbing may require additional tools.

There is a drill bit supplied with the kit, to allow either widening of holes or drilling new holes which you feel cannot be located during construction.

Water requirements

This shower requires two water supplies (1 x hot and 1 x cold) tested to be between 1 and 3 bar, with a flow rate over 7.5 litres per minute.

NOTE: We recommend water pressures over 2 bar to achieve optimum showering results.

Gravity Fed systems

If you have a Gravity fed system, then fitting a Shower Pump is recommended. Fitting a Twin Impeller Shower pump rated over 2 bar is necessary as a minimum. Shower pumps MUST be properly sited, installed and commissioned. Incorrectly installed shower pumps will cause adverse effects to your showering and bathing resulting in pulsing or starting and stopping of the pump. If a pump is installed, a separate Mains Cold supply must be fitted and directed to supply the Steam Generator separately (bypassing the pump).

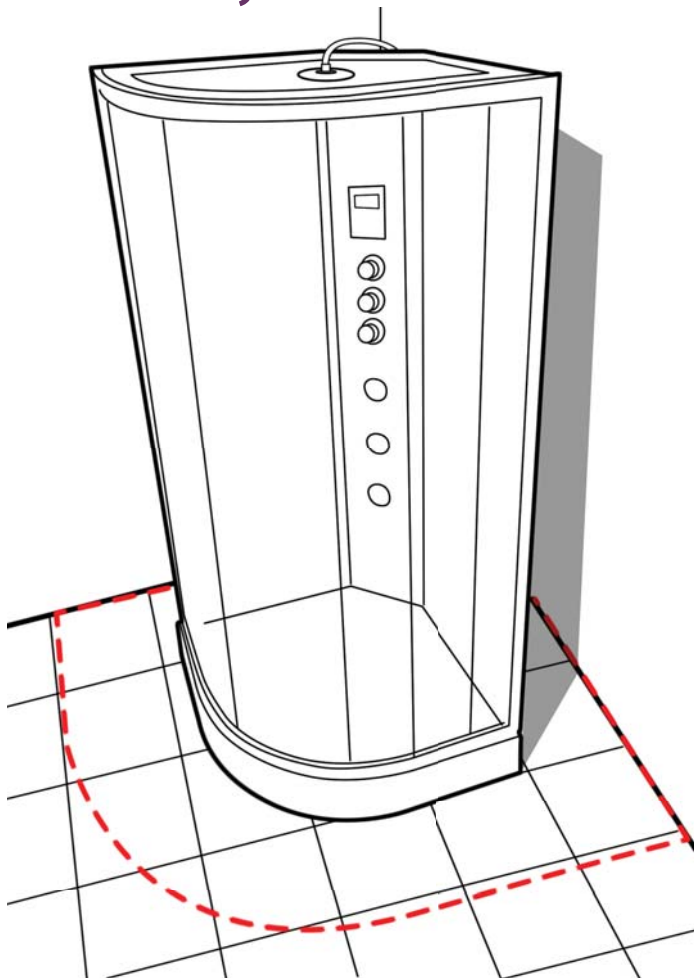
Isolating Valves

Whilst not a requirement of the showers installation, we would always recommend fitting these as it enables you to turn off the water supply to the shower when not in use (for example going away on holiday). Additionally isolating valves makes service checks easier than locating the house stop cock.

Electrical

This model requires an electrical supply, this MUST be in the form of an ISOLATED FUSED SPUR. It is both illegal and dangerous to fit this shower to a plug socket in a Bathroom environment. The product may be supplied with a plug, this is pre-fitted for testing purposes only and should be removed to complete the install.

Assembly



Do not fit the shower into locations where you do not have at least 40cm access all around the cabin both for installation and for future service access.

We advise you do to fit sinks, toilets etc that restrict access behind the shower.

You must ensure you can slide the cabin away from the wall/corner for service access.

Smooth and level walls and floor are required for ideal installation conditions. Avoid carpet or vinyl floors.

Please ensure you have correctly water tested the tub before you continue.

NOTE: The base and roof will have a protective film that must be carefully removed before assembly.

Please inspect all parts carefully before assembly.

BY COMMENCING ASSEMBLY OF THIS SHOWER YOU ACCEPT THAT THE PARTS HAVE ALL BEEN CHECKED AND ARE UNDamaged.

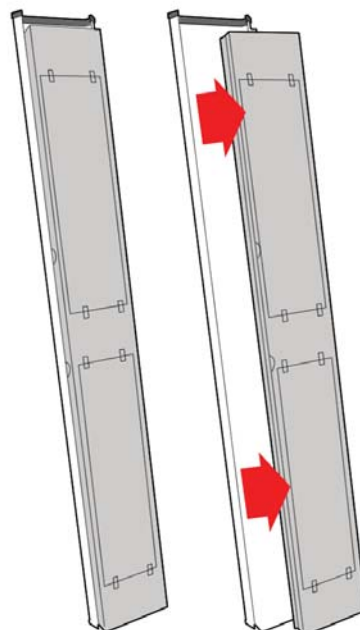


This product is fitted with toughened safety glass. The glass is stronger than regular glass and if it breaks it will form small pieces of cubed glass, not dangerous shards of glass. These small pieces are still sharp, so care must be taken to handle broken glass with care.

If the glass is put under stress or is chipped it will break.

DO NOT ALLOW THE GLASS TO IMPACTED HARD SURFACES OR OBJECTS AS THIS MAY CHIP/WEAKEN THE GLASS. WEAKENED GLASS THAT IS CHIPPED OR UNDER TENSION MAY SHATTER AT ANY TIME, NOT ALWAYS IMMEDIATELY.

REMOVE THE WHITE PLASTIC COVER ON THE BACK OF THE TOWER PANEL



Fitted to the rear of the tower panel is a white plastic protective cover. This part is fitted to protect the valve and pipes during transport.

REMOVE and DISPOSE of this part as it is not needed.

1. FITTING THE SHOWER VALVE

The Thermostatic Shower Valve will need to be fitted into the central tower panel into the three pre-drilled, vertical holes available for it.

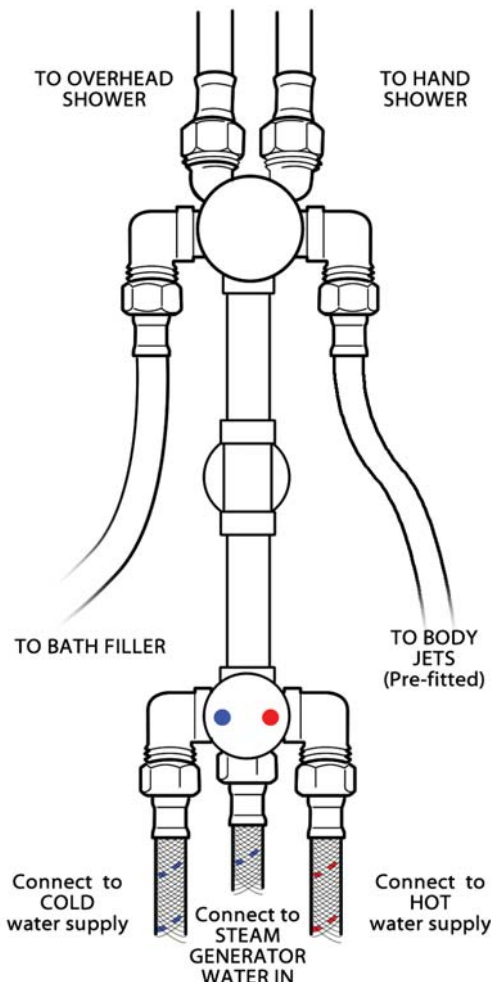
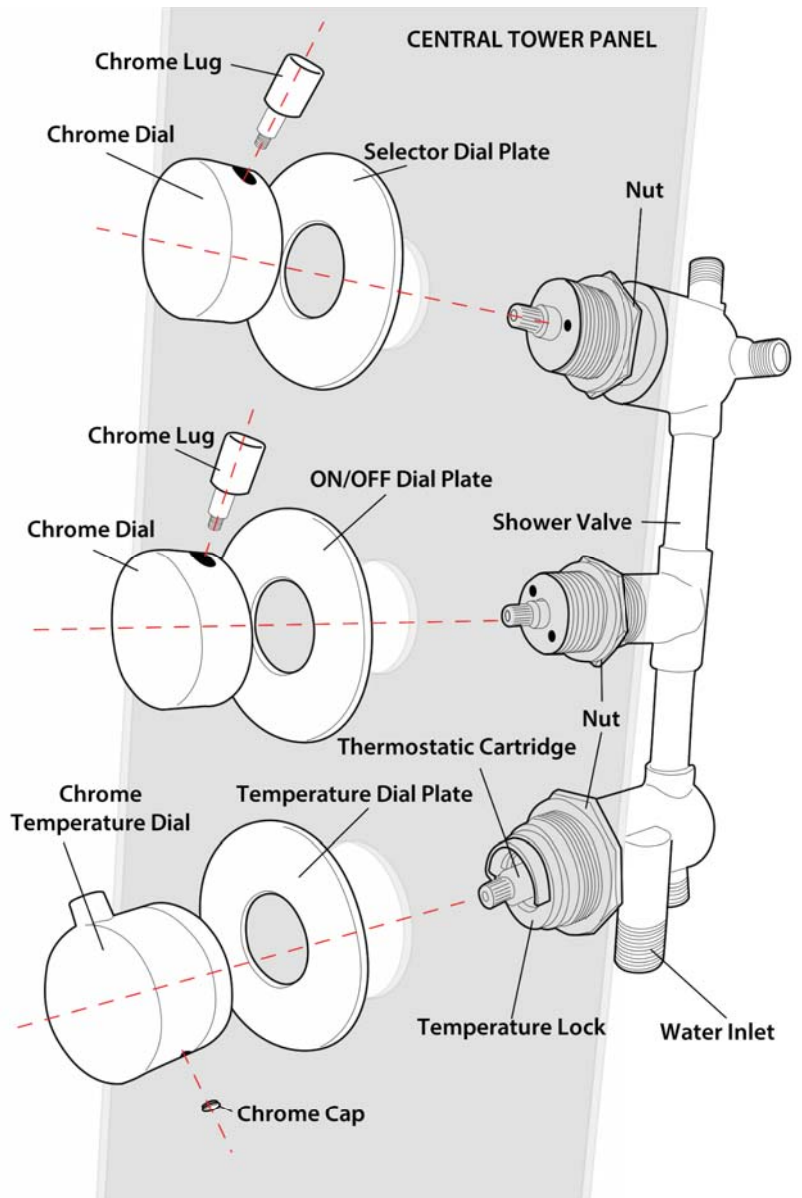
First remove the 3 Chrome Dials from the valve.

The Selector Dial and ON/Off Dial are removed by unscrewing the Chrome Lug on the side. Once removed this should also come free with the threaded grub screw part in place, so the dial will now pull off.

The Temperature Dial has a small silver cap on the opposite side to the Lug. Remove this cap and insert a 2.5mm Allen Key inside to the grub screw. Turn a small amount to loosen (not remove) and then pull the dial away.

Next unscrew each of the Chrome Dial plates.

Now position the valve from the rear of the central panel to align with the holes and push through the holes.



Re-fit each of the Chrome Dial Plates from the front of the panel. This will now hold the valve in position.

Adjustment can be made to the rear nuts to allow the valve to be seated correctly against the panel.

Now you can re-fit each of the chrome dials, remembering to fit the lower (thermostatic control dial) on the lower most position.

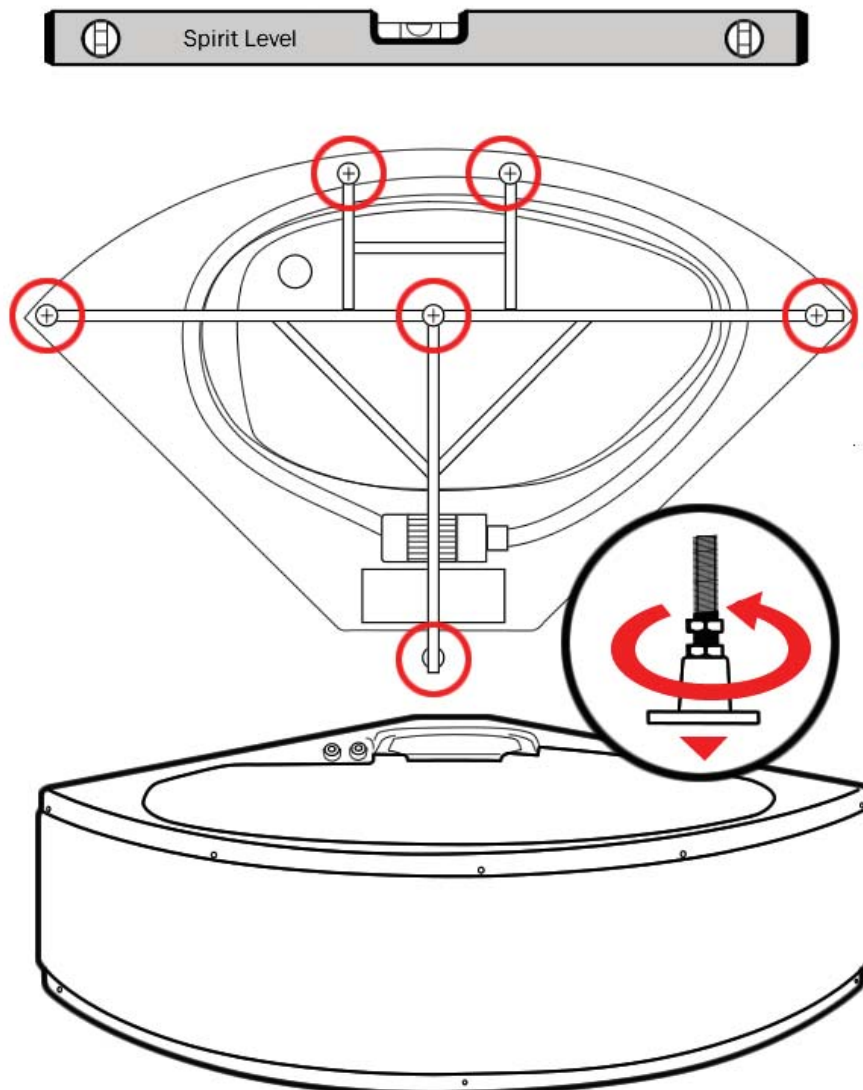
Now the valve is in position and tight you can fit the two WRAS approved, Braided hoses to the water inlets at the bottom of the valve in preparation for connecting to water at a later stage.

Connect also the silver/grey hose from the overhead shower that is pre-fitted to the upper part of the central panel. Ensure this connection is watertight.

2. LEVELING AND FITTING THE TUB

Remove the protective film covering the tub base.

Connect the soil pipe, trap and any couplings to the flexible waste under the tub. You may choose to fit either a HEPV0 trap with the appropriate couplings or choose to fit a McAlpine ST28M coupling to a McAlpine 28-NRV trap.



Position the tub base in what will be its final location and adjust the feet until the base is level. You can raise/lower the feet under the tub and with a spirit level laid across the tub, ensure the tub is level.

Now fill the base with some water and check that the water flows adequately to the plug and exits satisfactorily. If the water does not flow to the plug fully, then you will need to increase the fall on the tray by adjusting the legs. If the water does not exit the waste section fast enough, then ensure there is suitable fall in the waste pipe and/or no blockage or kinks in the pipe work.

Check and attend to any leaks.

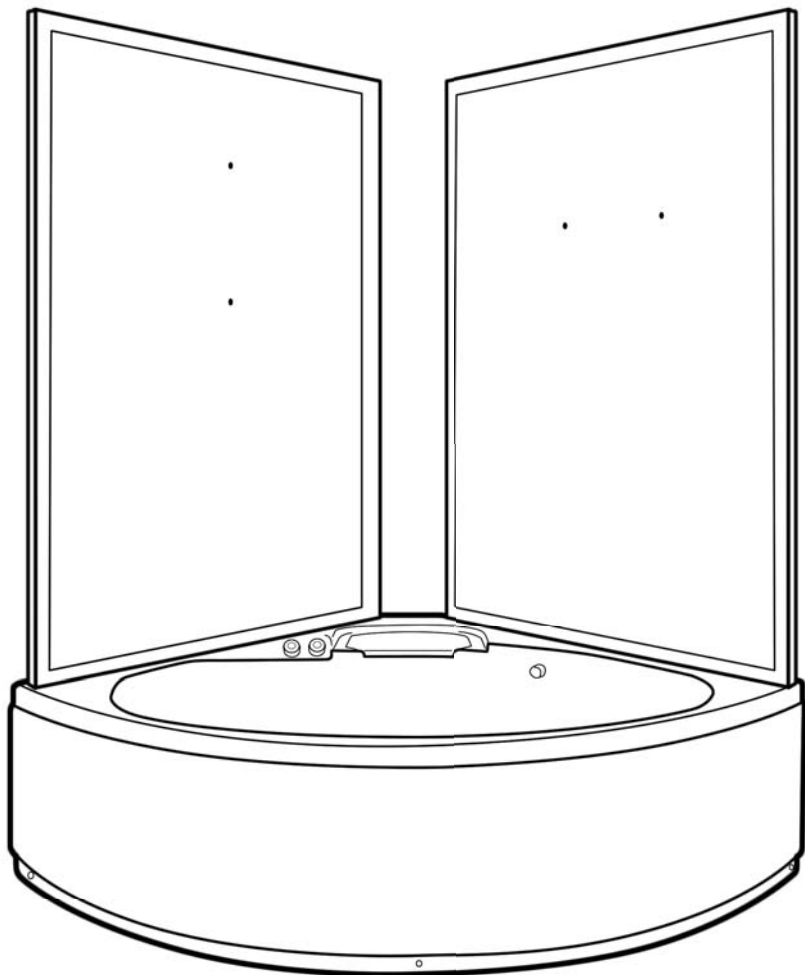
Now slide the tub away from the wall to allow access all around the shower as you assemble.

This product is freestanding so you do not need to fix the feet to the floor.

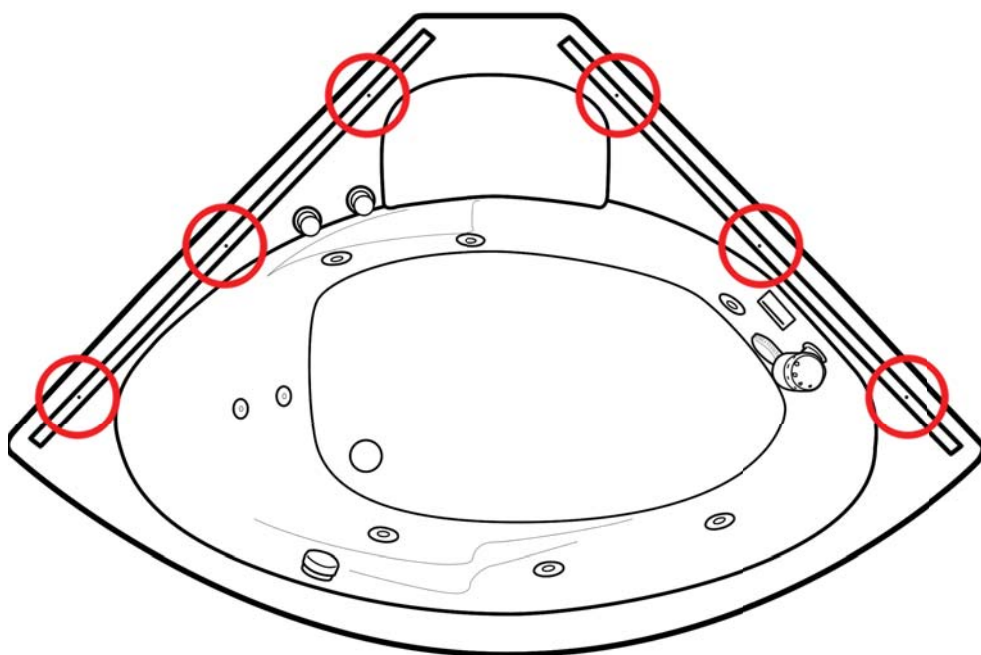
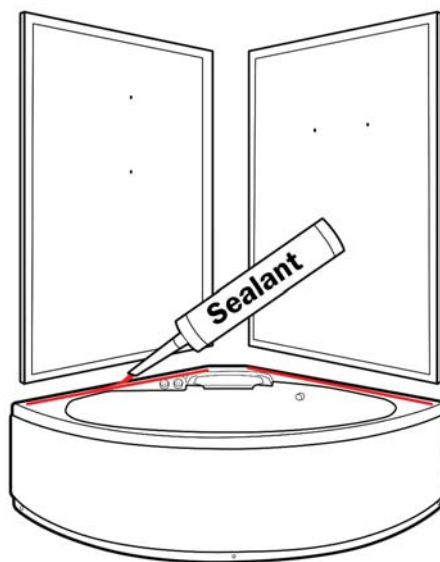
3. FIXING REAR GLASS PANELS

The two rear, framed glass panels are labeled LEFT and RIGHT as you would face the shower. Position each panel in place in turn so that the lip in the frame with the screw fixing holes is positioned to the rear. Using the screws provided, fix each panel in turn to the tub base. The panels will NOT support themselves with the screws only, so you MUST support them until the next stage.

It is recommended that you fix each of the three screws on the panels loosely at first to ensure all screws find their correct position before then tightening them all fully.



A bead of Sealant can be applied along the line where the rear glass panels will be placed.



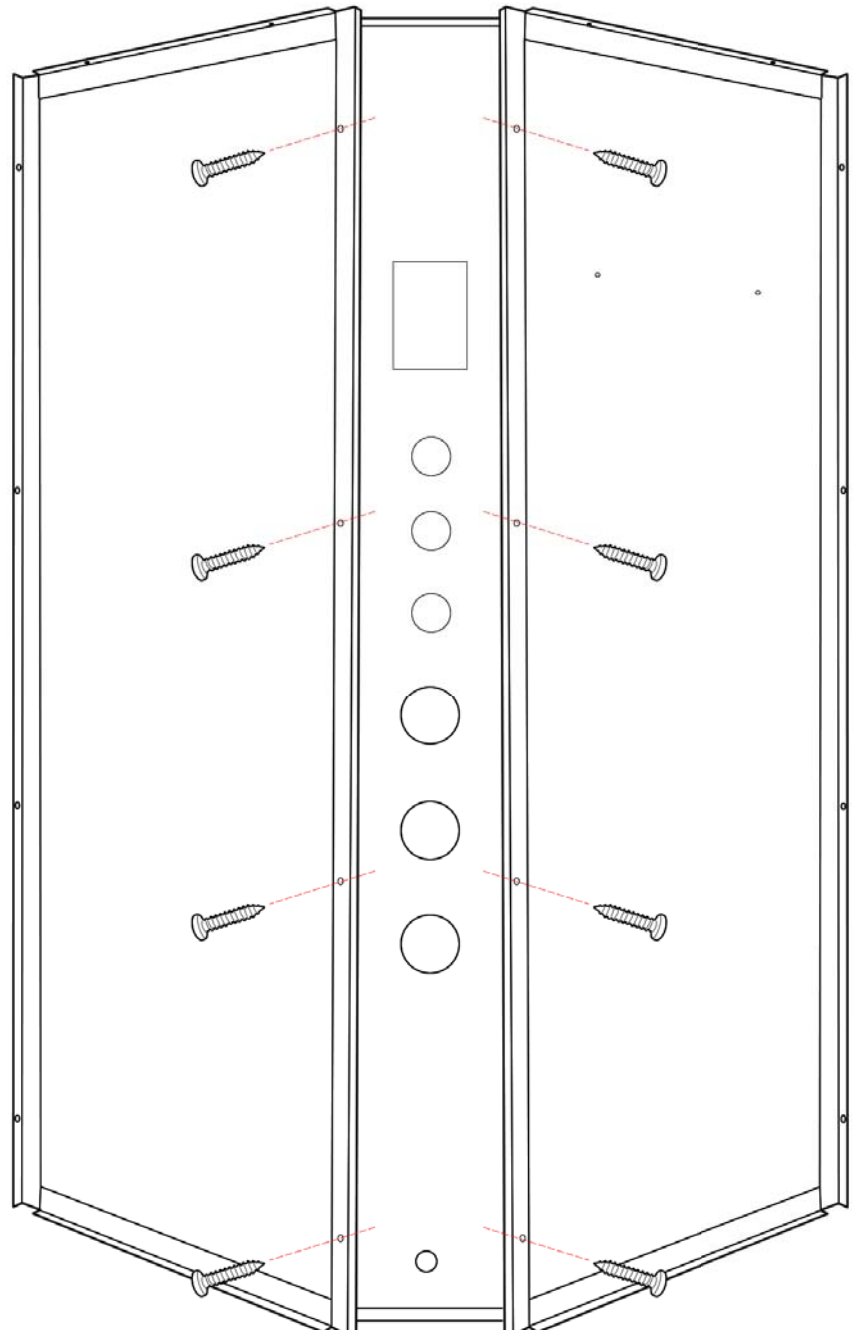
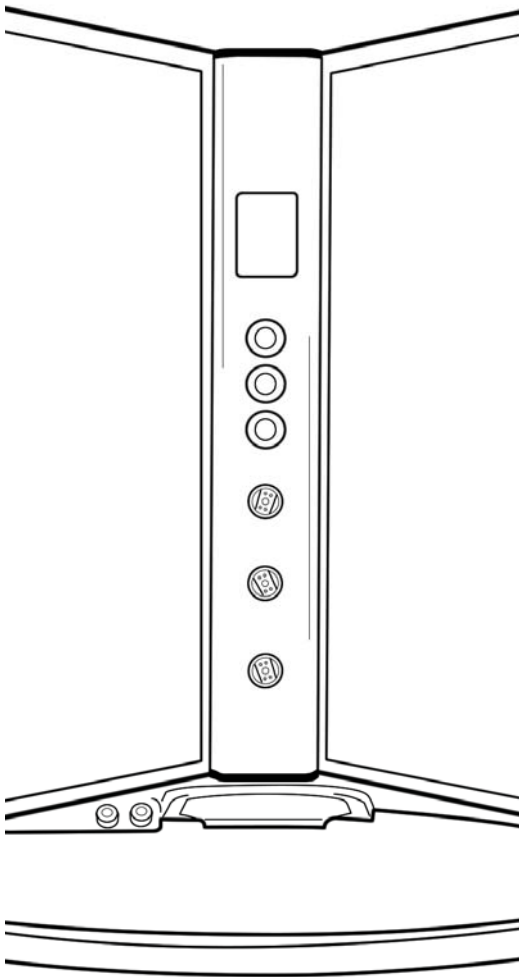
4. CENTRAL TOWER PANEL

Offer up the central tower panel from the inside of the cabin between the two rear panels.

Moving to the rear of the cabin, adjust the Tower Panel to align the holes in the long vertical edge of the tower with those in the back panels.

The Tower and back Panels are joined using the small screws. In the first instance, loosely fit the screws, ensuring all screws can locate correctly - this allows movement of the parts to do so. Once all screw are located successfully, tighten them fully.

If necessary, holes can be drilled or adjusted using a small drill bit.



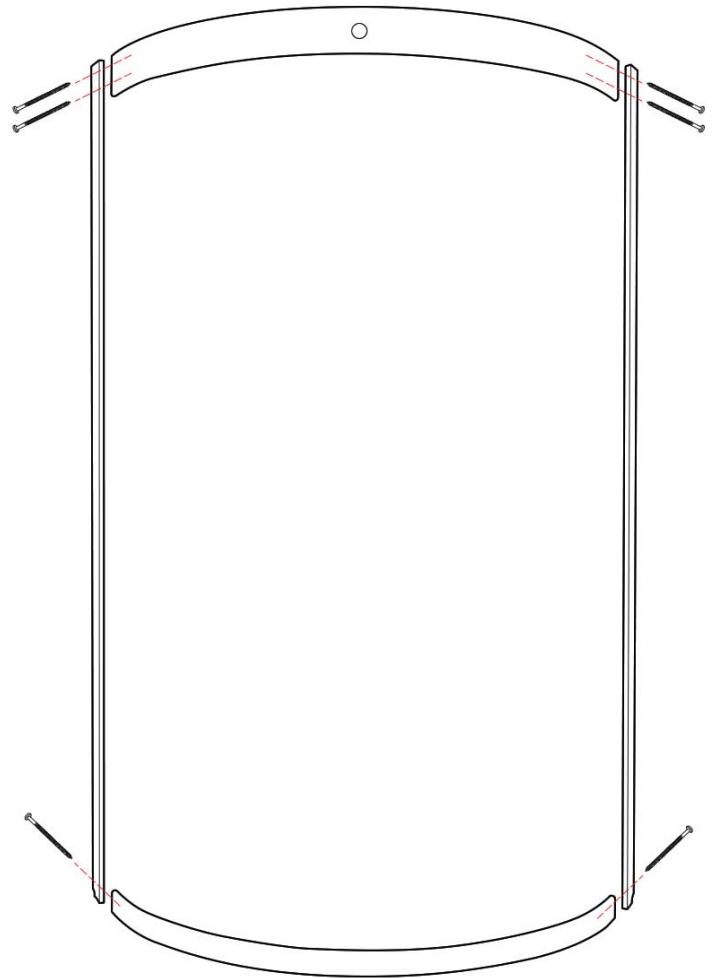
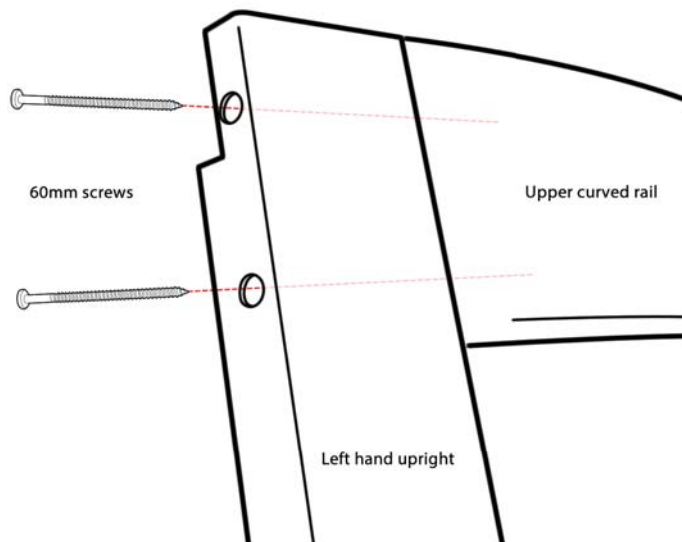
5. FRONT FRAME

Locate the two silver coloured upright frame sections and the two curved frame rail sections. You will need the 8 x LONG screws to join these sections together.

The upper rail is deeper height than the lower rail. Align the upright with two holes in, to the upper curved rail. The screws pass through the holes in the side of the upright and fasten into the curved rail as shown in the diagram below.

A power driver is advised for this process.

DO NOT FULLY TIGHTEN THE SCREWS - ALLOW SOME MOVEMENT IN THE FRAME FOR INSTALLING THE FIXED GLASS



Repeat the process on the other upright.

Finally, join the lower curved rail to the other ends of the uprights using a single 60mm screw.

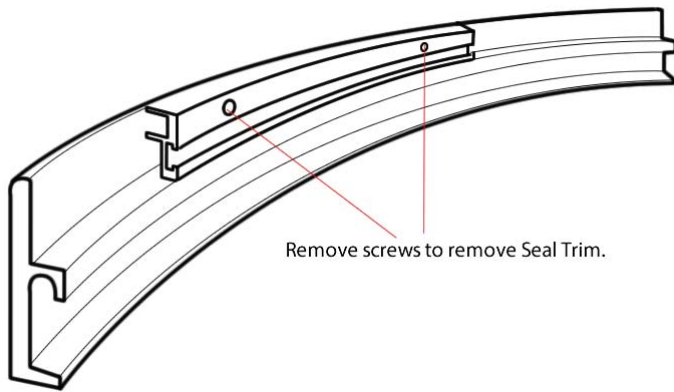
You now have completed the front frame assembly.

**Upper Curved Rail
Frame Section**

**Lower Curved Rail
Frame Section**



6. INSTALLING THE FIXED SIDE GLASS PANELS



Remove the SEAL TRIM that is located in the inside edge of the lower curved rail. It is held in position by two screws. Remove this trim to help you fit the fixed side glass panels. You will need to re-attach it after the glass is fitted.

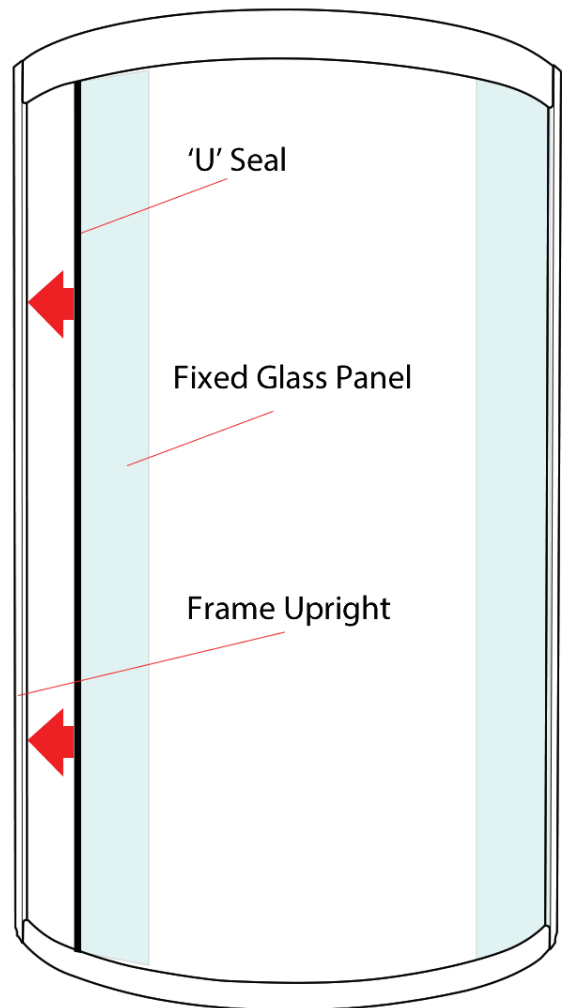
Locate the two fixed glass panels. These are different from the doors as they do NOT have any holes pre-drilled.

Locate the two U shaped rubber seals.

Take one of the U shaped seals and fit over one long edge of the fixed glass panels. Trim any excess leaving it running the full length.

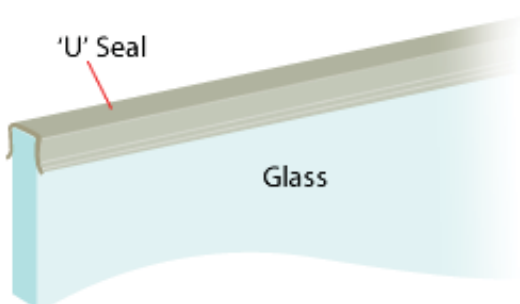
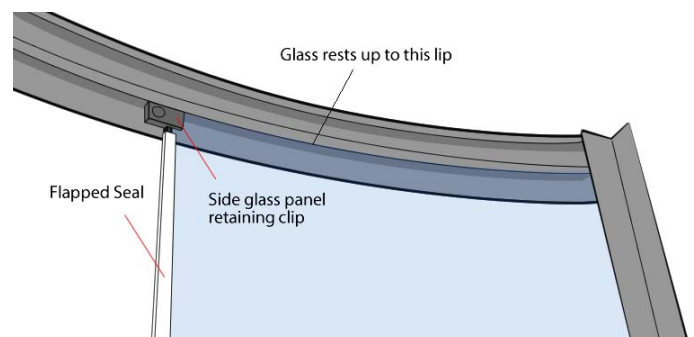
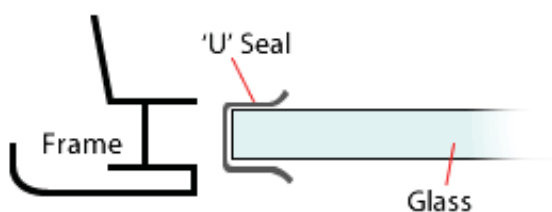
Now position this glass panel up to the frame pushing the long edge of the glass into the upright of the frame until FULL bedded into the frame upright.

This MUST be done from the inside of the frame. The glass will sit within a lip on the inner surface of the curved rail both top and bottom.



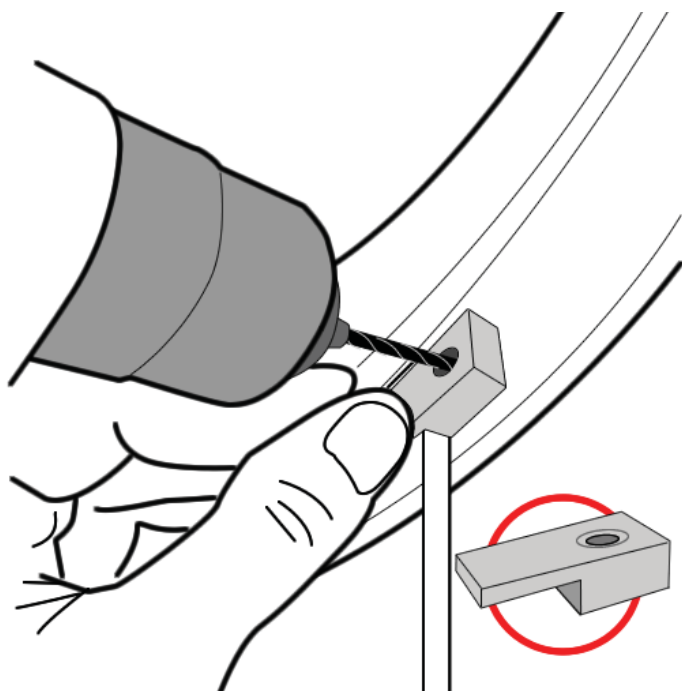
DO NOT HIT GLASS WITH HARD OBJECTS TO PUSH INTO THE FRAME.

View from Top Down



Repeat this process on the other glass panel.

7. GLASS RETAINING CLIPS



Now both glass panels are fully inserted into the uprights you can tighten up the four corners of the silver framework which will not hold the glass in position.

Next you need to fit the Retaining Clips to hold the glass firmly. Position a clip tight up to the glass on the inside of the upper and lower rails, mark the position and drill a small hole then fix a screw to hold the clip in place. Repeat top and bottom on both fixed glass panels.

CAUTION WHEN DRILLING - ONLY DRILL THROUGH THE INNER SINGLE LAYER OF FRAME

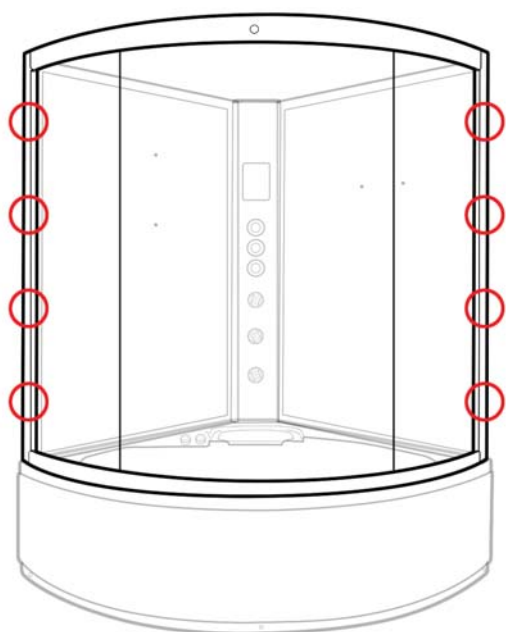
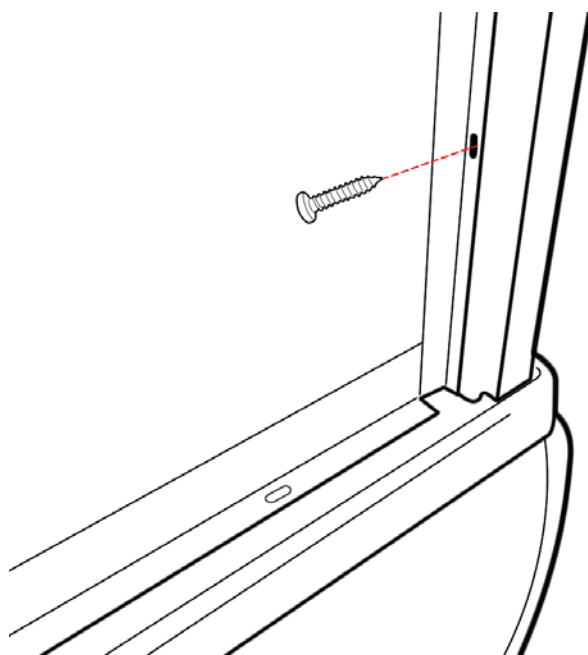
Re-fix the SEAL TRIM back on the inside of the lower curved frame.

8. FITTING THE FRONT FRAME

Place the completed front frame section onto the front of the shower tub and align the uprights of the frame with the rear glass panels so that the fixing holes line up.

From behind the rear glass panel, locate each screw hole into the front frame screw through the lip of the white framework of the rear glass panels into the frame to secure in place. (8 x short screws)

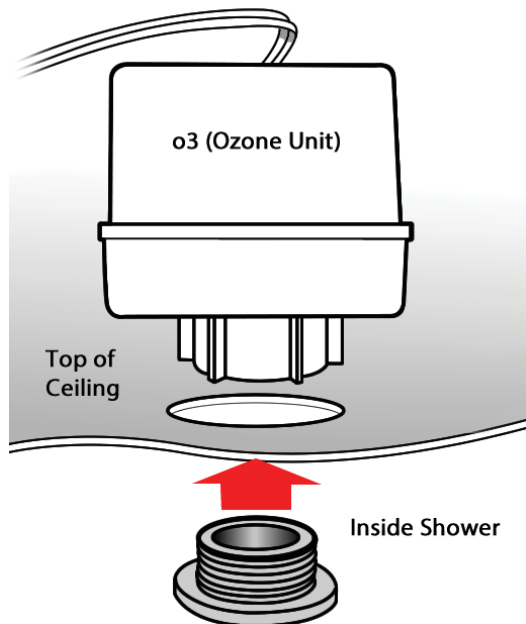
To help ease this process, you may need to use the supplied drill bit in the holes to ensure they are wide enough and clear.



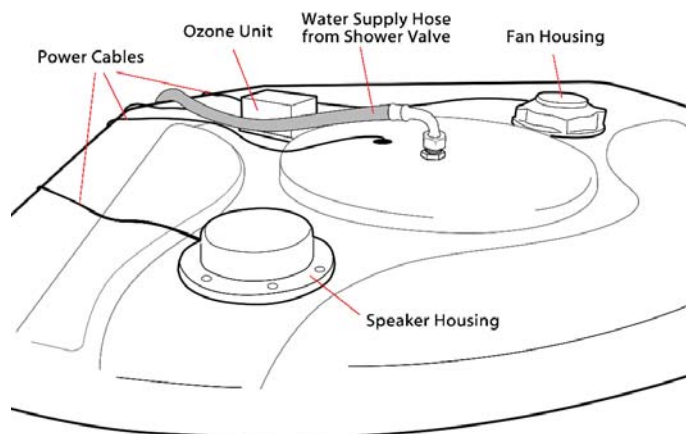
9. SHOWER CEILING

Remove the protective film from the roof/ceiling.

If not already pre-fitted, fit the monsoon rain shower head into the centre of the roof. It is held in place with a retaining nut located on the outer/ upper face of the roof.



Ozone unit may differ in shape from this representation



The speaker, fan, and light will be pre-fitted. Ensure all the cables are unraveled to enable location and connection at a later stage.

The Ozone unit is supplied separately and will need to be fitted. Unscrew the chrome end from the main body of the ozone. Position the white unit on the up (outside) of the roof and fasten in place by screwing the chrome end into it.

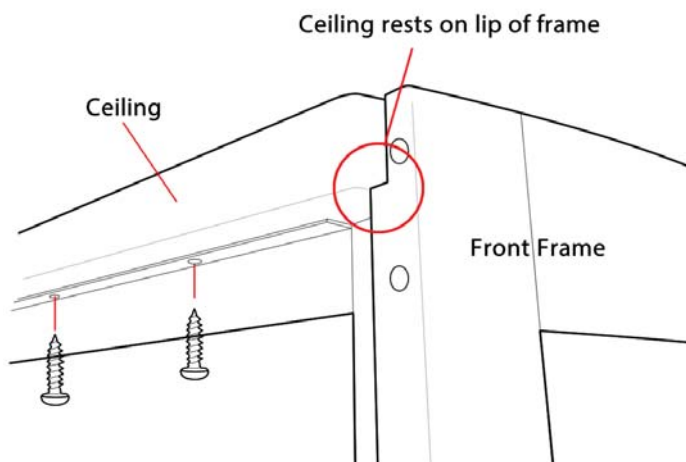
The Ozone will be located over the hole in the roof towards the back corner.

You can now place the ceiling onto the shower. The front will sit behind the front silver frame and the rear will rest on the top of the rear glass panels.

The ceiling is fixed in position at the REAR ONLY by screwing up through the re-drilled holes in the rear panel, into the ceiling. Fixing requires 4 of the short screws, two along each flat side of the ceiling.

Now ensure all the cables for the ozone, light, fan and speaker are hanging down the back of the shower ready to connect.

REMOVE PROTECTIVE FILM FROM THE MONSOON



REPLACING THE CEILING LIGHT

Your shower is fitted with an LED 'Halo' Ring light. This light should provide a long service life if used correctly. If you need to change your ceiling light once the shower is installed, please turn off the water to the shower first, then disconnect the water supply pipe to the monsoon rain shower on the roof of the shower. Loosen the retaining bolt for the monsoon and lower into the shower. (we suggest you have another person inside the shower to hold it from falling).

From inside the shower with the monsoon removed, the light diff user cover will also come free. Disconnect the power cable to the light on the roof of the shower, unscrew the retaining screws for the light and remove.

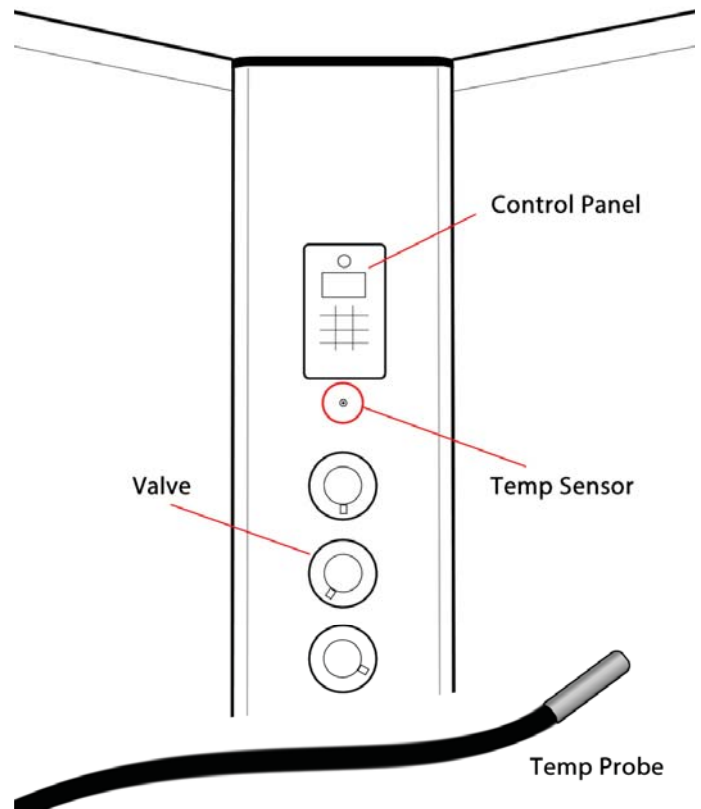
To fit the replacement, simply reverse the process.

10. STEAM TEMPERATURE SENSOR

This steam shower model is fitted with a temperature sensor that monitors the internal cabin temperature. The temperature is selected on the control panel. When the internal cabin temperature reaches the predefined temperature it stops steam production until the temperature falls below, whereupon it re-activates the steam production again.

The steam sensor should be fitted from the rear of the shower. Just below the control panel you will see a small silver grommet. This is where the head of the sensor will project into the shower.

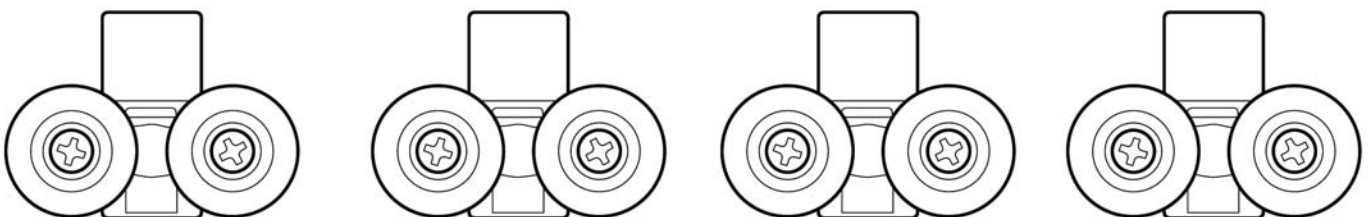
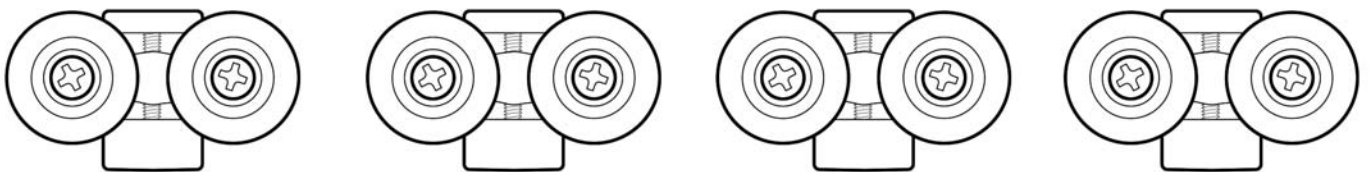
From the rear of the shower, locate the black cable of the temperature sensor. It has a silver tip. Push the silver tip into the rear of the grommet so that its head protrudes into the cabin. Now fix in position with a small amount of silicone.



11. FITTING THE SHOWER DOOR WHEEL RUNNERS

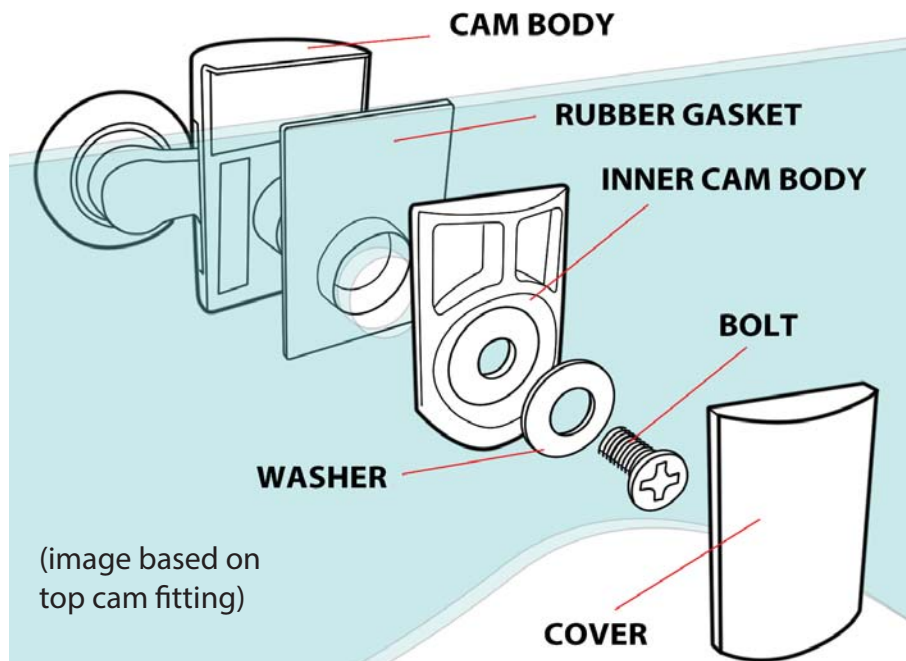
Locate the pack of 8 twin wheel shower door runners (cams). There are two different types provided.

UPPER RUNNER WHEELS



LOWER RUNNER WHEELS (WITH PUSH BUTTON QUICK RELEASE)

Continued...



To fit each of the cams, first select the appropriate cam for the position on the door:

4 x Push button/Quick release for the lower position on the doors.

4 x Standard non push button for the upper position on doors.

Position the Cam Body on the outside facing side of the door (curve pointing outwards). Place the clear rubber gasket between the cam body and the glass. The gasket will fit into the hole on the glass.

On the inside of the door, position the grey plastic inner cam body, then washer and bolt.

Now tighten the parts together with the bolt until firmly held in place.

DO NOT OVER TIGHTEN AS YOU MAY BREAK THE GLASS

With the cam fixed in position, slide on the Chrome finished cover.

Repeat this process of all of the cam wheels.

TO HANG THE DOORS

From inside the shower position the upper wheels into the running tracks on the inside curve of the upper curved rail and then let the door hand down.

From outside the shower, move the door to what would be a closed position and press the quick release buttons on the top of the lower cams and move the wheels to fit into the lower runner tracks.

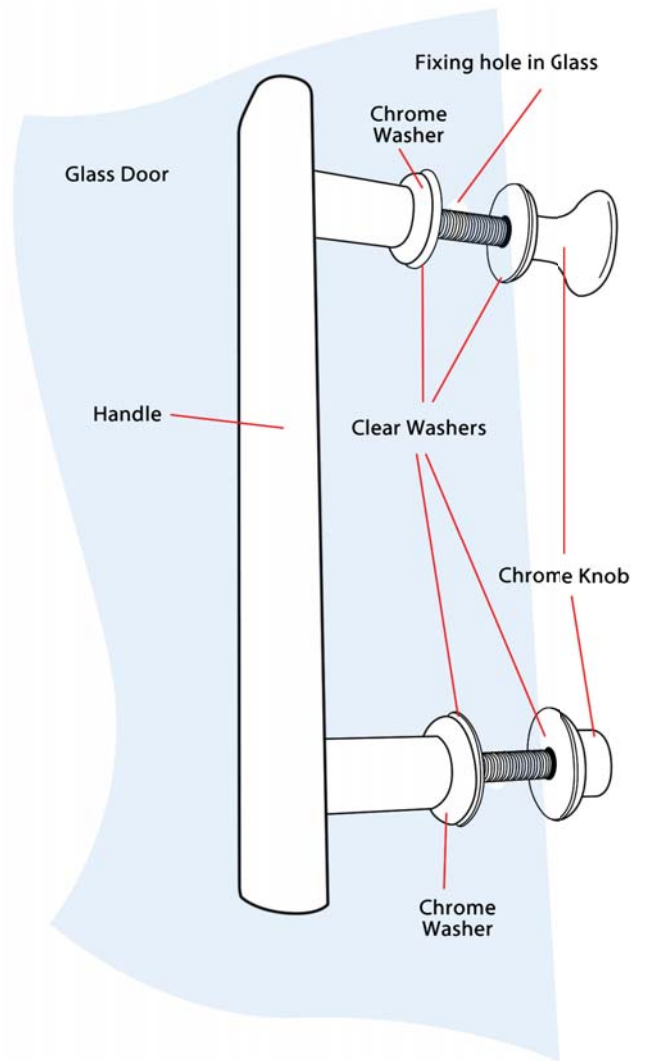
Repeat for the other door.

12. FITTING THE DOOR HANDLES

Each of the two shower doors requires a pair of chrome finished door handles to be fitted.

Each handle is comprised of several parts. Position the main handle part on the outside of a door ensuring the Chrome Washer and a Clear Washer are positioned also on the outside face over the thread. Push the threaded ends through the glass. Next place another clear washer on the threads and then screw on the two different Chrome Knobs to the inside of the glass door.

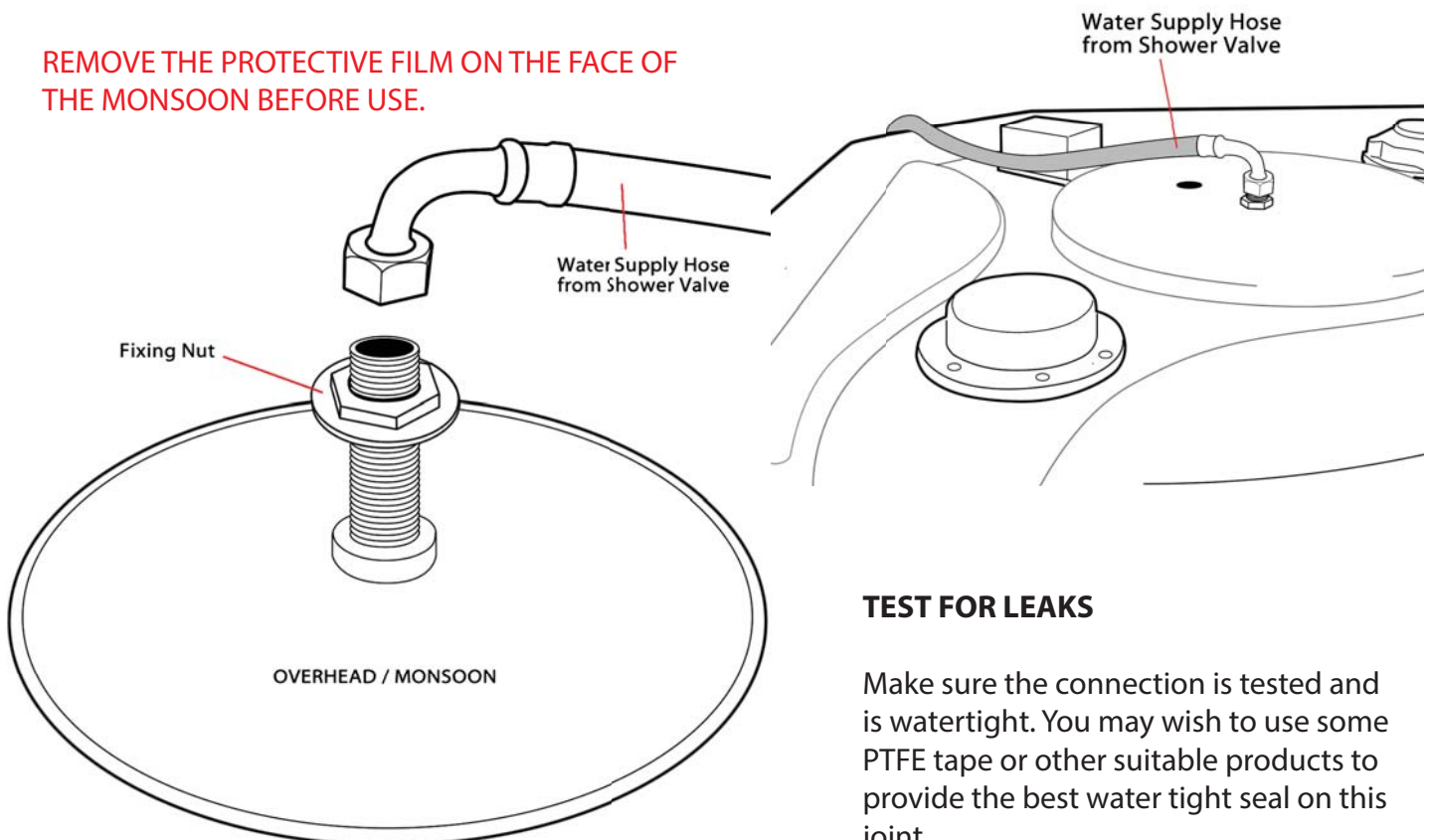
Tighten until secure. **DO NOT OVER TIGHTEN.**



13. OVERHEAD/MONSOON SHOWER

The overhead shower is fitted into the ceiling from the inside. The overhead shower first passes through the light diffuser cover (inside the shower), so that the threaded end of the overhead shower passes out through the ceiling. Fit the **FIXING NUT** onto the threaded end on top of the ceiling to hold the shower and diffuser cover securely in place. Next locate the water supply hose coming from the shower valve and identified as being the overhead water feed. Fit the threaded end of the water supply hose onto the overhead showers threaded section and tighten.

REMOVE THE PROTECTIVE FILM ON THE FACE OF THE MONSOON BEFORE USE.



TEST FOR LEAKS

Make sure the connection is tested and is watertight. You may wish to use some PTFE tape or other suitable products to provide the best water tight seal on this joint.

14. USB CONNECTOR

The shower has a front mounted USB port. This is located on the outside of the upper curved rail.

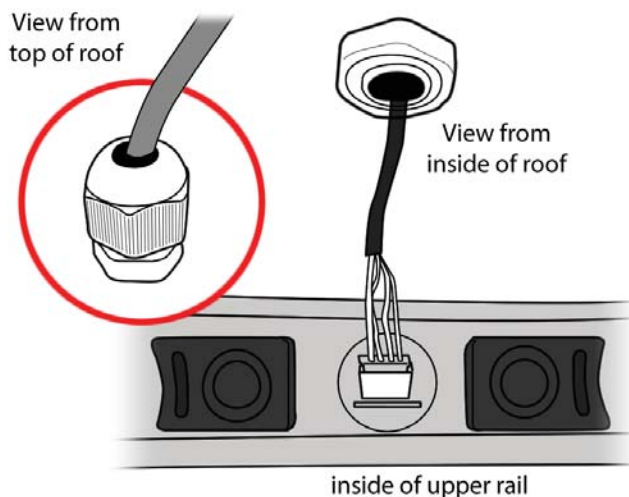
Locate the USB connector cable. Unscrew the white nut fitted to the white domed end of the cable.

Pass the smaller (plug) end of the cable through the hole on the front edge of the roof from outside to inside and then through the nut you have just removed.

Now on the upper (outer) side of the roof, position the white domed part over the hole and using the nut that is now on the inner side of the roof, tighten the two parts together.

Plug the small white connector into the port located on the inside of the upper curved rail.

Adjust the length of the cable passing through the domed Gromit.



Finally, on the other end of the connector cable is a Female USB connector, locate the USB cable from the generator and plug the two parts together. On the outer face of the rail, rotate the black cover though 180 degrees to access the USB port for your memory stick.

15. HAND SHOWER AND RISER

You are now ready to assemble and connect the hand shower.

The hand shower comprises of:

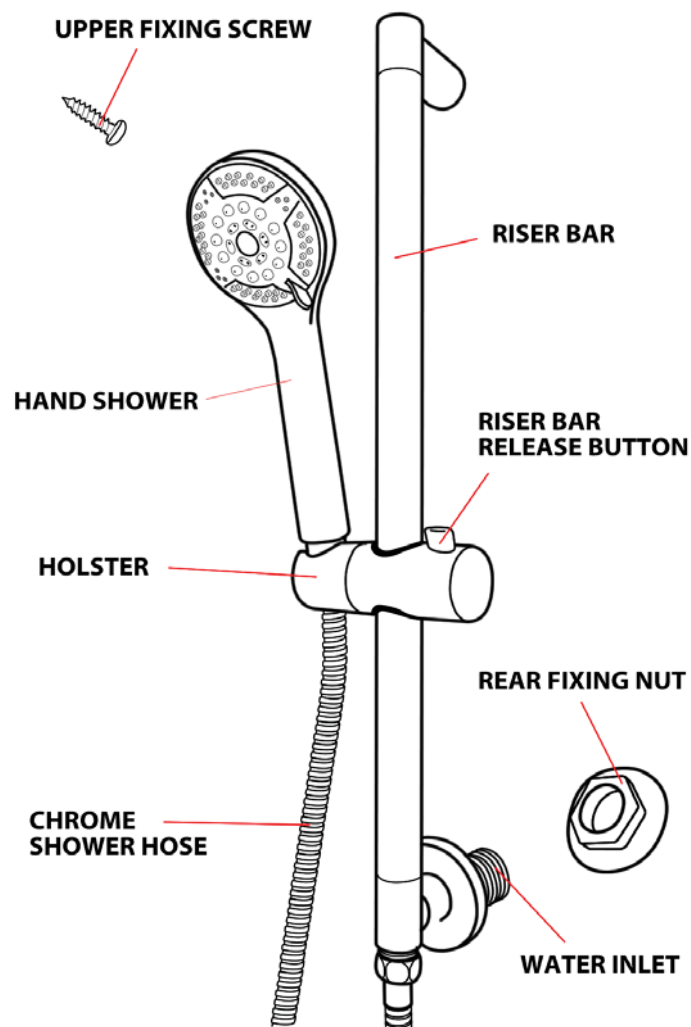
- Multi function hand shower
- Chrome finished riser bar
- Hand shower holster
- Chrome water hose
- Rear retaining nut
- Fitting screw

The lower part of the riser bar has a threaded water connection. Position this part through the larger hole on the rear glass panel.

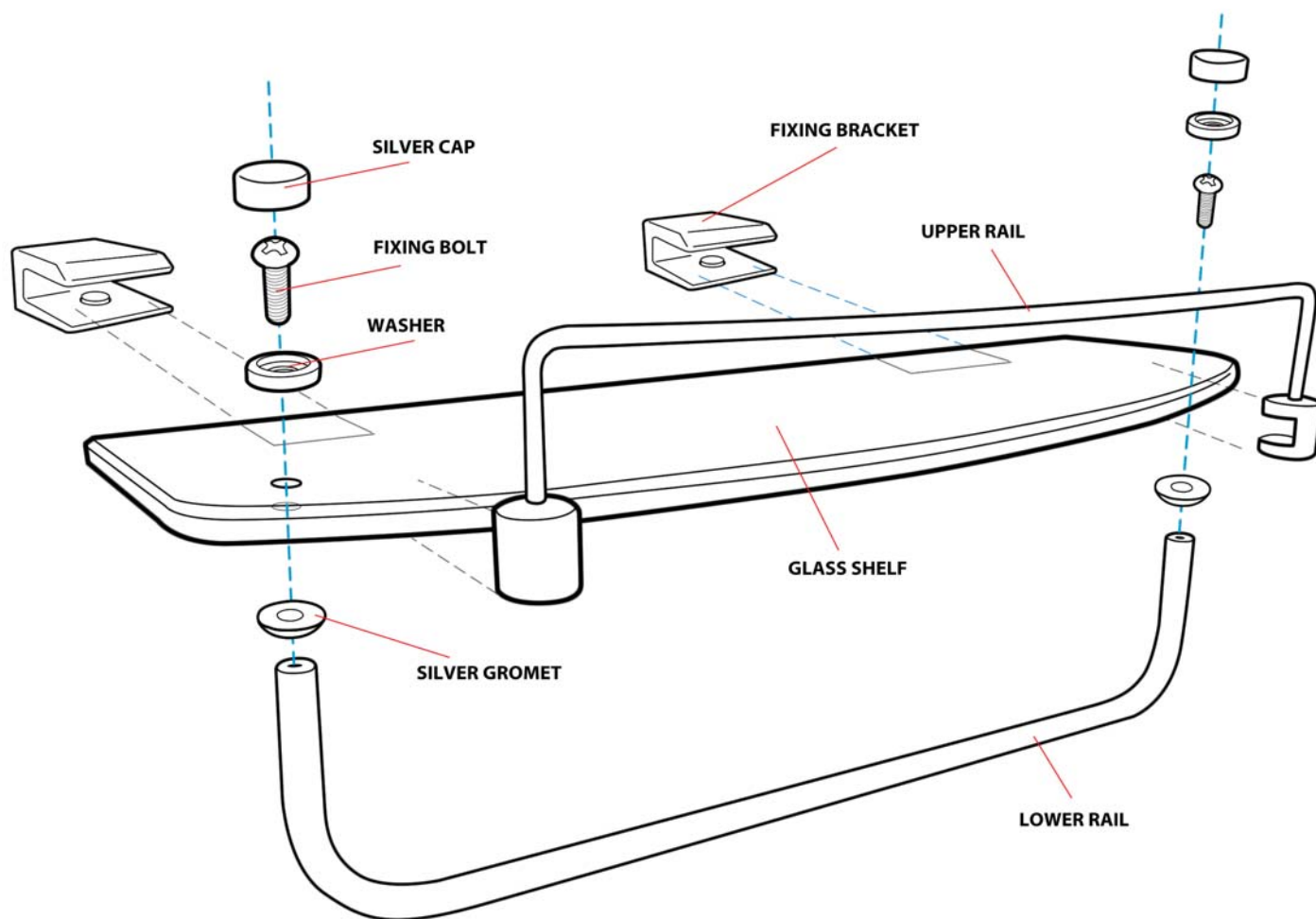
Fit the rear fixing nut from the rear of the shower to hold in place. Secure the upper part of the riser bar with the screw provided. Tighten both until secure.

Connect the silver hand shower hose to the lower part of the riser bar and the other end to the hand shower head.

At the rear of the shower, locate the grey water supply hose coming from the shower valve and connect to the water inlet of the riser bar. Test this water connection to ensure it is water tight. Using some PTFE tape or other product may help to achieve the best watertight connection.



16. GLASS SHELF



Assemble the shelf fully before fitting into the shower.

Position the lower chrome rail over the holes in the glass on the underside of the shelf with the silver grommets positioned between the two.

On the upper side of the glass, pass the bolt through a washer and through the hole in the glass and fasten into the end of the lower rail.

Repeat the previous step on the other end of the lower rail so that the rail is securely fixed in place. Take the two silver caps and fit them over then ends of the washer and bolt to provide a clean finish.

The upper rail pushed over the glass from the front. Using a flat head screwdriver, tighten up the fixing point of the front rail, which is located on the underside.

Position the two fixing brackets onto the inside of the rear panel of the shower in the holes provided. Fix the brackets at the rear of the shower with the supplied bolts and washers.

Place the glass of the shelf centrally into the slots of the brackets and then tighten the fixing points on the underside of the brackets to hold the shelf in place. **DO NOT OVER TIGHTEN THE BRACKET CONNECTIONS AS THIS MAY BREAK THE GLASS.**

17. SHOWER VALVE

The shower valve can be accessed from the rear of the shower and is located on the central tower.

The valve is divided into three parts that are joined together.

The uppermost part is the diverter. There are four connections able to be made here. One to the monsoon shower, another to connect to the body jets, the third connects to the hand shower/riser bar water inlet and the fourth to the bath filler.

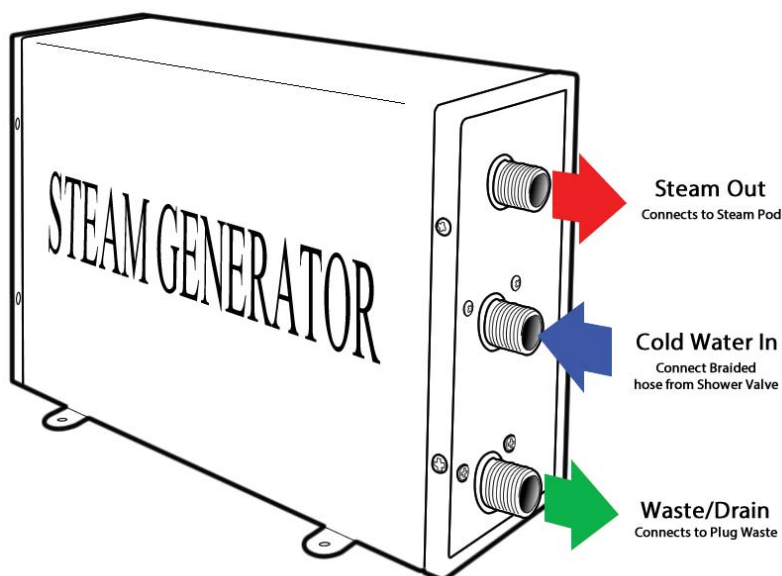
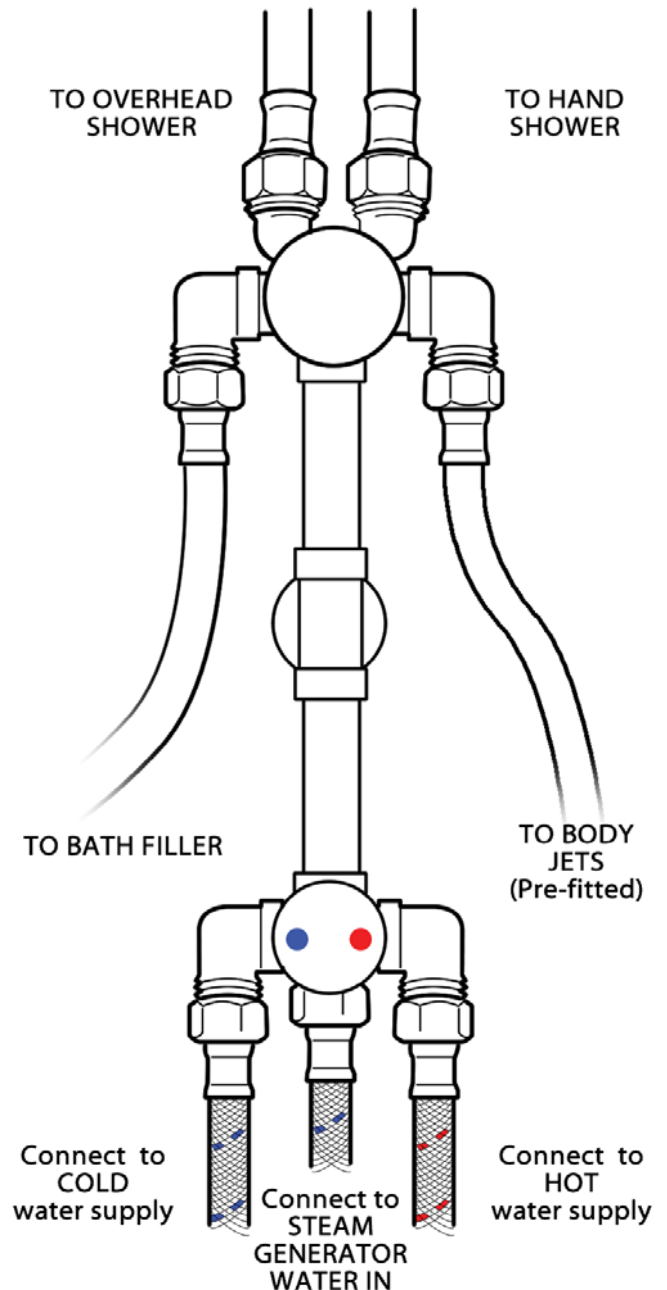
When making the connections, ensure they are water tight. Check all pre-fitted hoses as these may only be hand tight during manufacture.



The middle part of the valve handles the water on and off. There are no connections to be made here.

The lower part of the valve has three connections to be made. The HOT and COLD water supplies from your property connect to the outermost connections - ENSURE THE FEEDS ARE THE CORRECT WAY ROUND. The third connection is a cold water supply from the valve and connects to the WATER IN on the steam generator.

REMOVE THE WHITE PLASTIC BOX SECTION THAT MAY BE COVERING THE VALVE ACCESS AT THE REAR - THIS IS FOR TRANSPORT PURPOSES ONLY AND IS NO LONGER NEEDED.



Cold Water IN from the shower valve connects to the Steam Generator (your steam generator may look different than the image opposite, but the connections are marked the same).

The STEAM OUT connects to the rear of the Steam Pod via the INSULATED HOSE to supply Steam into the shower.

Waste/Drain allows un-used water in the generator after it is used, to exit into the underside of the Plug Waste via a thin grey hose.

18. SHOWER SEALS

This shower comes with 2 flapped shower seals and a pair of magnetic door seals.

FLAPPED SEALS

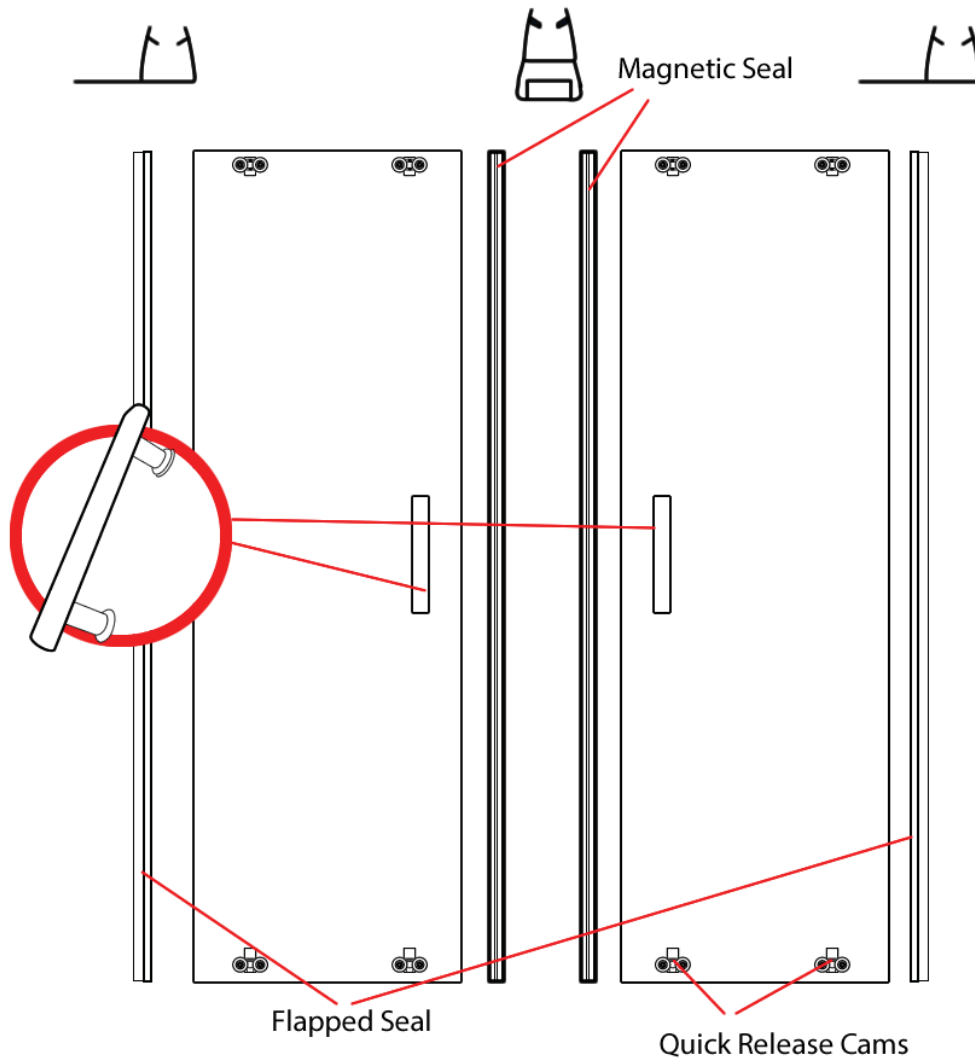
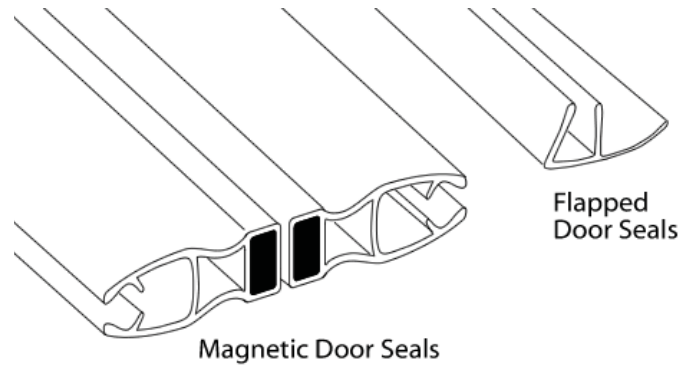
These seals fit over the long side of the shower doors on the opposite side to the fitting of the handles.

MAGNETIC SEALS

The magnetic seals fit onto the doors along the long edge of the glass door nearest the handles..

Ensure all seals are fully fitted onto the glass, especially the magnetic seals, so that they form an even seal.

If, when the magnetic door seals are fully fitted, there is a gap, check the alignment of the door cams (running wheels). These can be adjusted in height to allow the doors to meet flush along the full length.



Water Connections

This product requires a hot and cold water supply. Your Hot and Cold water supply pipes should ideally be finished about 1 meter above the floor centrally in the corner and finished with 15mm compression fittings. The shower has two braided flexible hoses that connect to these water supply pipes from the shower valve.

WATER PRESSURE: 1-3 bar (ideally above 2 for optimum results)

WATER FLOW: above 7.5 litres per minute

Fitting Isolating valves is recommended as this makes service access easier than locating the house Stop Cock. Additionally Isolating valve enable you to disconnect water to the shower if you are away from home for long periods of time.

Combination boiler installation and PEV's

This product does not normally require a Pressure Equalising Valve (PEV) as it uses the latest generation of shower valve Thermostatic Cartridge, which enables it to handle un-balanced water pressures itself, to provide accurate temperature control.

This product can be connected to Combi Boiler system that provide suitable water pressure and water flow rates.

Gravity Fed and Shower Pumps

Where the water is supplied by a hot water cylinder (gravity fed type systems) a shower pump should be installed. Ideally a shower pump rated over 2 bar supplying just the shower is recommended, or alternatively a pump of higher specification can be fitted to supply multiple showers within the property.

When choosing a pump, a twin impeller pump is recommended as this will ensure both the hot and cold water is of the same pressure.

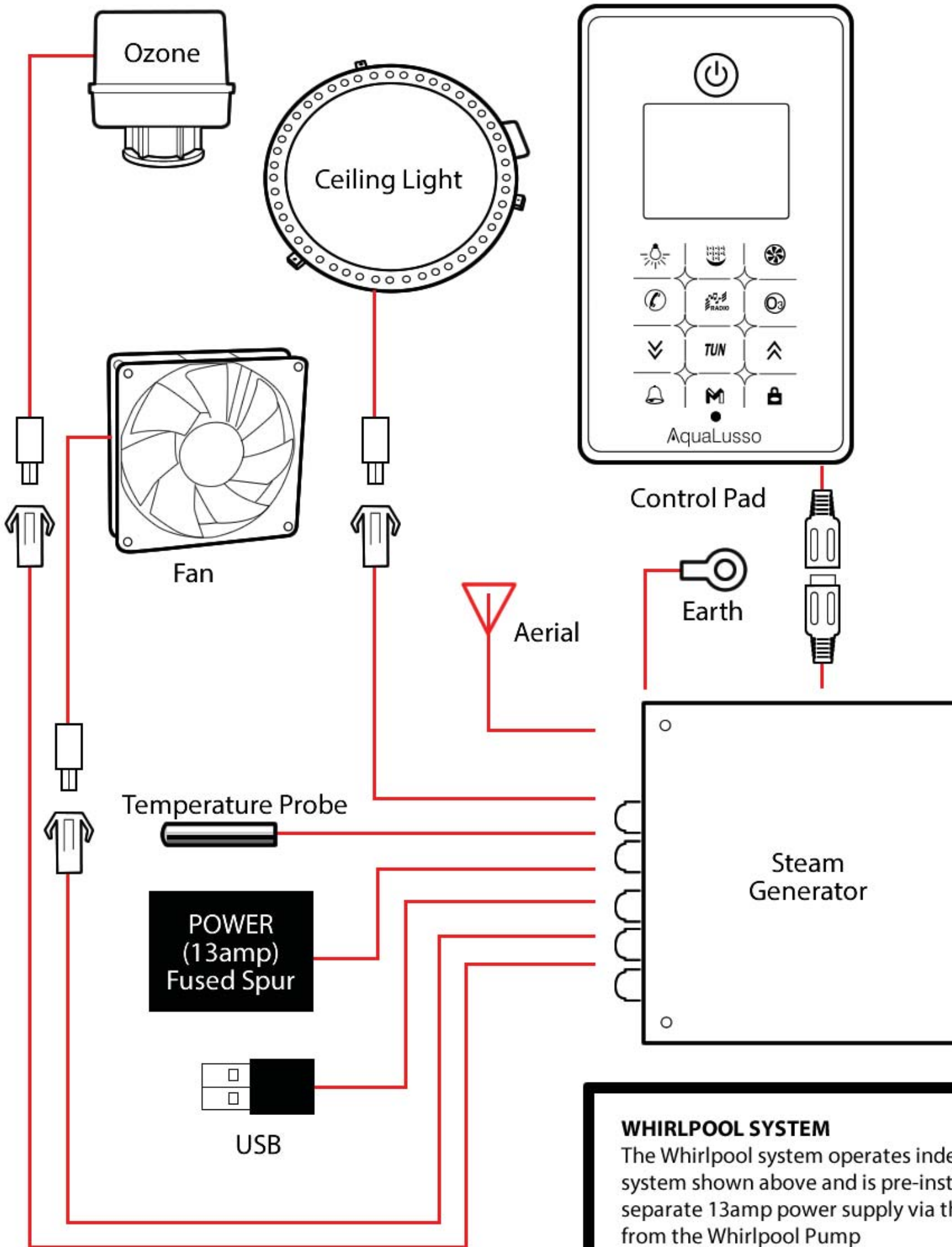
Always refer to the manufacturers instructions regarding shower pump installations and choose the correct type for your particular situation (negative head/positive head etc). All pipe work between the storage tank, cylinder and to the pump should be 22mm and the shower positioned at least 250mm below the header tank. Please note that locating the pump further from the shower and cylinder may reduce the effectiveness of the pump and will certainly reduce the output pressure of water.

Ensure the pump is correctly installed and commissioned. Failure to fit the pump in accordance with the manufactures instructions may result in inadequate water supplies and lead to pump pulsing etc.

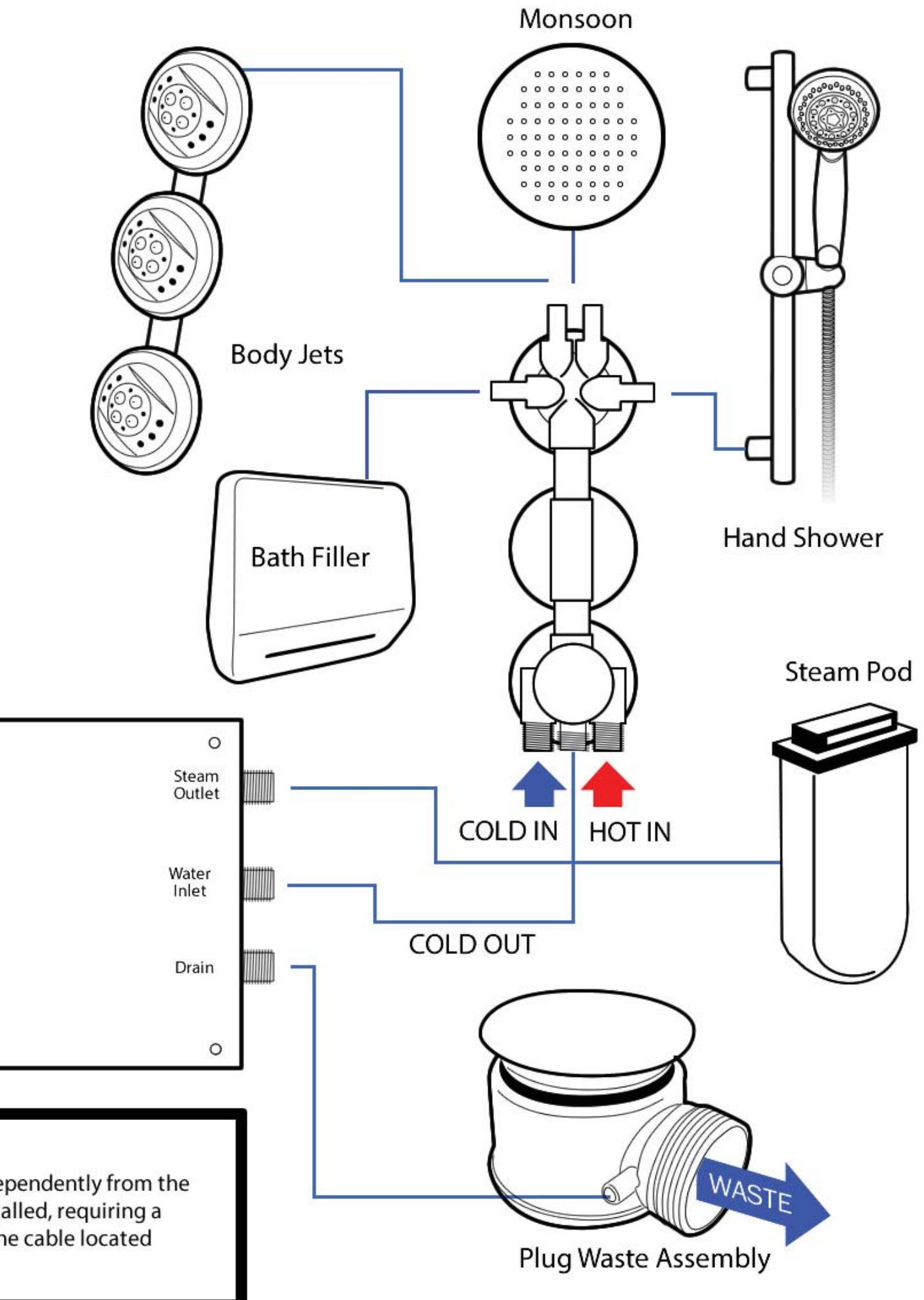
Maximum pressure: The shower requires water pressure up to but not exceeding 3 bar. Exceeding this maximum rating may damage the product and will invalidate your Warranty.



CHECK ALL WATER CONNECTIONS ARE WATERTIGHT. PREFITTED CONNECTIONS MAY ONLY BE MADE HAND TIGHT AT MANUFACTURE AND/OR MAY WORK LOOSE IN TRANSIT



WHIRLPOOL SYSTEM
 The Whirlpool system operates independently of the system shown above and is pre-installed. It requires a separate 13amp power supply via the Whirlpool Pump.



Independently from the
 called, requiring a
 ne cable located

Electrical Connections

MAIN POWER

This Steam Shower requires connections to MAINS ELECTRICITY.

The Steam Generator is 3kw rated and the Whirlpool Bath uses a 1 Horse Power Pump.

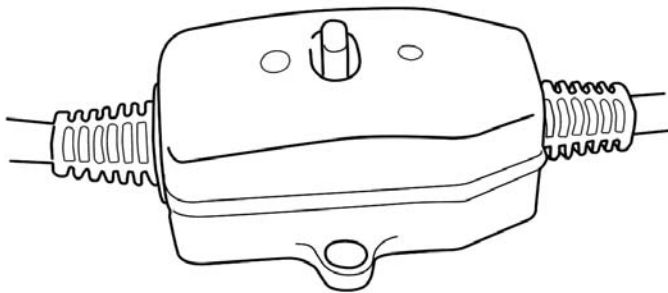
2 x 13amp

The Shower is delivered with a standard 3 pin plug on the end of the power cord. This is for TESTING purposes only.

For final fix this product **MUST** be connected via an ISOLATED FUSED SPUR. This work may require the services of a Qualified Part P Registered Electrician.

RCD (Residual Current Device)

This shower product also comes pre-fitted with an RCD. This device provides safety cut of in case of an electrical fault.



If the Main Board (Consumer Unit) in the property is already RCD protected you **MUST** remove the one fitted to this product.

WHIRLPOOL BATH POWER

The Whirlpool Bath pump requires its own, separate power source. The pump is rated at 1 Horse Power. Locate the whirlpool pump under the tub and locate the power cable. Connect this via an Isolated Fused Spur.

STEAM GENERATOR & ELECTRONIC CONTROL UNIT

This model has a separate Steam Generator and Electronic Control Unit. Both parts have a Data Cable to provide electrical communication between each part and a Power transfer connection. Make these connections and ensure they are secure.

CONNECTING LIGHTS, FAN, OZONE Etc

Each component needs to be connected to the Electronic Control Unit.

Each component (Fan, Ozone, Speaker etc) has a thin 12v cable with a plug on the end. You will also see that each cable has a sticker with an Icon to indicate what it is.

The electronic control unit behind the showers central tower panel has a large number of cables. Again, each of these cables has a similar plug and a label corresponding to those of the Fan, Ozone, Lights etc. Match each item and make the connection securely.

AERIAL

Position the Radio aerial wire in a position that allows the radio to receive the best possible signal. Note that local interference from Taxis, Ham Radio, Emergency Service, Hospitals etc may affect reception.

ELECTRONIC CONTROL PANEL

The Shower has an electronic control panel to allow you to operate and control the steam production, lights, radio and audio system. Locate the communication cable coming from the panel at the rear of the shower and connect it to the corresponding cable that will be found coming from the electric control unit. This connection uses a series of small pins inside, **CARE MUST BE TAKEN MAKING THIS CONNECTION** to not bend the pins. The plugs are marked with an **ARROW** to identify which way they connect.

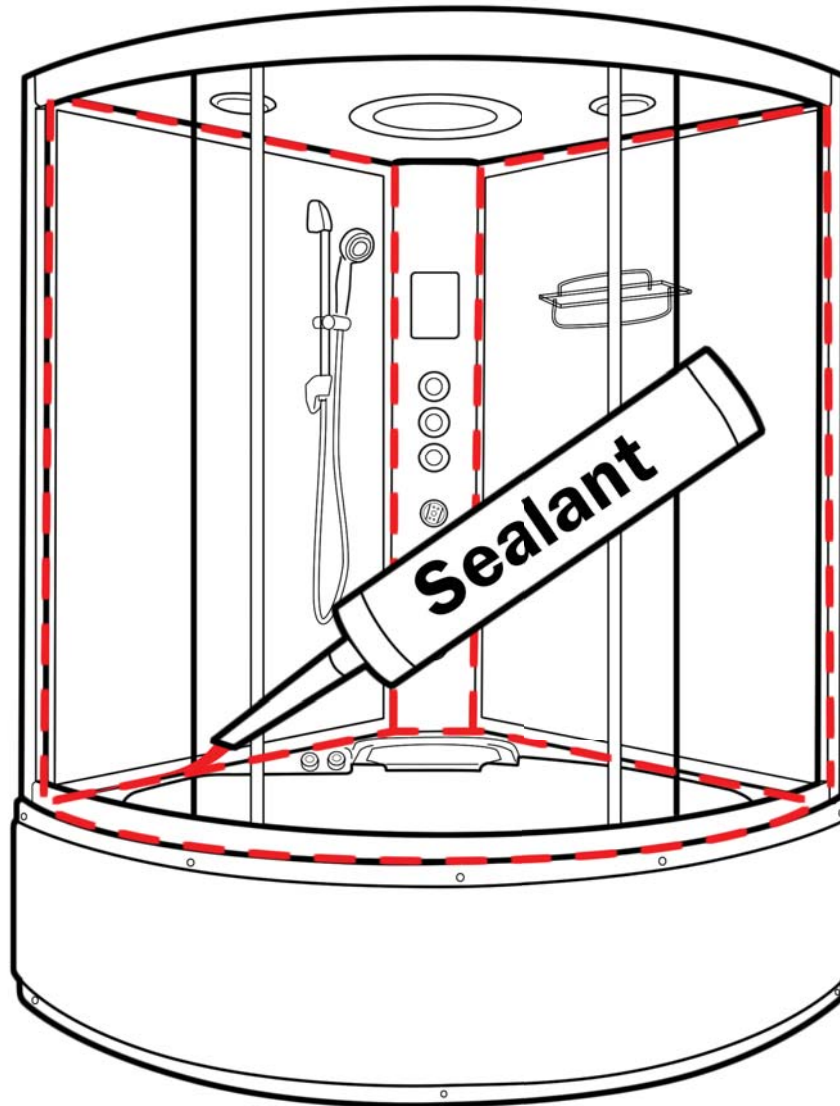
You MUST ensure all electrical work is carried out in accordance with current Legal requirements.

Sealing the Shower

We recommend that you seal the shower internally with a good quality bathroom sealant to provide an extra level of water proofing.

After allowing the sealant to set (as per the sealant directions), water test the shower and check for signs of water leaking, please attend to them as required.

In most cases sealant need only be applied to the areas marked in SOLID RED on the diagram, however you may choose to seal on additional places on the shower. As marked by the DASHED RED lines.



Final Testing

Check and test that each outlet function (hand shower, body jets and monsoon) work as expected by rotating the DIVERTOR DIAL (top chrome dial).

Check the ON/OFF dial enables the water to be fully on or off in the position indicated on the valve markings.

Check the Temperature can be increased and decreased by turning the lower chrome shower valve dial. Test that the button can be pressed at 38 degrees to turn the dial to the hottest settings.

Check the water runs to the waste/plug efficiently. A small amount remaining in the tray is normal.

FAULT FINDING

Water does not exit tray fast enough.

The tray must be leveled and a suitable 'fall' on the tray that enable the water to run to the plug. Additionally, the waste hose (under the tray) should have suitable fall to allow water to exit quickly.

Water pressure / flow is low on some or all shower options.

Check all the hoses are not trapped or kinked and thus restricting flow. Check also that any washers are not out of position and restricting flow. Ensure you have OVER 7.5 litres per minute flow and over 2 bar water pressure.

Water is 'pulsing' .

If a pump has been used to supply water under pressure and the back jets, or hand shower cause the pump to start and stop (PULSING WATER), remove the NON RETURN VALVES. Remove the Braided hoses at the rear of the shower. Look inside the valve where the hoses connected and you will see a silver coloured 'C' clip. Remove this and this will enable the NRV to be removed (white plastic item). Refit the hoses and re-test. Pulsing may also be noted where a pump has not been fully commissioned and there is air in the system.

Doors do not meet correctly and or bind when opening or closing.

Adjust the door runner cam wheels correctly to enable smooth running and operation.

Water is leaking out of the shower.

Dry the shower fully. Once dry, turn on the shower and operate the functions and look for where the water is leaking from. Apply sealant to the area where the water is leaking from.

The shower temperature is low.

If the water in the rest of the house is at a suitable temperature, then you may need to replace the thermostatic cartridge. Limescale or other dirt can impair the function of the cartridge.

For more help with your shower, please call 01422 410769 and our technical team will be on hand to help.

Valve Operation

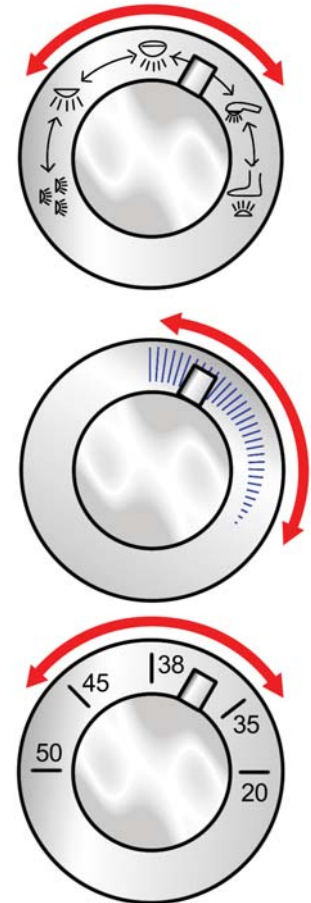
There are 3 control dials inside your Shower Cabin. These dials control the output functions, water flow and temperature of your shower.

The top dial can be turned to allow you to choose which output you wish to use: Body Jets, Overhead (Monsoon) Shower and Hand Shower. Turn the dial to the required output, there will be an audible click as the selection is made. Do not turn the dial when water is flowing as this will decrease the life of the selector mechanism.

The middle dial adjusts the water flow rate. The dial rotates through 90 degrees. This dial also acts as the on/off for water flow.

The lower dial controls the temperature. The dial rotates from 20 degrees to 38 degrees and then will stop. This is a safety feature. To enable temperatures higher than 38 degrees, simply press the knob on the dial in (toward the main dial) and then turn the dial past the 38 degree mark.

Turning the temperature dial past 30 degrees MUST be done with care to prevent scaling.



Safety Precautions

On models fitted with Steam functions, it is normal for the steam generator to get quite hot during use. Please allow up to half an hour for the generator to cool before touching associated areas including the steam pod.

Always disconnect or isolate the water supply to the shower before commencing any investigations, service or replacing parts. Where the product has electrical power, this should also be turned off .

Children should NOT use the shower unless under strict adult supervision.

All products are single person occupancy unless otherwise sold as twin person.

The tray surface inside the product cab become slippery especially if soap, gel or shampoo is on the surface, we therefore advise care when stepping in, out and during use.

Maximum duration for steam use is 15 minutes continuous use. Allow the cabin and steam generator to cool to room temperature naturally to avoid damage to the acrylic. DO NOT apply cold water to the cabin immediately after steaming as this may cause damage to the acrylic or glass.

Electronic Control Panel

Your steam shower is fitted with an electronic control panel that allows you to operate the electronic features of your shower.

From the control panel you can control the lights, Steam, Radio, USB and Bluetooth audio.



Power ON / OFF

In standby mode this button is lit Red.

Press and keep pressing the power button until the panel beeps and the light turns Blue. The Panel is now active.

If the panel is not used for 30 seconds, the panel will LOCK. This is noted by the lines in the display FLASHING. To deactivate the LOCK, simply press and hold the POWER button until a beep is heard and the lines stop flashing.



LIGHTS

This model comes with an LED 'Halo' ring light surrounding the monsoon. Press the light button. With each press, the display will show ON1, ON2, ON3, OFF. The panel is able to accept up to three different light relays, hence the various light modes. Toggle to OFF to turn the light off.



STEAM

Pressing the Steam button activates the steam Generator.

Press the M button to toggle between the Temperature and Duration/Time settings. Temperature is the setting the cabin will try to maintain inside the cabin and duration is the length of time you plan to use the steam. Do NOT use the steam function for longer than 15 minutes in a session, allowing to fully cool before re-use.



FAN

The circulation fan can be activated to draw air/steam inside the cabin out. This may be used in conjunction with the steam.



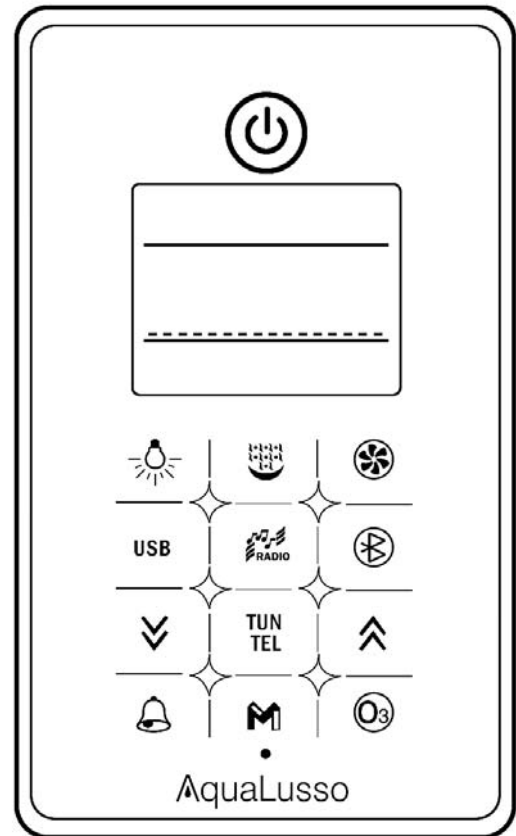
USB

The shower can play MP3 audio files stored on a memory stick inserted into the port on the shower. Press the USB button to read the USB stick. Press the arrows UP/DOWN to skip tracks. Press the 'M' button to change the display to show volume control. Now use the arrows to change the sound level. In this mode the Power light is lit Yellow.



RADIO

This button activates the built in FM Radio. In this mode the power button will be lit White. Pressing the TUN TEL button and then using the ARROW buttons allows you to change radio frequency.



REMOVE PROTECTIVE FILM ON CONTROL PANEL BEFORE USE



BLUETOOTH

Pressing this button will allow you to receive audio played from Bluetooth enabled device. You can control volume and skip tracks as described for the USB option. You will have to PAIR the shower to a bluetooth device first - see following page. When this mode is activated then Power button will be lit Red.



ARROWS

The Arrow buttons control Tuning, Volume, Track Skip etc depending upon which mode is currently selected.



TUN TEL

Pressing this button will allow you to enter the tuning mode when the Radio is activated. The current frequency will be displayed and by using the Arrow keys can adjust the precise frequency.



M

The button can be used to Store Radio stations into Memory. The button also serves as a toggle the function of the ARROW keys for time/temperature/track/volume/tuning etc.



OZONE

Close the shower doors and press the Ozone button. Leave the shower to carryout the process which takes approximately 10 minutes. then open the doors and allow the shower to fully air dry. This device does not may any audible or visual notification other then the panel display, but the aroma of Ozone may be noticeable when you open the doors. The Power button flashes during this process.

Bluetooth Pairing

Before you can start streaming Audio to your shower you must first establish a connection between the shower and the device that will stream the audio to the shower; this is called Pairing. You can stream up to 10 meters away, depending upon interference of walls etc.

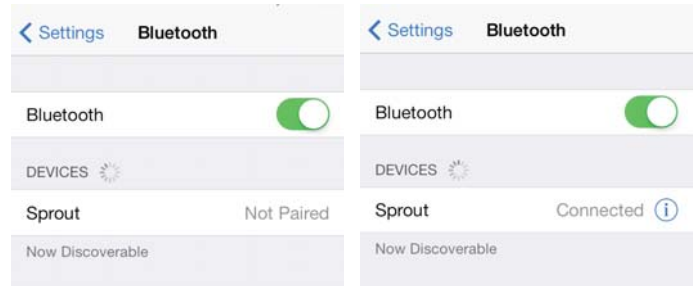
Most devices that are Bluetooth Audio Streaming enabled can be connected to the shower, such as Smart Phones (Andriod, iPhone etc), Tablets (Galaxy Tab, iPad etc) and even computers and Laptops.

- 1: Press the BLUETOOTH Button on the control pad. The display will now say BT.
- 2: On your Smartphone/Tablet etc, go to the Bluetooth settings (If unsure, refer to your manual for more information on how to access this)
- 3: Ensure Bluetooth is active/running on your device.
- 4: Initiate a SEARCH/SCAN for New Devices to Pair to.

5: After a small amount of time you should see the device name of the shower appear " SPROUT". Select this to complete the Pairing of the two devices.

You are now ready to stream audio. Go to your music playing App, choose a track and press play.

Once Paired you can stream music at any time to the shower. Only once device can be Paired at any time.



Due to the various different number of devices that have Bluetooth, and the variations on the implementation of Bluetooth enabled in your device we are unable to guarantee connectivity or to provide support for connecting, however the product has been tested on a number of Apple and Android Tablets and Phones with complete success.

Whirlpool Operation

NEVER ACTIVATE THE WHIRLPOOL SYSTEM WITHOUT WATER IN THE BATH AS THIS WILL DAMAGE THE PUMP

Fill the bath with water to your desired temperature. The Whirlpool system does NOT heat the water. Do not over fill the bath tub as the force of the water when the whirlpool is activated may cause the water to overflow, and additionally the air intake required for the whirlpool bath may malfunction with very high water levels. When filling the bath tub, consider the amount of water displaced when you enter the bath also.

NEVER USE BUBBLE BATH OR OTHER PRODUCTS THAT ARE NOT SAFE FOR USE WHEN OPERATING THE WHIRLPOOL.

Because of the pumping of water through a pump, using bubble bath products cause large amounts of foam. This foam may not only spill over the bath tub, but its effects are damaging on the whirlpool system as a whole and stress the whirlpool pump.

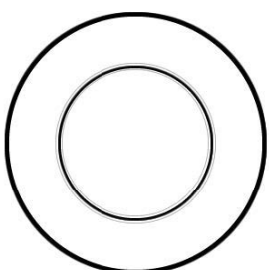
WHIRLPOOL OPERATION

There are two whirlpool control dials on the top lip of the bath tub.

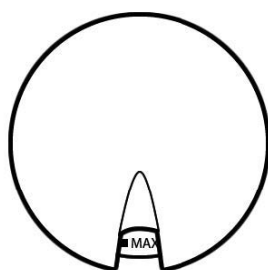
Press the START/STOP button to activate the whirlpool pump.

The second dial control the power of the pump. Rotate the dial from MIN to MAX to the desired amount of force the water is pumped out of the jets.

Whirlpool START/STOP



Whirlpool REGULATOR



Cleaning and third party product use

This shower should be cleaned after every use to remove the build up of dirt and bacteria. We would recommend that after normal showering use, that the cabin doors are left open until the inside is fully dry. This will help prevent the build up of soap scum, dirt and bacteria.

The shower cabin can trap dirt in gaps between joints of panels etc, which may require extra care and attention during cleaning. To minimise dirt build up between panels, the application of a bead of silicone sealant suitable for shower/bathroom use will fill the gap leaving a smooth finish and both stop dirt build up and offer an extra level of water tightness.

The shower cabin can be cleaned with any suitable cleaning solution that is not abrasive, and is recommended by its manufacturer for use on acrylic, chrome and glass surfaces as appropriate to the materials in the shower. Not all general bathroom cleaners are designed for use on some materials of this product.

DO NOT USE CIF OR OTHER ABRASIVE CLEANING PRODUCTS ON THIS SHOWER.

In hard-water areas, wash down the unit and remove the dirt periodically. Fitting a water filtration device is also advisable in areas where the water is likely to lead to a build up of minerals within the pipes and divertor assembly. Hard water WILL reduce the life of the Parts that come into contact with water, such as the Thermostatic Valve. Fitting water softening devices will prevent this.

Leaving items, such as razors on the acrylic surfaces may lead to discoloration that may not be easily removed.

Steam Pod

Where products are being used to infuse the steam in the steam pod, only products that are designed for such use should be used. The use of products not designed for infusing of steam may lead to damage to this product including but not exclusively, discoloration to the pod, tray base and or cabin walls. Products such as, but not exclusive to Albas Oil is an example of this.

Essential Oils, whilst no noted damaging effects have ever been reported on the materials of AquaLusso products, Essential oils can be aggressive toward rubbers and plastics when in direct contact. Damage such as cracking, crazing, discoloration, therefore are NOT covered by Warranty where oils have been used.

Additional information and help

For full guarantee details on this product please call sales on 01422 356863 or technical on 01422 410769

For more details on the installation of this shower, technical support, FAQ please call The Technical Helpline on 01422 410769

If you need a replacement part for your product, please call us on **01422 410769** with the details of your product. Please ensure you have your order number and supplier at hand.

To find parts for your product after the Guarantee has expired, please call:
01422 410769

Thermostatic Cartridge

Your shower is fitted with a Thermostatic Cartridge. Should you need to remove or replace the cartridge for maintenance or replacement, follow the instructions below.

Q: I am having to turn the dial round as far as it will go to the hottest setting and the water is only just warm.

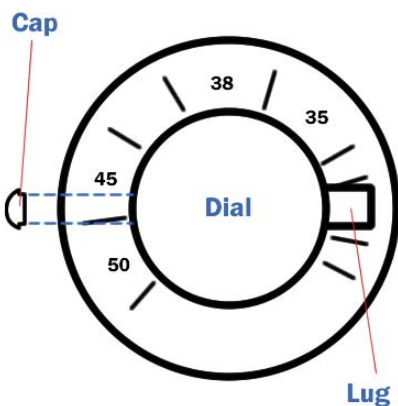
A: Your Thermostatic Cartridge has showed signs of failure. You will need to replace the Cartridge.

Q: Why did my Thermostatic Cartridge fail?

A: Hard Water areas will result in calcification, which will build up in the Cartridge. Other reasons might be age of the Cartridge or even dirt or debris collecting in the Cartridge from the pipes.

BEFORE STARTING ENSURE THAT THE WATER SUPPLIES ARE DISCONNECTED OR ISOLATED

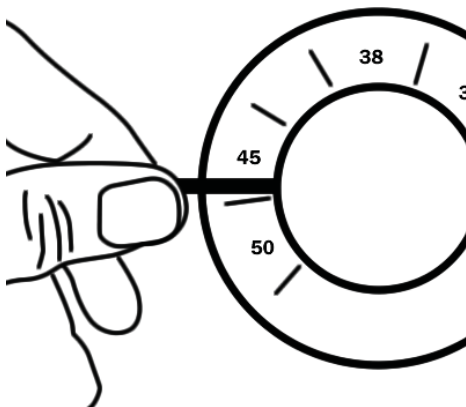
It is imperative that the water supply to your shower in between 1 and 3 bar as exceeding this may damage the Thermostatic Cartridge.



From inside the shower, on the lower of the three dials, remove the chrome coloured plastic cap that is fitted on the opposite side to the chrome lug.

The chrome cap will just pull off.

Keep the cap safe.

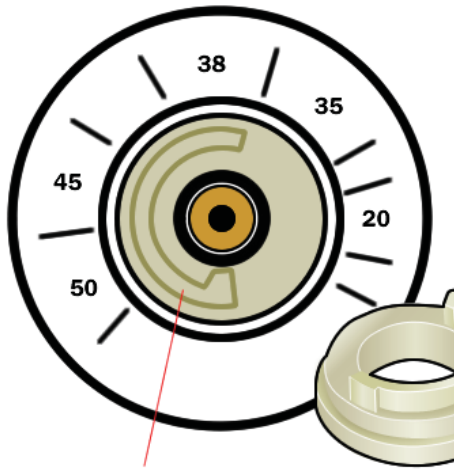


Using a 2.5mm Allen key, insert this into the hole where the chrome cap was fitted and loosen the grub screw about 1 turn to loosen.

DO NOT UNSCREW FULLY.

Now remove the chrome dial.

With the Chrome dial removed you will see a plastic ring covering with the Thermostat underneath.

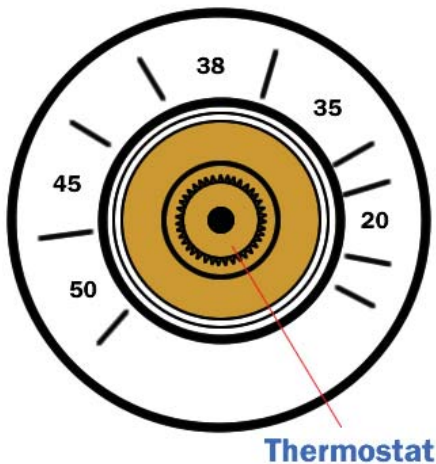


Note down the position the ring is placed in.

Pull the plastic ring (Temperature safety lock) towards you to remove.

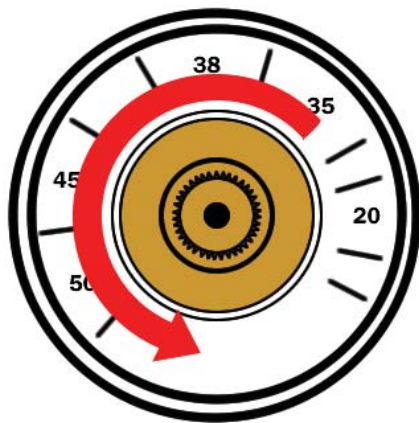
Keep this part safe

You will now see the head of the Thermostat clearly visible.



Thermostat

Turn the head of the cartridge counter-clockwise to remove.



To fit your new Thermostat, simple reverse this process.

If your shower is under Guarantee and you have your suppliers name and order number, then a replacement part can be ordered by calling 01422 410761

If your product is out of Guarantee, then please **call 01422 410769 or 01422 356863** to order the part.

**FOR TECHNICAL
ASSISTANCE**

PLEASE CALL

01422 410769