

**INSTALLATION  
AND OPERATING  
MANUAL**

**Alto**<sup>TM</sup>



Alto 01, 02, 03, 04 Series Showers

INSTALLERS PLEASE NOTE, THESE  
INSTRUCTIONS ARE TO BE LEFT WITH  
THE CUSTOMER

Technical Support: 01422 410769

Thank you for purchasing this product. To guarantee the product delivers a long service life, please ensure it is fitted and used in accordance with the instructions contained in this booklet.



**Please check that the boxes contain all the items listed below, and report to us any parts that are missing or damaged prior to assembly and within 48 hours of receipt. Damages notified to us after this time will be chargeable.**

**CAREFULLY CHECK THE PRODUCT IS AS ORDERED: CORRECT SIZE AND COLOUR OPTION BEFORE YOU COMMENCE ANY OF THE INSTALLATION PROCESS**

You should ensure that the floor where the shower is to be located is smooth, level and able to support the weight of the product when in use.

Installation requires a qualified plumber to provide the correct connections to water and waste. Failure to have the shower installed by qualified fitters will invalidate your product guarantee.

Please ensure that all connections are water tight, safe and insulated (where applicable) as the unit has connections that are made for transport purposes only and are not fully tightened.

Pack contents:

- 1 x Tray base with pre-fitted waste assembly
- 1 x Central tower panel with pre-fitted body jets
- 1 x Shower Valve (maybe pre fitted)
- 2 x Framed, rear glass panels (marked left and right)
- 2 x Clear glass, curved doors
- 2 x Clear glass, fixed side panels
- 2 x Curved, silver coloured frame sections
- 2 x Straight, polished silver coloured frame sections
- 1 x Chrome finished 'J' overhead shower arm
- 1 x Stainless overhead shower rose and swivel joint
- 1 x Hand shower, riser bar and chrome hose.
- 1 x Glass shelf and fixings
- 1 x Magnetic door seals (pair)
- 4 x Flapped door seals (2 different lengths)
- 2 x Short glass seals (U
- 8 x Twin wheeled, shower door rollers.
- 8 x Door roller stoppers
- 2 x Chrome finished door knobs
- 6 x Backboard to tray fixing screws
- 10 x Nuts and Bolts
- 8 x Long Screws (35mm or longer)

*Refer also to contents list with images on the next pages.*

# Contents

## **Important Notice**

## **Before you Begin**

Water Requirements

## **Assembly**

Fitting the Thermostatic Valve

Fitting the Seat (Optional)

Leveling and fitting the tray

Front Framework Assembly

Fitting Front Fixed Glass

Retaining Clips for Front Glass

Rear Glass Panel Assembly

Installing Back Panels to Tray

Runner Wheels

Door Stops

Handles

Overhead Shower Fitting

Hand shower and Riser Installation

Fixing and Assembly of Glass Shelf

The Shower Valve

Door Seals

## **Water Connections**

## **Sealing the Shower**

## **Final Testing**

## **Completion**

## **Operating Instructions**

## **Safety Precautions**

## **Cleaning and thirds party product use**

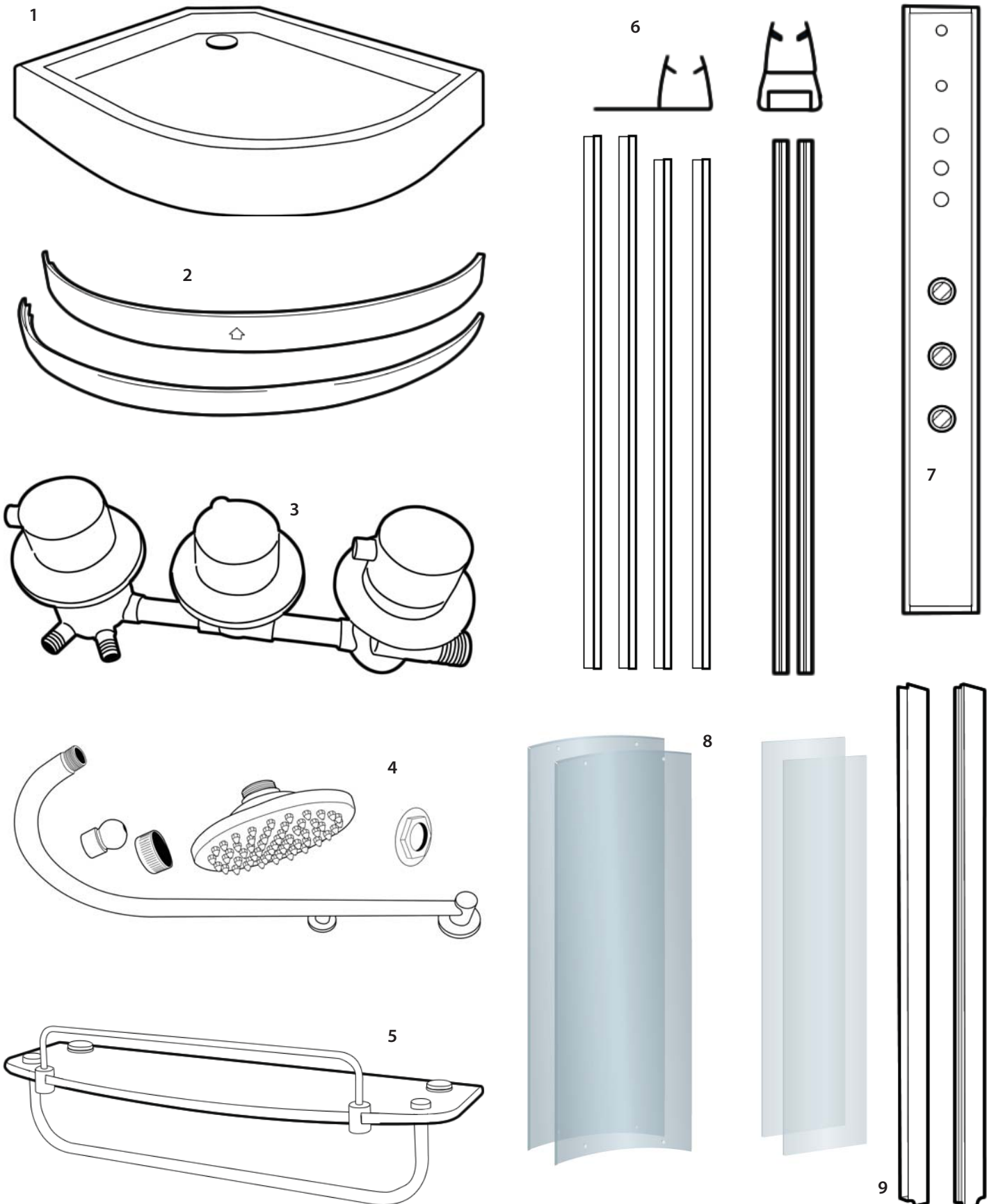
## **Additional information and help**

## **Thermostatic Cartridge**

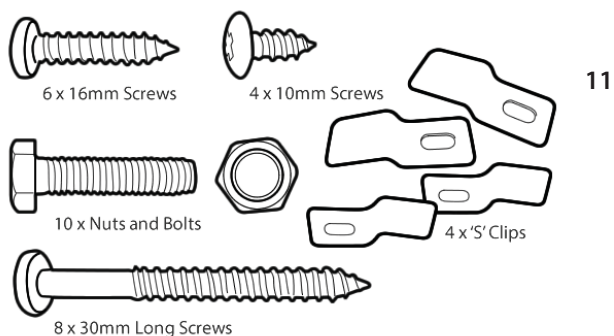
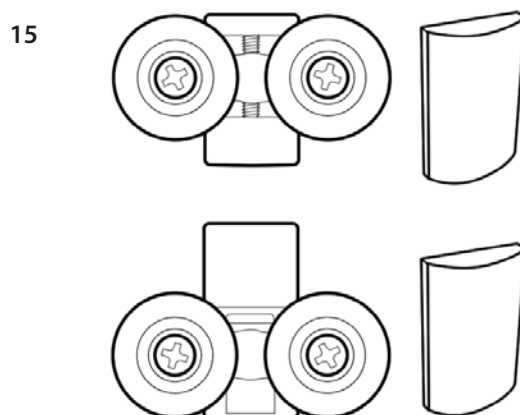
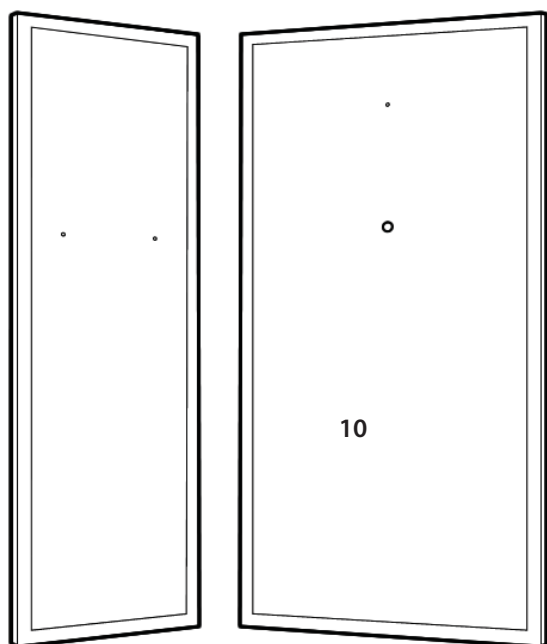
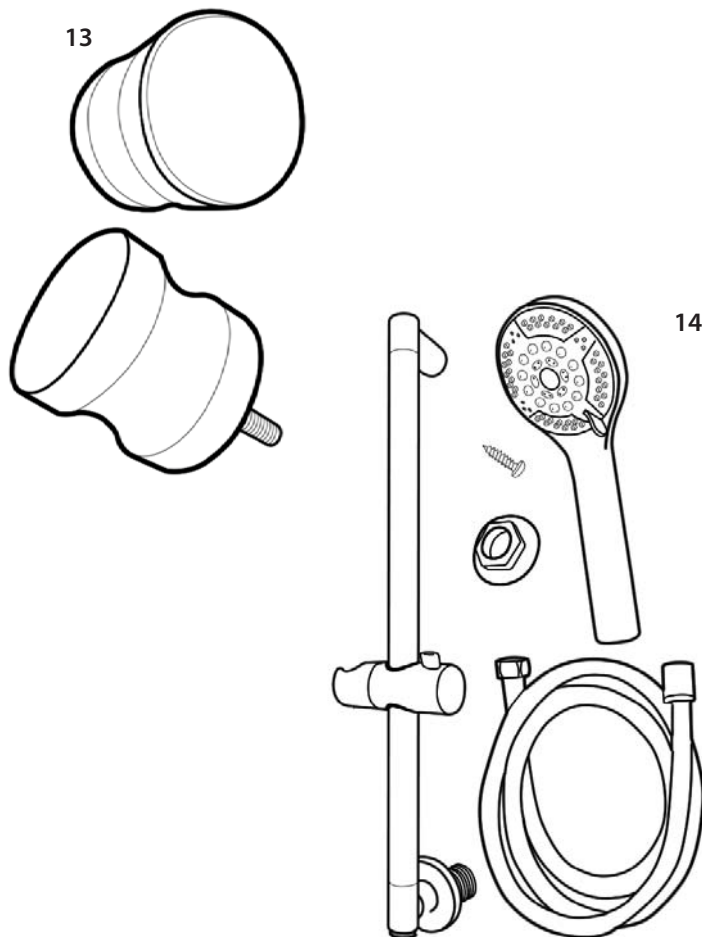
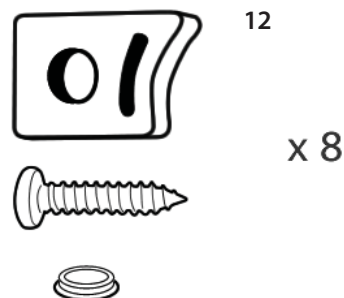
## **Product Contents List with Images**

# Alto Shower Contents

Below is a list of the parts you should have received for the installation of your shower. Please note that several parts are pre-fitted in place, such as the monsoon shower head, seat etc. Please note, the design and shape of parts may change occasionally but will always offer the same or greater functionality.



1. Tray/Base with Waste assembly and flexible waste pipe pre-fitted.
2. Two Curved silver coloured frame sections.
3. Thermostatic shower valve and 2 braided hoses.
4. Chrome monsoon arm, Monsoon head, swivel joint and two nuts for fixing.
5. Glass shelf and fittings.
6. Two long and two slightly shorter Flapped seals and a pair of Magnetic door seals.
7. Tower with and Body Jets pre-fitted.
8. Two Curved clear glass doors. Two flat clear glass side pieces.
9. Frame Uprights. Two silver coloured straight metal sections.
10. Back Glass Panels. Pair of glass with Polished Aluminium frames.
11. Screws, Bolts and Nuts.
12. 8 Door stops, short fixing screws and cover caps.
13. Two pairs of door knobs.
14. Hand Shower, riser bar, chrome hose and fixings.
15. Eight Door wheel cams/runners. 4xQuick Release, 4 x twin for upper rail fitting and 8 cover caps.



# IMPORTANT NOTICE

Before you proceed with fitting your Alto Shower please read and understand the following:

By commencing testing and installation of the unit you are agreeing to the Terms and Conditions set out by us and copies are available by contacting us by telephone (details on the cover of this manual).

You are required to ensure the purchased product dimensions allows for ease of passage to the intended installation area.

**Regarding weight tolerances of installation area, it is advisable to contact a builder or refer to Building regulations to ensure the product placement area has sufficient joist/floor support.**

1. It is important that you ensure that your purchase has been delivered undamaged. You are required to check the contents and report any damage that you feel needs repairing or replacing within 48hrs of receipt of goods. Items reported after this time WILL be chargeable.
2. The product you have purchased is NOT designed for home DIY fitting. You are required under the Terms and Conditions to get the unit fitted by a qualified specialist. If the product also requires connection to electricity this will require a Part P qualified electrician.
3. We are a supply only company. If you report to us any damage we will send replacements or solutions to remedy the problem described. We endeavor to fully understand the problem first by asking a series of questions and then propose the solution. We may even ask for digital images to be sent via email to assist the process.
4. You are required to ensure that you correctly water test the tub before fitting and ensure that your fitter fully tests the unit upon completion and attends to any leaks and faults before he leaves.
5. All hoses, such as to the valve assembly, shower outputs and air switches and waste are fitted for transport purposes and need to be properly sealed and tightened before use. During transportation some connections can become dislodged and therefore break any watertight seal, you are required to ensure that your fitter specifically tests for these possible occurrences and seal/fix accordingly.
6. **Do not book your fitter until you have inspected the unit. We cannot be held responsible for delays and costs incurred by fitters having to return to fit parts that need supplying.**
7. We cannot be held liable for inconvenience caused due to lack of bathing facilities caused by any delay in receiving your product or whilst awaiting parts.
8. Regarding our sales and technical support: We know our products and their requirements, but we are not qualified plumbers and accept no liability for claims suggesting the same. You are advised to check the suitability of the product with a professional body.

# Before you begin



## **Tools needed to assemble this shower cabin:**

Electric screwdriver with a selection of heads, regular screwdrivers, pipe grips, spanners, spirit level, sharp knife and rubber mallet. Connection of the electrical supply and plumbing may require additional tools.

There is a drill bit supplied with the kit, to allow either widening of holes or drilling new holes which you feel cannot be located during construction.

## **Water requirements**

This shower requires two water supplies (1 x hot and 1 x cold) tested to be between 1 and 3 bar, with a flow rate over 7.5 litres per minute.

NOTE: We recommend water pressures over 2 bar to achieve optimum showering results.

## **Gravity Fed systems**

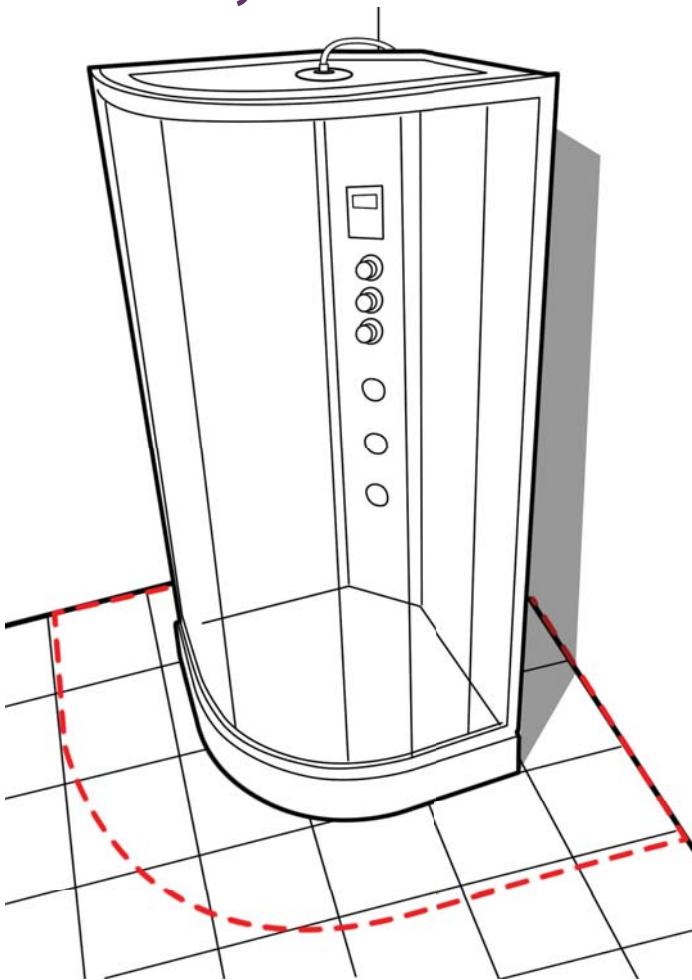
If you have a Gravity fed system, then fitting a Shower Pump is recommended. Fitting a Twin Impeller Shower pump rated over 2 bar is necessary as a minimum. Shower pumps **MUST** be properly sited, installed and commissioned. Incorrectly installed shower pumps will cause adverse affects to your showering and bathing resulting in pulsing or starting and stopping of the pump. If a pump is installed, a separate Mains Cold supply must be fitted and directed to supply the Steam Generator separately (bypassing the pump).

## **Isolating Valves**

Whilst not a requirement of the showers installation, we would always recommend fitting these as it enables you to turn off the water supply to the shower when not in use (for example going away on holiday). Additionally isolating valves makes service checks easier than locating the house stop cock.



# Assembly



Do not fit the shower into locations where you do not have at least 40cm access all around the cabin both for installation and for future service access.

We advise you do to fit sinks, toilets etc that restrict access behind the shower.

You must ensure you can slide the cabin away from the wall/corner for service access.

Smooth and level walls and floor are required for ideal installation conditions. Avoid carpet or vinyl floors.

**Please ensure you have correctly water tested the tub before you continue.**

**NOTE: Instructions shown based on quadrant model, The assembly and operation is identical for offset models except for the rear panels being different sizes.**

**Please inspect all parts carefully before assembly.**

**BY COMMENCING ASSEMBLY OF THIS SHOWER YOU ACCEPT THAT THE PARTS HAVE ALL BEEN CHECKED AND ARE UNDAMAGED.**



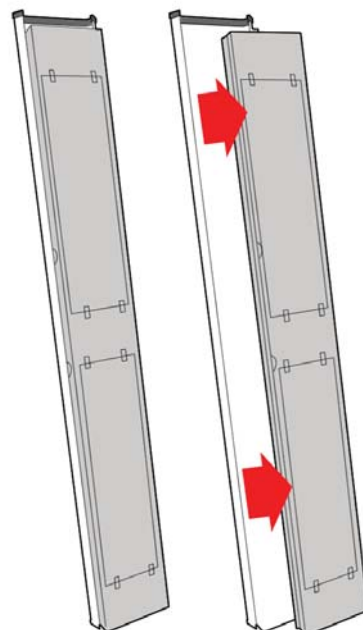
This product is fitted with toughened safety glass. The glass is stronger than regular glass and if it breaks it will form small pieces of cubed glass, not

dangerous shards of glass. These small pieces are still sharp, so care must be taken when handling the broken glass.

If the glass is put under stress or is chipped it will break.

**DO NOT ALLOW THE GLASS TO IMPACT HARD SURFACES OR OBJECTS AS THIS MAY CHIP/WEAKEN THE GLASS. WEAKENED GLASS THAT IS CHIPPED OR UNDER TENSION MAY SHATTER AT ANY TIME, NOT ALWAYS IMMEDIATELY.**

## REMOVE THE WHITE PLASTIC COVER ON THE BACK OF THE TOWER PANEL



Fitted to the rear of the tower panel is a white plastic protective cover. This part is fitted to protect the valve and pipes during transport.

REMOVE and DISPOSE of this part as it is not needed.



# 1. FITTING THE SHOWER VALVE

The Thermostatic Shower Valve will need to be fitted into the central tower panel into the three pre-drilled, vertical holes available for it.

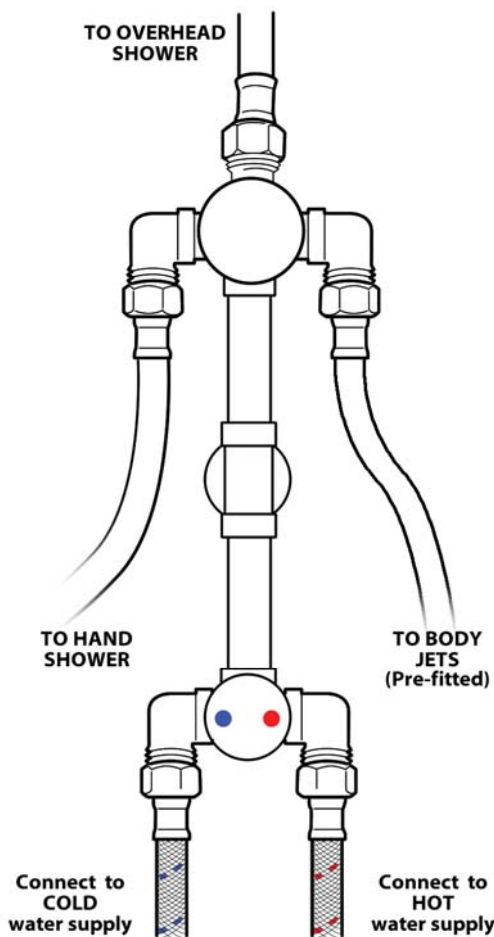
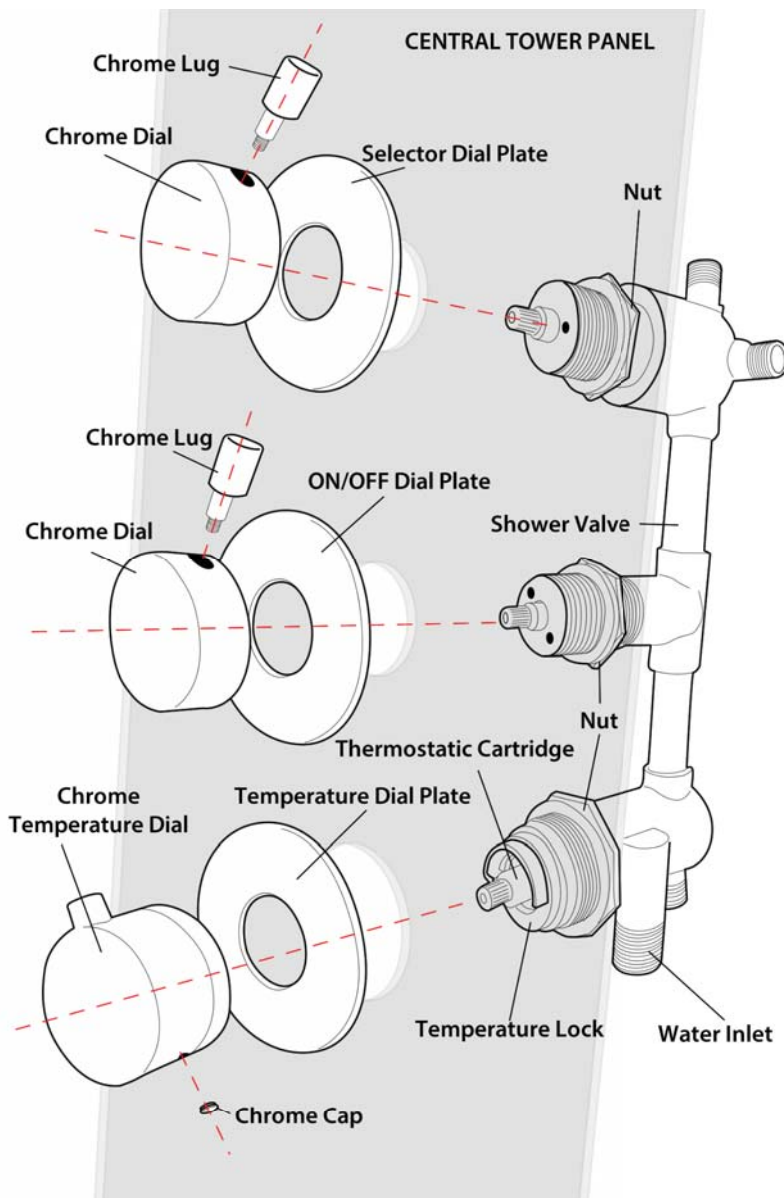
First remove the 3 Chrome Dials from the valve.

The Selector Dial and ON/Off Dial are removed by unscrewing the Chrome Lug on the side. Once removed this should also come free with the threaded grub screw part in place, so the dial will now pull off.

The Temperature Dial has a small silver cap on the opposite side to the Lug. Remove this cap and insert a 2.5mm Allen Key inside to the grub screw. Turn a small amount to loosen (not remove) and then pull the dial away.

Next unscrew each of the Chrome Dial plates.

Now position the valve from the rear of the central panel to align with the holes and push through the holes.



Re-fit each of the Chrome Dial Plates from the front of the panel. This will now hold the valve in position.

Adjustments can be made to the rear nuts to allow the valve to be seated correctly against the panel.

Now you can re-fit each of the chrome dials, remembering to fit the lower (thermostatic control dial) on the lower most position.

Now the valve is in position and tight you can fit the two WRAS approved, Braided hoses to the water inlets at the bottom of the valve in preparation for connecting to water at a later stage.

Connect also the silver/grey hose from the overhead shower that is pre-fitted to the upper part of the central panel. Ensure this connection is watertight.

## 2. FITTING SEAT (OPTIONAL)

If your product came with a seat you may choose to install this item.

Before commencing full assembly of the product you will need to prepare and fit the seat.

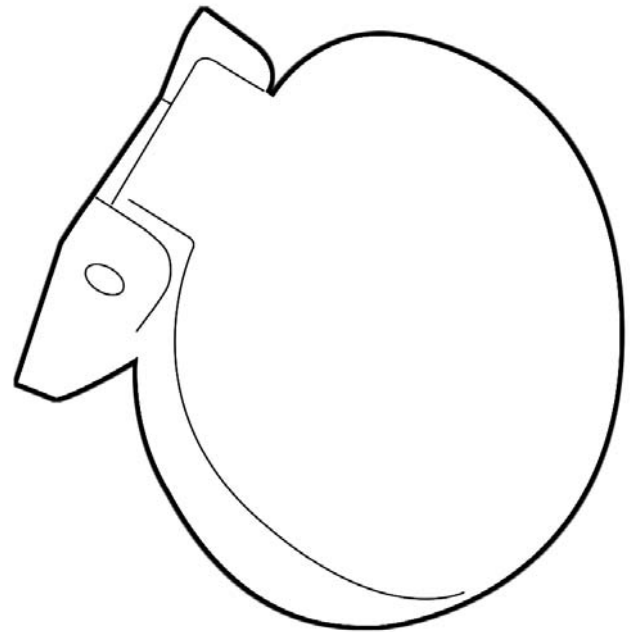
You need to drill three or four holes for the fixing bolts into the tower at your preferred height.

Drill the holes in the central tower to the measurements shown in the diagram below.

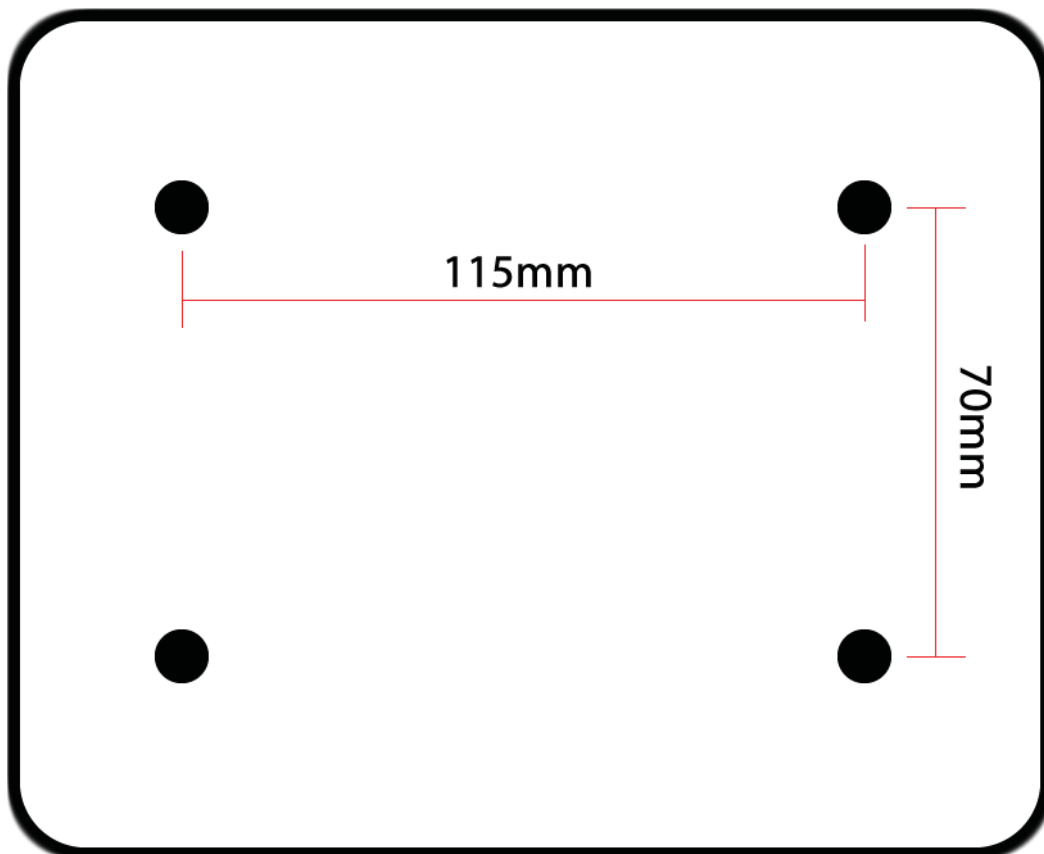
Remove the four fixing nuts from the threaded ends on the rear of the seat fixing plate.

Pass the threads of the seat through the holes from the front of the tower panel.

At the rear, fit the seat in place by fitting the nuts and tightening up.



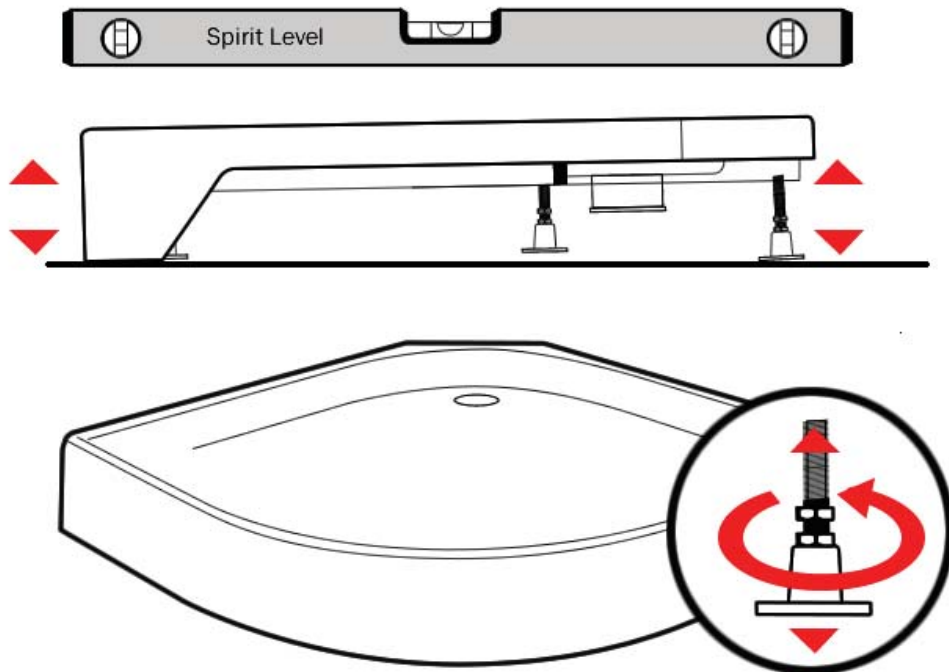
**The seat has a MAX allowance for use of 100kg**



### 3. LEVELING AND FITTING THE TRAY

Remove the protective film covering the base.

Connect the soil pipe, trap and any couplings to the flexible waste under the tub. You may choose to fit either a HEPV0 trap with the appropriate couplings or choose to fit a McAlpine ST28M coupling to a McAlpine 28-NRV trap.



Position the tub base in what will be its final location and adjust the feet until the base is level. You can raise/lower the feet under the tub and with a spirit level laid across the tub, ensure the tub is level.

Now fill the base with some water and check that the water flows adequately to the plug and exits satisfactorily. If the water does not flow to the plug fully, then you will need to increase the fall on the tray by adjusting the legs. If the water does not exit the waste section fast enough, then ensure there is suitable fall in the waste pipe and/or no blockage or kinks in the pipe work.

Check and attend to any leaks.

Now slide the tub away from the wall to allow access all around the shower as you assemble.

This product is freestanding so you do not need to fix the feet to the floor.

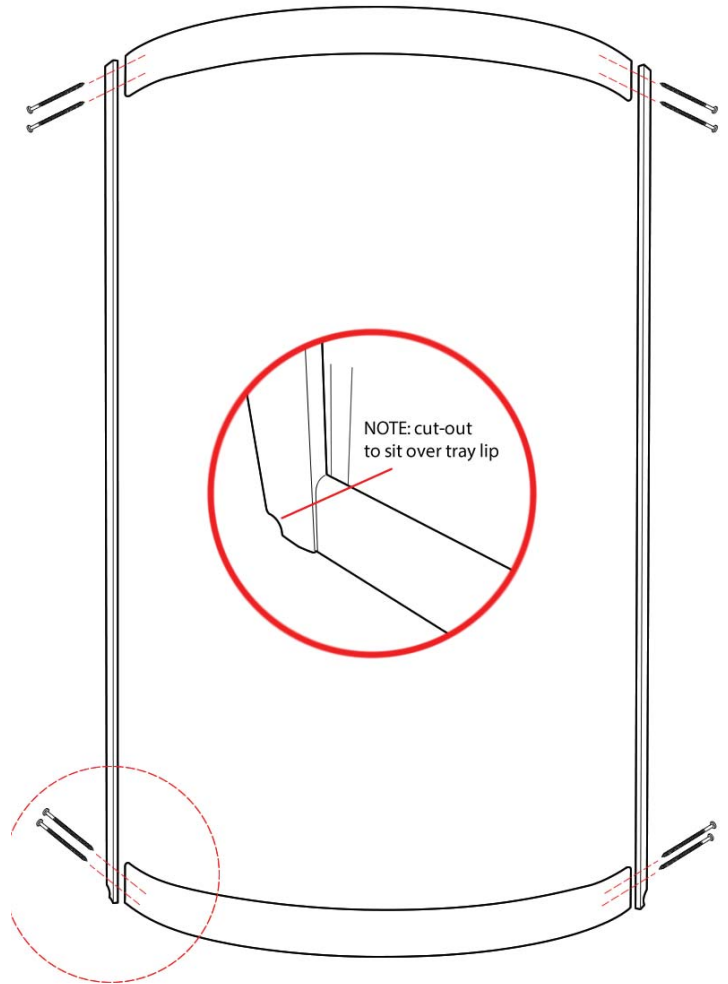
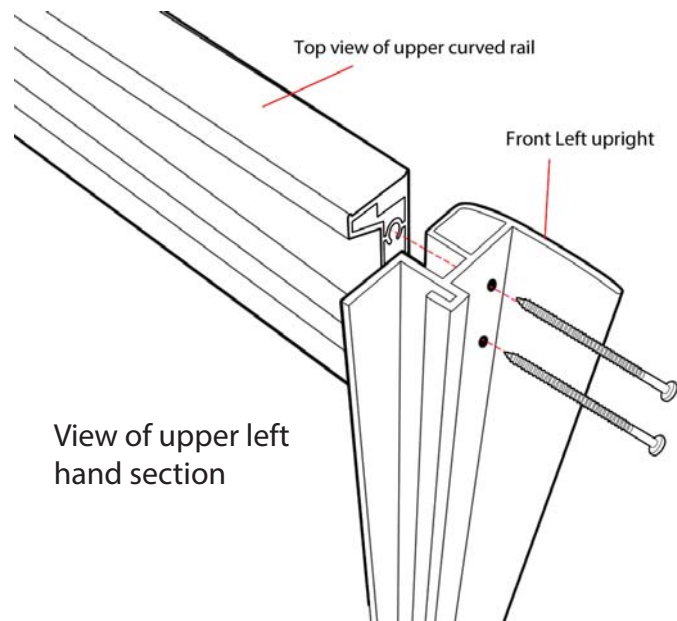
## 4. FRONT FRAME

Locate the two silver coloured upright frame sections and the two curved frame rail sections. You will need the 8 x LONG screws to join these sections together.

The curved rail sections are identical. Both uprights have a cut out on one end (see diagram opposite); this is to sit over the tray lip. Take the left hand upright and position against the upper curved rail as the diagram below. The screws pass through the holes in the side of the upright and fasten into the curved rail as shown in the diagram below.

A power driver is advised for this process.

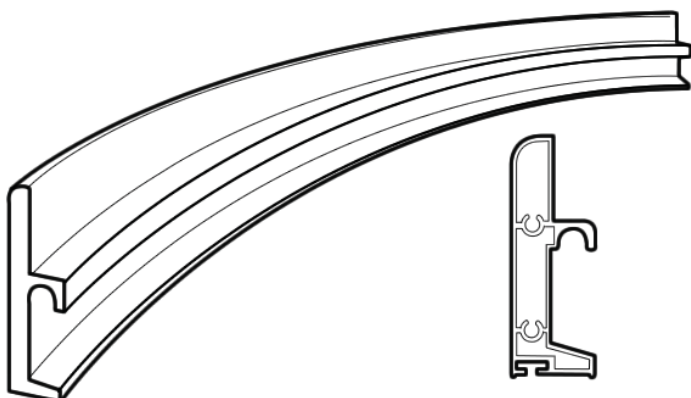
**DO NOT FULLY TIGHTEN THE SCREWS - ALLOW SOME MOVEMENT IN THE FRAME FOR INSTALLING THE FIXED GLASS**



Repeat the process on the other upright.

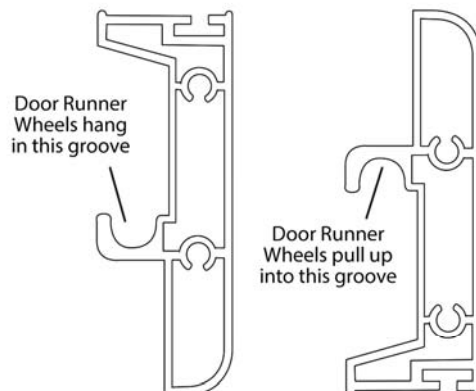
Finally, join the lower curved rail to the other ends of the uprights using the remaining 60mm screws.

You now have completed the front frame assembly.



**Upper Curved Rail Frame Section**

**Lower Curved Rail Frame Section**



## 5. INSTALLING THE FIXED SIDE GLASS PANELS

THE FRAME MUST **NOT** BE FULLY TIGHTEN WITH THE FIXING SCREWS FOR THIS NEXT SECTION

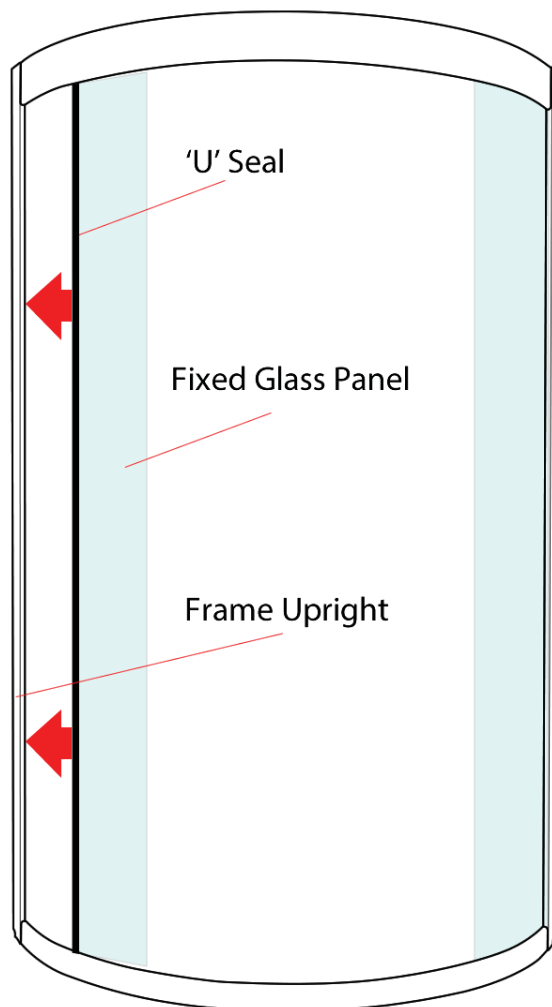
Locate the two fixed glass panels. These are different from the doors as they do NOT have any holes pre-drilled.

Locate the two U shaped rubber seals.

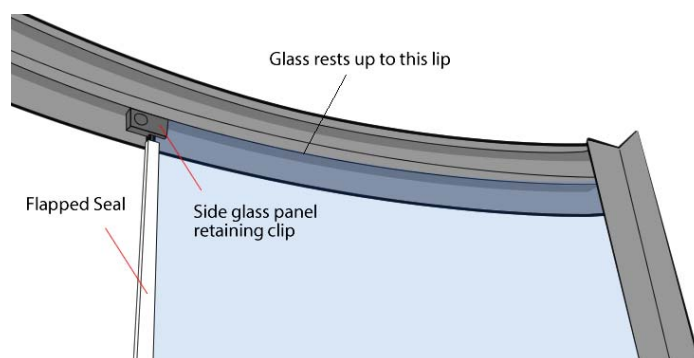
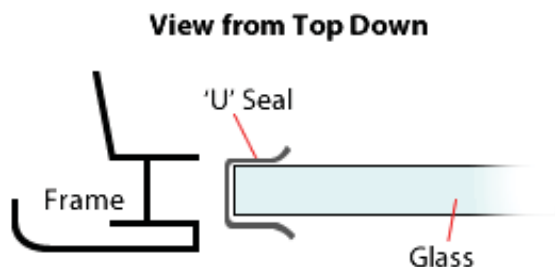
Take one of the U shaped seals and fit over one long edge of the fixed glass panels. Trim any excess leaving it running the full length.

Now position this glass panel up to the frame pushing the long edge of the glass into the upright of the frame until FULLY bedded into the frame upright.

This MUST be done from the inside of the frame. The glass will sit within a lip on the inner surface of the curved rail both top and bottom.

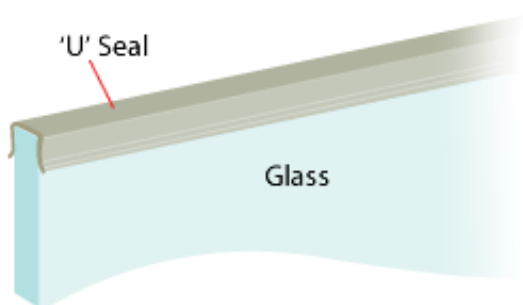


**DO NOT HIT GLASS WITH HARD OBJECTS TO PUSH INTO THE FRAME.**

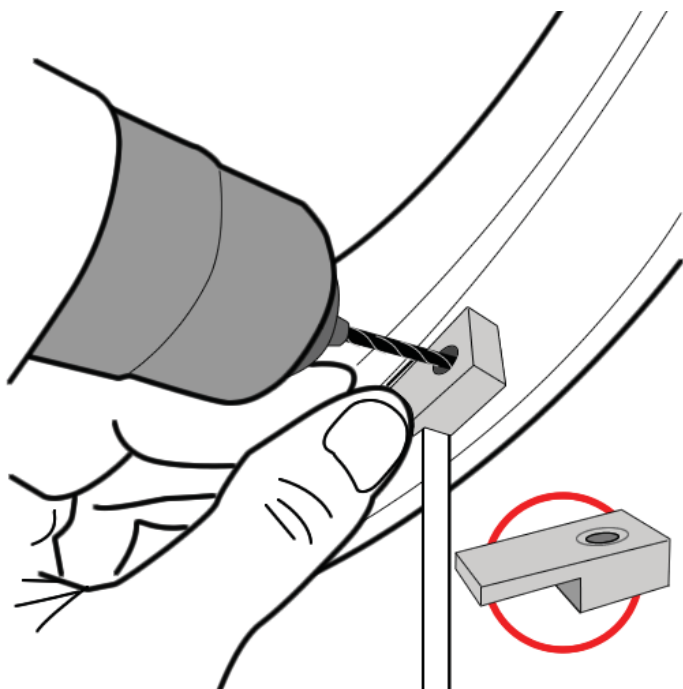


Repeat this process on the other glass panel.

Now both glass panels are fully inserted into the uprights you can tighten up the four corners of the silver framework which will not hold the glass in position.



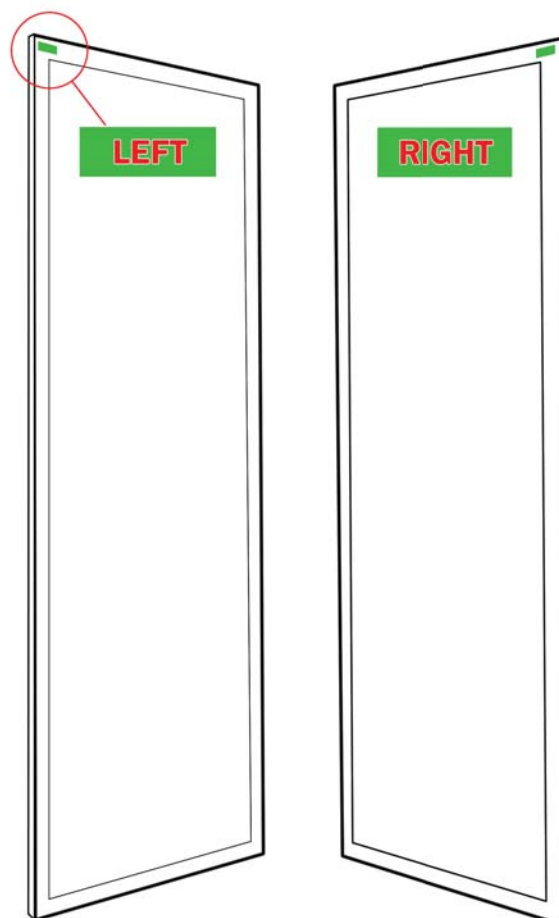
## 6. GLASS RETAINING CLIPS



Now both glass panels are fully inserted into the uprights you can tighten up the four corners of the silver framework which will not hold the glass in position.

Next you need to fit the Retaining Clips to hold the glass firmly. Position a clip tight up to the glass on the inside of the upper and lower rails, mark the position and drill a small hole then fix a screw to hold the clip in place. Repeat top and bottom on both fixed glass panels.

**CAUTION WHEN DRILLING - ONLY DRILL THROUGH THE INNER SINGLE LAYER OF FRAME**

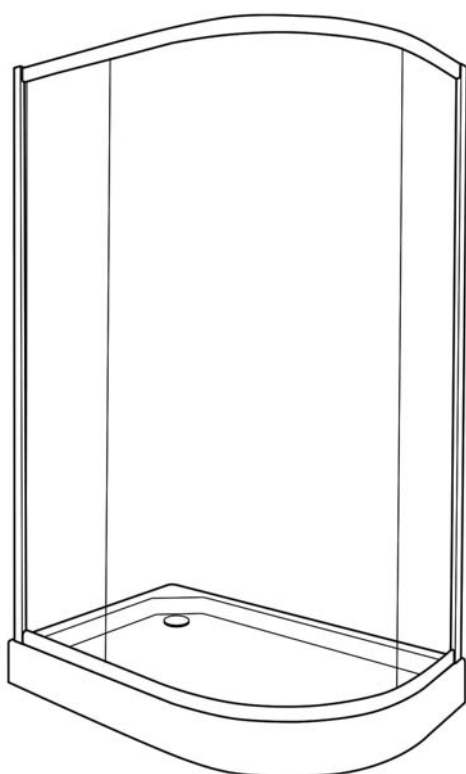


## 7. REAR PANEL ASSEMBLY

THE NEXT PART OF THE PROCESS REQUIRES TWO PEOPLE.

Locate the two rear, framed glass panels. Each is marked (LEFT or RIGHT).

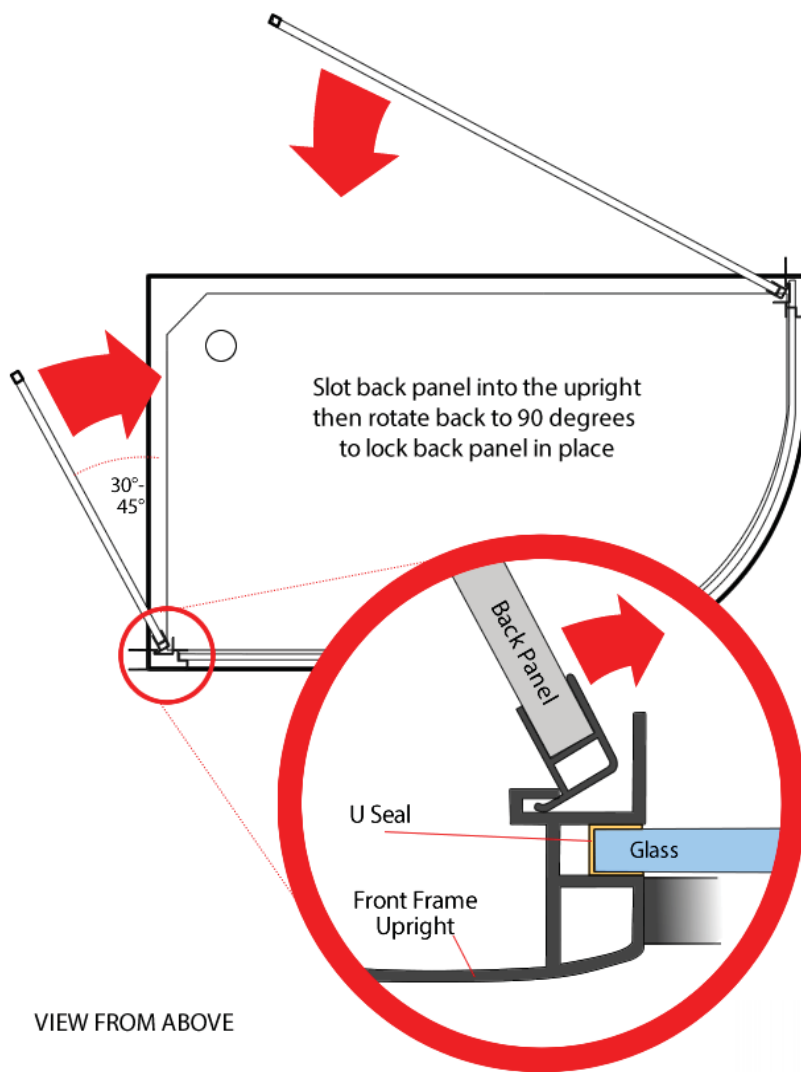
Facing the shower from the front, the panels fit according to their label.



Position the front silver framework onto the tray in position along the front facing edge (as diagram on left).

**A bead of sealant can be run between the joining faces to provide an extra level of water protection.**





VIEW FROM ABOVE

Taking one rear glass panel in turn. Along one long upright edge will be a small lip, this lip is hooked into the silver upright as shown in the diagram (left) and then rotated into its final position on the tray.

NOTE The lip must be offered up at an angle, which means the tray must be away from the wall to do so. Do not force the panel when rotating, if it does not move easily check that the lip is in position along the full length before rotating.

Once in position, repeat the process with the other panel.

With both glass rear panels now fitted, you can position the Central Tower Panel between the rear panels. Offer up the tower from the inside of the shower.

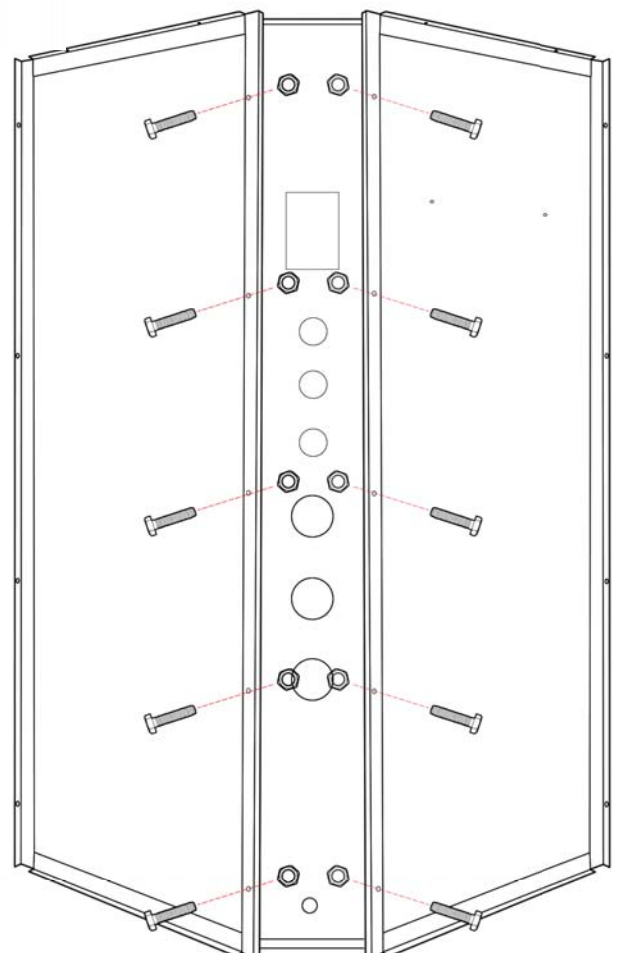
Align the holes on the rear panels to those in the tower and fix in place with the nuts and bolts provided.

TIP: Only fit each bolt loosely at first to allow enough movement to locate every bolt into position. Once all are located in place, then tighten each up fully.

Carefully lift the three joined sections onto the tray into position.

A bead of sealant along the tray where the panels will sit will provide a watertight barrier.

Remember to remove any excess sealant once the panels have been seated into position.



(Above) 10 x Nuts and Bolts used to join rear glass panels to tower panel. (viewed from rear)

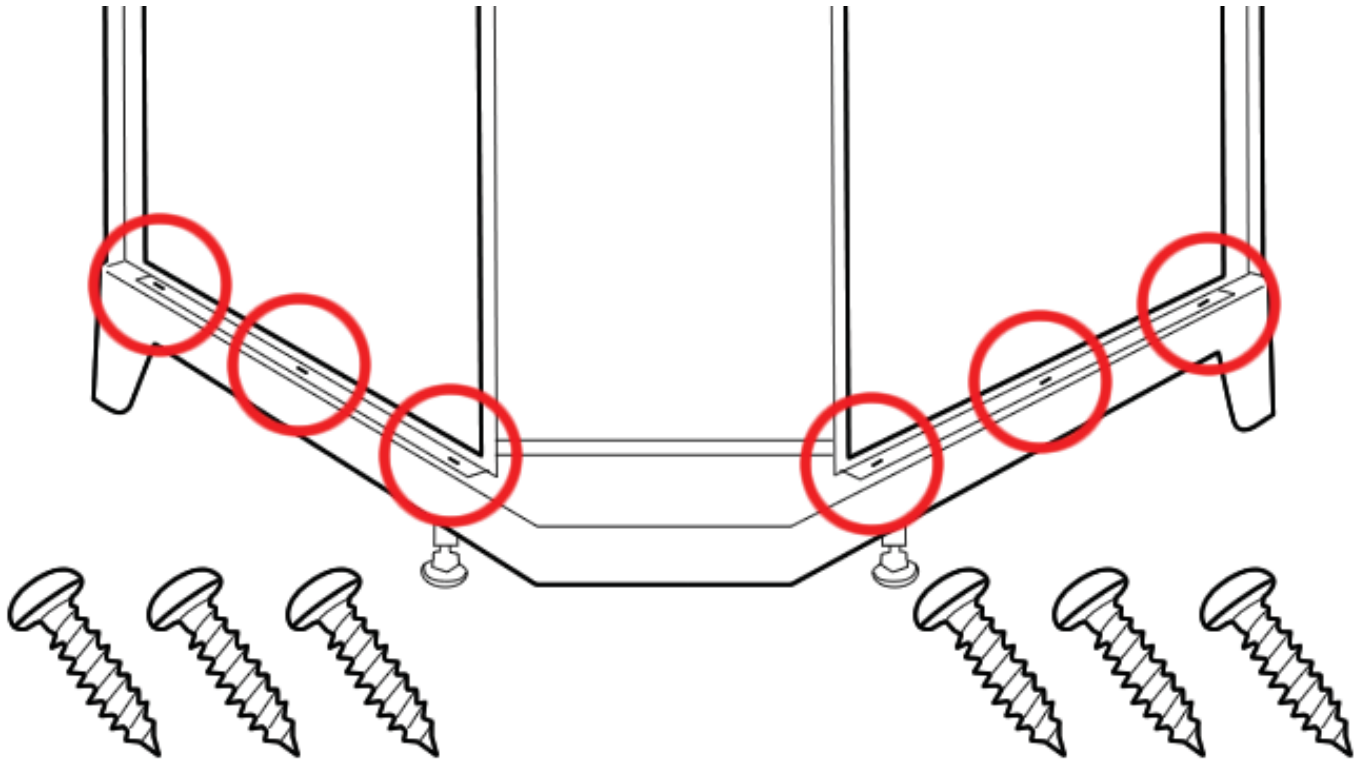


## 8. FIXING THE BACK PANELS TO THE TRAY

The rear glass panels can now be fixed to the tray.

At the rear of the shower the lip of the frame has fixing holes to enable the screws provided to be used to fasten the rear glass panels to the tray. There are 6 fixing points.

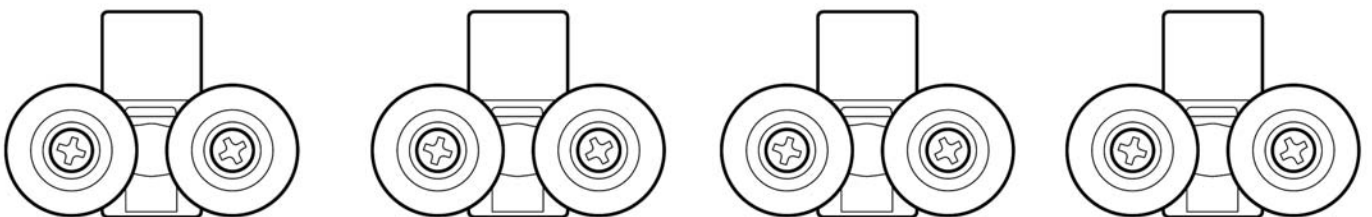
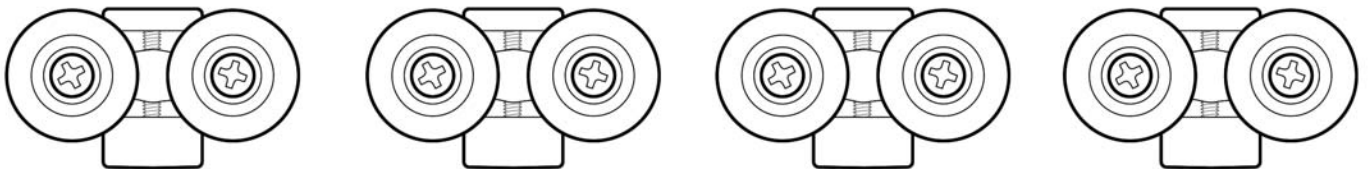
Fixing is done with the short screws provided.



## 9. FITTING THE SHOWER DOOR WHEEL RUNNERS

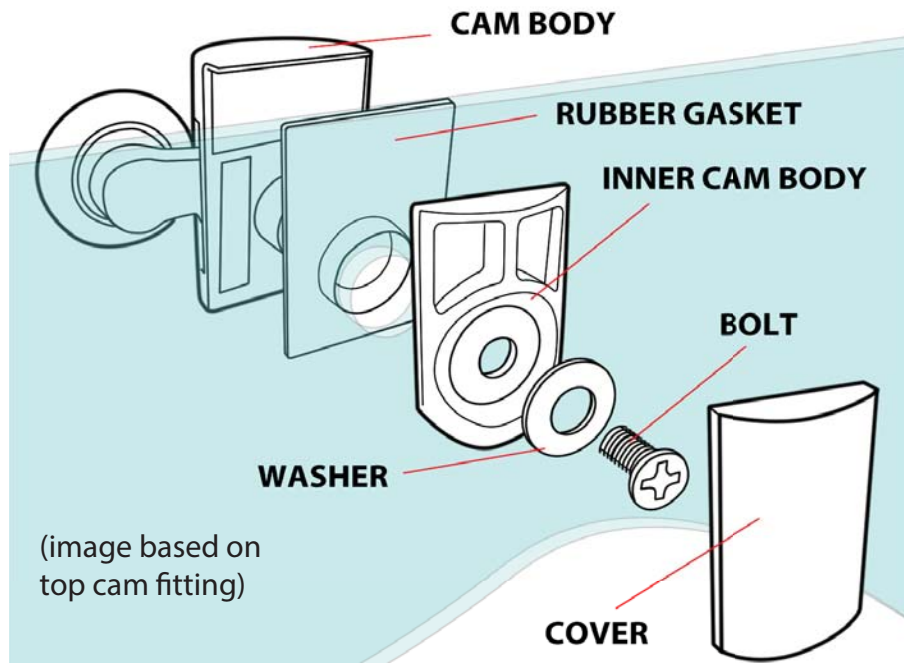
Locate the pack of 8 twin wheel shower door runners (cams). There are two different types provided.

### UPPER RUNNER WHEELS



### LOWER RUNNER WHEELS (WITH PUSH BUTTON QUICK RELEASE)

*Continued...*



To fit each of the cams, first select the appropriate cam for the position on the door:

- 4 x Push button/Quick release for the lower position on the doors.
- 4 x Standard non push button for the upper position on doors.

Position the Cam Body on the outside facing side of the door (curve pointing outwards). Place the clear rubber gasket between the cam body and the glass. The gasket will fit into the hole on the glass.

On the inside of the door, position the grey plastic inner cam body, then washer and bolt.

Now tighten the parts together with the bolt until firmly held in place.

**DO NOT OVER TIGHTEN AS YOU MAY BREAK THE GLASS**

With the cam fixed in position, slide on the Chrome finished cover.

Repeat this process of all of the cam wheels.

**TO HANG THE DOORS**

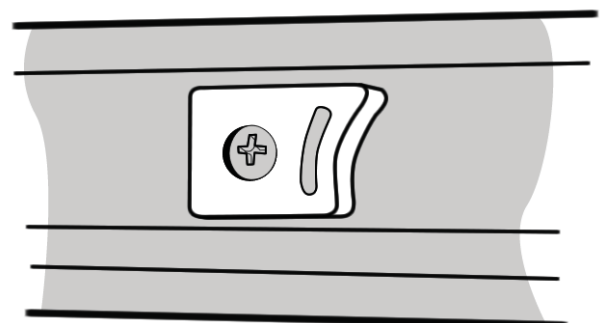
From inside the shower position the upper wheels into the running tracks on the inside curve of the upper curved rail and then let the door hand down.

From outside the shower, move the door to what would be a closed position and press the quick release buttons on the top of the lower cams and move the wheels to fit into the lower runner tracks.

Repeat for the other door.

**DOOR STOPS**

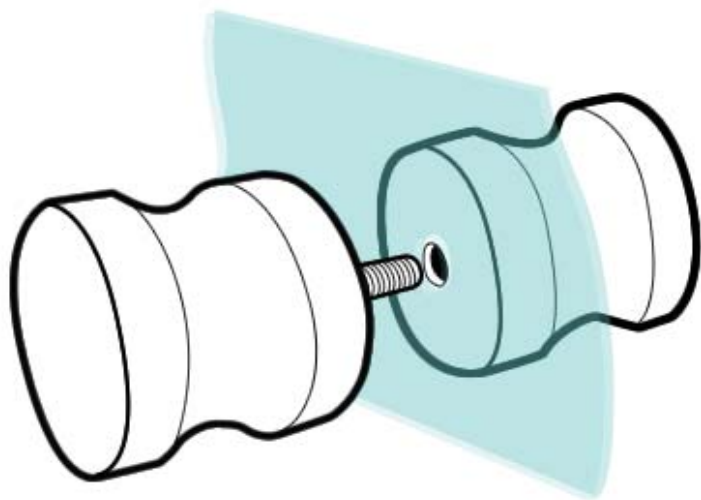
On the inside curve of the upper and lower rail are some holes pre-drilled. Fix each of the 8 door stops at these locations with the provided screws. The stops also have a grey cap to cover the screw in the stopper of each — these simply push into place.



## 10. FITTING THE DOOR HANDLES

Each of the two shower doors requires a pair of chrome finished door knobs to be fitted.

The knobs will be supplied in pairs. Unscrew a pair of knobs and you will see that one side has a long thread. Once apart, pass the thread through the hole in one of the shower doors and tighten the other knobs on the other side of the glass to it. Tighten until secure. **DO NOT OVER TIGHTEN.**



## 11. OVERHEAD SHOWER

The overhead shower is comprised of three parts. A chrome 'J' shaped arm, a Chrome finished overhead shower rose and a swivel joint. The joint may be pre-fitted to the shower rose.

The J Arm has two fixing points on the straight section that are threaded. Remove the fixing nuts. Position the threaded sections through the holes in the upper part of the central tower panel on the inside of the shower.

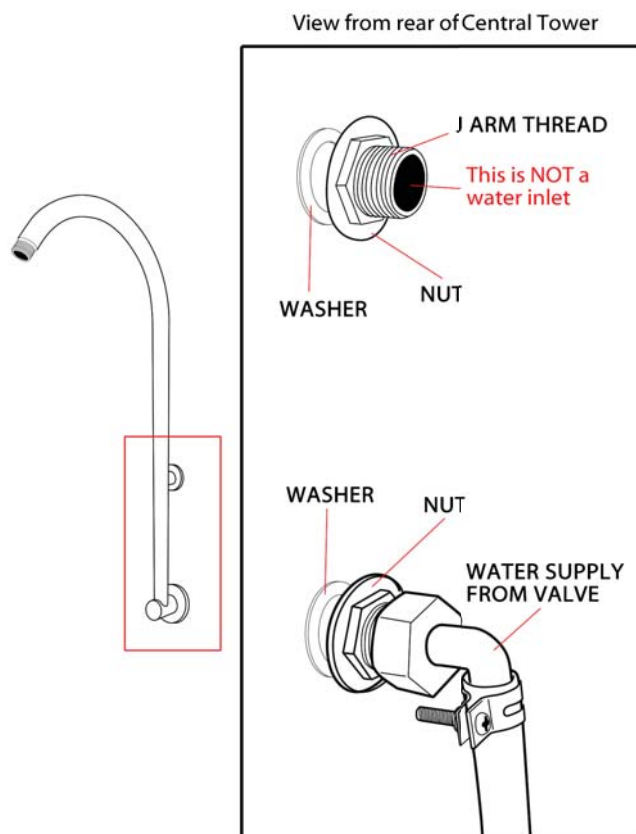
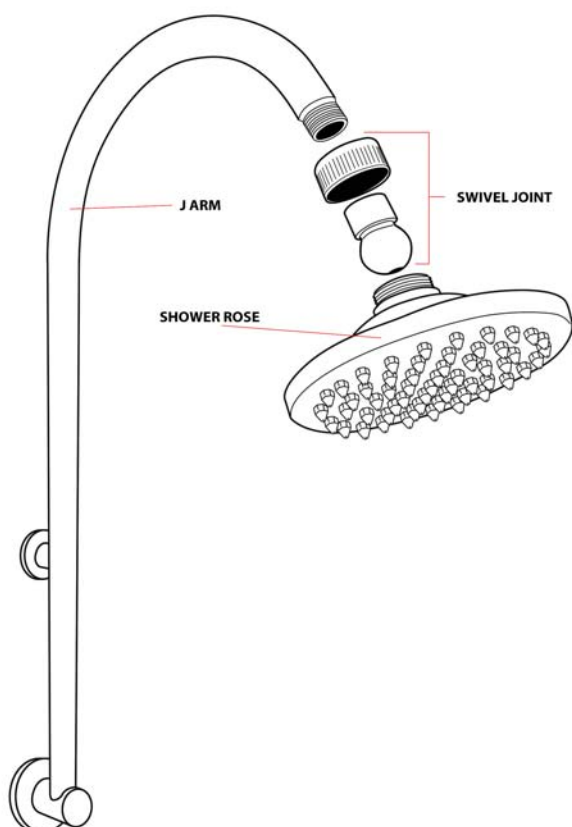
With the nuts that you removed, fasten at the rear on to the protruding threaded ends to fix the arm in place.

Now connect the rose and swivel joint to the arm.

At the rear of the shower, connect the hose that is coming from the top of the valve to the lower (water in part) of the J Arm.

### TEST FOR LEAKS

Make sure the connection is tested and is watertight. You may wish to use some PTFE tape or other suitable products to provide the best water tight seal on this joint.



## 12. HAND SHOWER AND RISER

You are now ready to assemble and connect the hand shower.

The hand shower comprises of:

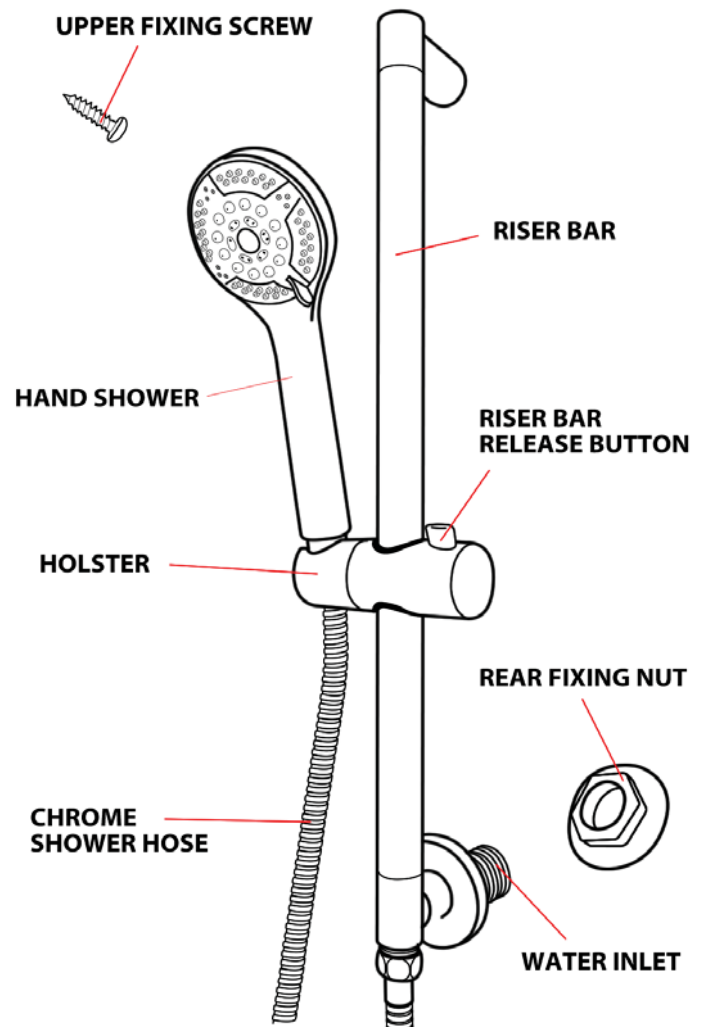
- Multi function hand shower
- Chrome finished riser bar
- Hand shower holster
- Chrome water hose
- Rear retaining nut
- Fitting Screw

The lower part of the riser bar has a threaded water connection. Position this part through the larger hole on the rear glass panel.

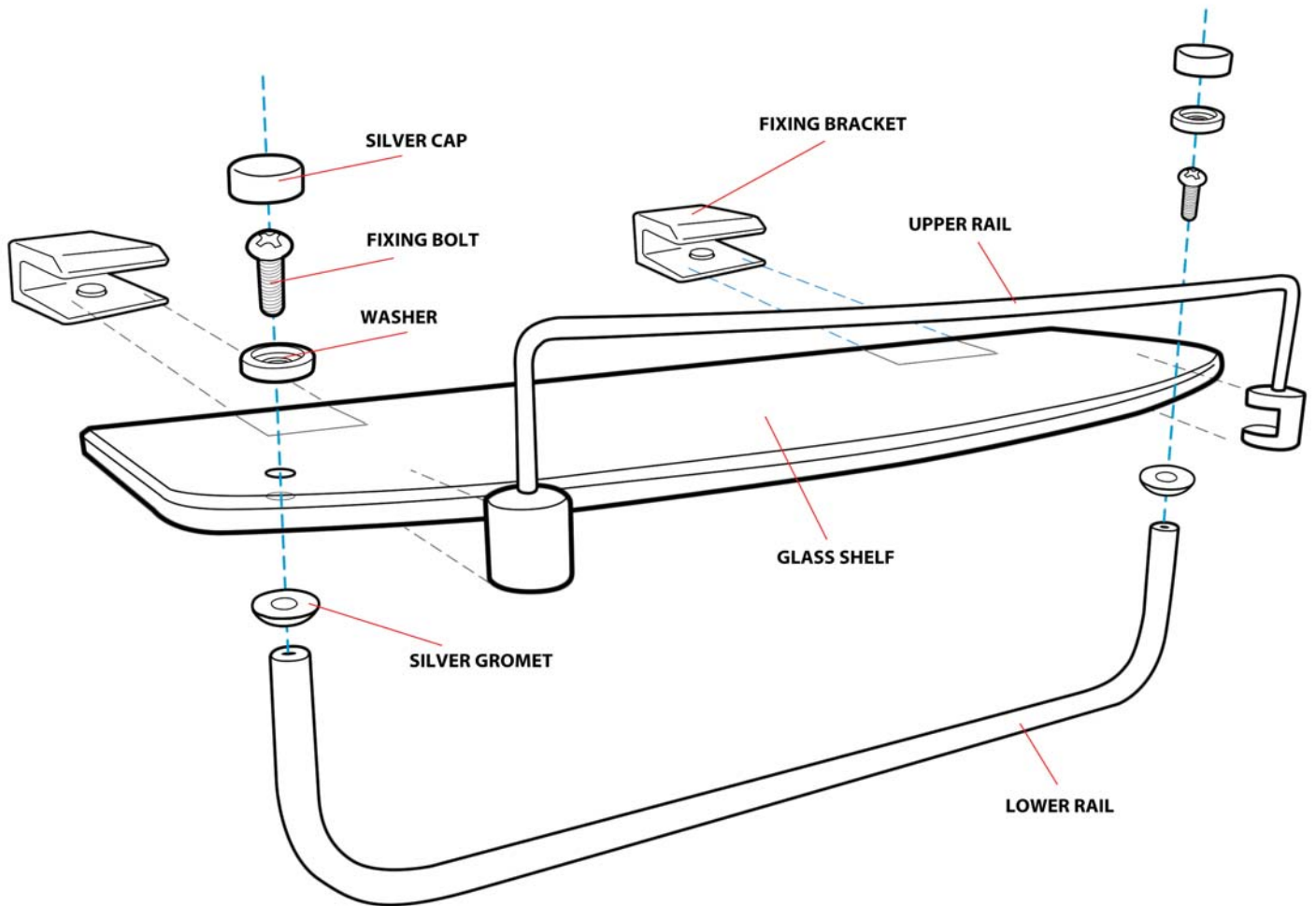
Fit the rear fixing nut from the rear of the shower to hold in place. Secure the upper part of the riser bar with the screw provided. Tighten both until secure.

Connect the silver hand shower hose to the lower part of the riser bar and the other end to the hand shower head.

At the rear of the shower, locate the grey water supply hose coming from the shower valve and connect to the water inlet of the riser bar. Test this water connection to ensure it is water tight. Using some PTFE tape or other product may help to achieve the best watertight connection.



### 13. GLASS SHELF



Assemble the shelf fully before fitting into the shower.

Position the lower chrome rail over the holes in the glass on the underside of the shelf with the silver grommets positioned between the two.

On the upper side of the glass, pass the bolt through a washer and through the hole in the glass and fasten into the end of the lower rail.

Repeat the previous step on the other end of the lower rail so that the rail is securely fixed in place. Take the two silver caps and fit them over the ends of the washer and bolt to provide a clean finish.

The upper rail pushed over the glass from the front. Using a flat head screwdriver, tighten up the fixing point of the front rail, which is located on the underside.

Position the two fixing brackets onto the inside of the rear panel of the shower in the holes provided. Fix the brackets at the rear of the shower with the supplied bolts and washers.

Place the glass of the shelf centrally into the slots of the brackets and then tighten the fixing points on the underside of the brackets to hold the shelf in place. **DO NOT OVER TIGHTEN THE BRACKET CONNECTIONS AS THIS MAY BREAK THE GLASS.**

## 14. SHOWER VALVE

The shower valve can be accessed from the rear of the shower and is located on the central tower.

The valve is divided into three parts that are joined together.

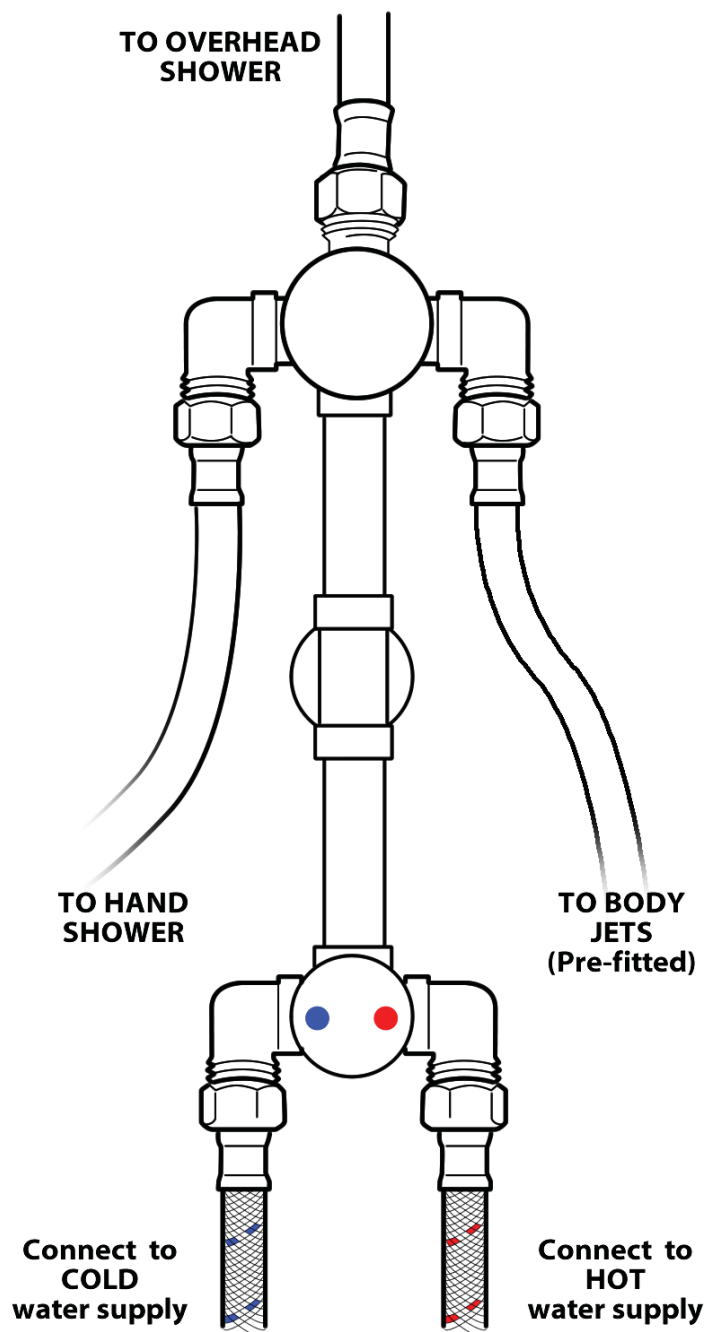
The uppermost part is the diverter. There are three connections able to be made here. One to the overhead shower from the outlet pointing upwards, the right hand outlet will be pre-connected to the body jets and finally the left hand connection needs to be made to the hand shower riser bar.



**When making the connections, ensure they are water tight. Check all pre-fitted hoses as these may only be hand tight during manufacture.**

The middle part of the valve handles the water on and off. There are no connections to be made here.

The lower part of the valve has two connections for the hot and cold water supplies into the valve. These are to be connected to the water supply pipes behind the shower.





## 15. SHOWER SEALS

This shower comes with 4 flapped shower seals that are in two different lengths.

### SHORT FLAPPED

The shorter flapped seals fit onto the **end of the fixed glass panels**.

### LONG FLAPPED

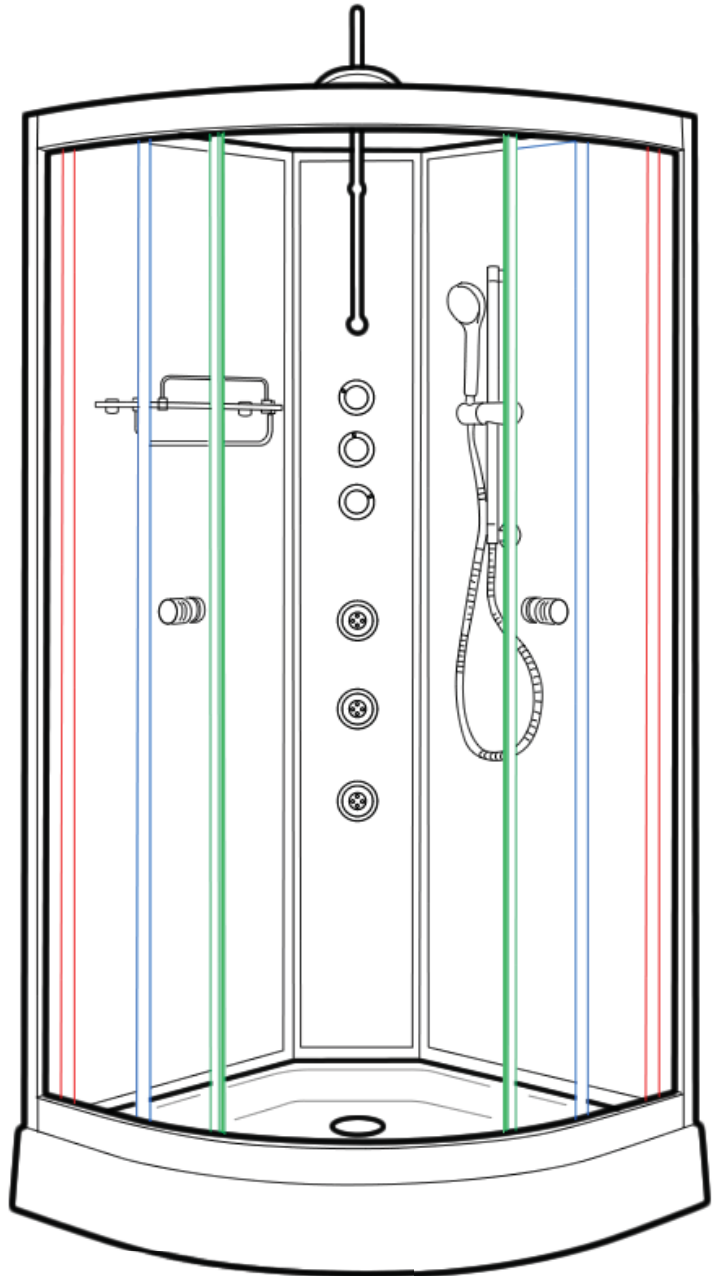
The longer flapped seal fit onto the **trailing edges of the doors**.

The seals are not designed to touch the glass, but when the doors are closed they meet so that water is unlikely to escape.

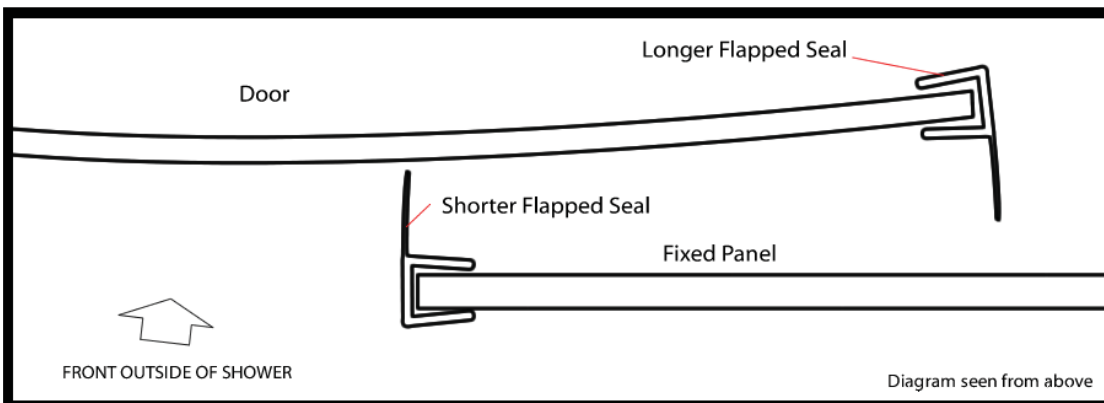
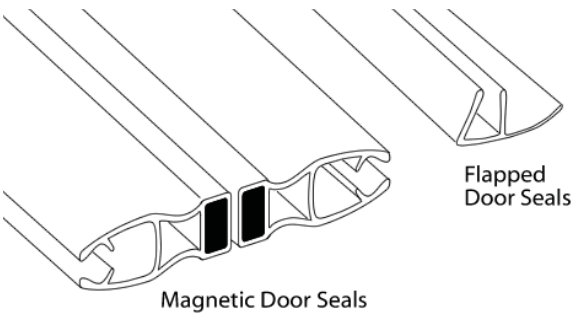
### MAGNETIC

The magnetic seals fit onto the doors where they meet.

Ensure all seals are fully fitted onto the glass, especially the magnetic seals, so that they form an even seal.



- Longer Flapped Seals
- Magnetic Door Seals
- Shorter Flapped Seals





# Water Connections

This product requires a hot and cold water supply. The Hot and Cold water should ideally be finished about 1 meter above the floor centrally in the corner and finished with 15mm compression fittings. The shower has two braided flexible hoses that connect to the water supply pipes.

WATER PRESSURE: 1-3 bar (ideally above 2 for optimum results)

WATER FLOW: above 7.5 litres per minute

Fitting Isolating valves is recommended as this makes service access easier than locating the house Stop Cock. Additionally Isolating valve enable you to disconnect water to the shower if you are away from home for long periods of time.

## Combination boiler installation and PEV's

This Shower cabin does not normally require a Pressure Equalising Valve (PEV) as it uses the latest generation of shower valve fitted with Thermostatic Cartridge, which enables it to handle un-balanced water pressures itself, to provide accurate temperature control.

This product can be connected to Combi Boiler system that provide suitable water pressure and water flow rates.

## Gravity Fed and Shower Pumps

Where the water is supplied by a hot water cylinder (gravity fed type systems) a shower pump should be installed. Ideally a shower pump rated over 2 bar supplying just the shower is recommended, or alternatively a pump of higher specification can be fitted to supply multiple showers within the property.

When choosing a pump, a twin impeller pump is recommended as this will ensure both the hot and cold water is of the same pressure.

Always refer to the manufacturers instructions regarding shower pump installations and choose the correct type for your particular situation (negative head/positive head etc). All pipe work between the storage tank, cylinder and to the pump should be 22mm and the shower positioned at least 250mm below the header tank. Please note that locating the pump further from the shower and cylinder may reduce the effectiveness of the pump and will certainly reduce the output pressure of water.

Ensure the pump is correctly installed and commissioned. Failure to fit the pump in accordance with the manufactures instructions may result in inadequate water supplies and lead to pump pulsing etc.

**Maximum pressure: The shower requires water pressure up to but not exceeding 3 bar. Exceeding this maximum rating may damage the product.**



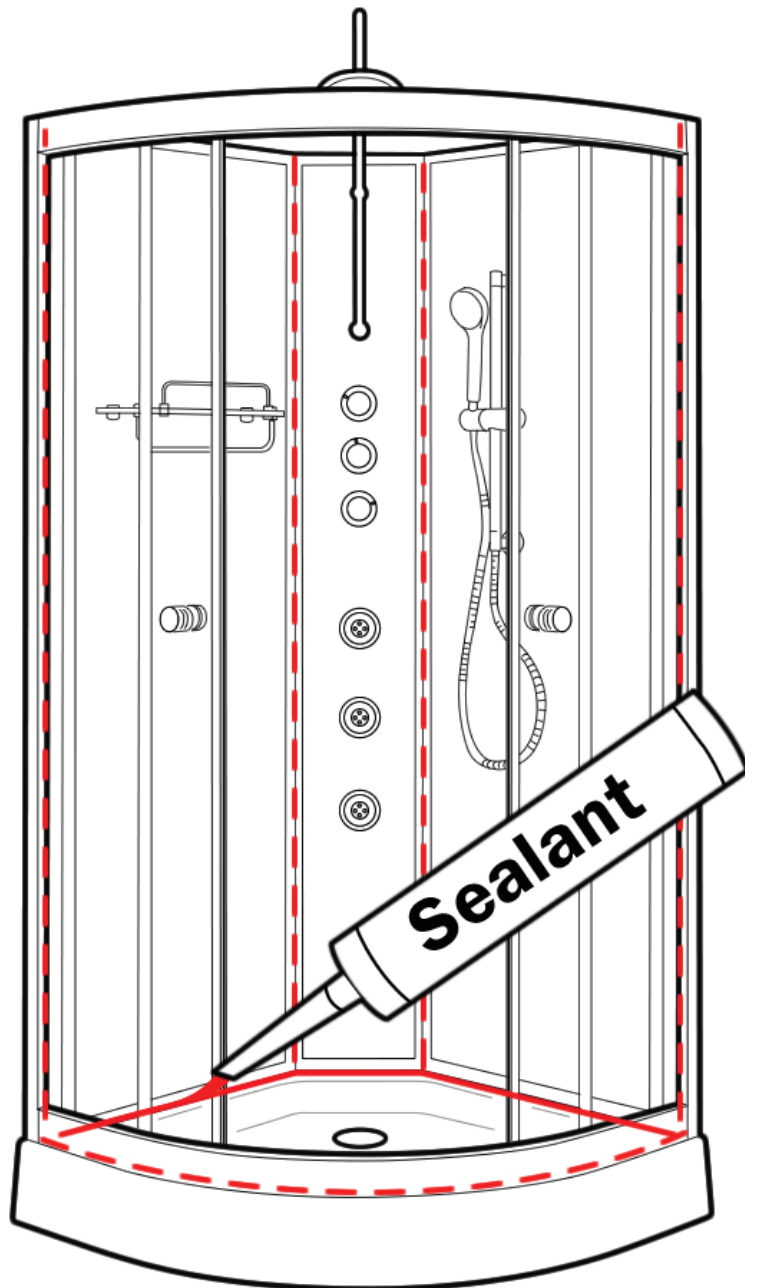
**CHECK ALL WATER CONNECTIONS ARE WATERTIGHT. PREFITTED CONNECTIONS MAY ONLY BE MADE HAND TIGHT AT MANUFACTURE AND/OR MAY WORK LOOSE IN TRANSIT**

# Sealing the Shower

We recommend that you seal the shower internally with a good quality bathroom sealant to provide an extra level of water proofing.

After allowing the sealant to set (as per the sealant directions), water test the shower and check for signs of water leaking, please attend to them as required.

In most cases sealant need only be applied to the areas marked in SOLID RED on the diagram, however you may choose to seal on additional places on the shower. As marked by the DASHED RED lines.



# Final Testing

Check and test that each outlet function (hand shower, body jets and monsoon) work as expected by rotating the DIVERTOR DIAL (top chrome dial).

Check the ON/OFF dial enables the water to be fully on or off in the position indicated on the valve markings.

Check the Temperature can be increased and decreased by turning the lower chrome shower valve dial. Test that the button can be pressed at 38 degrees to turn the dial to the hottest settings.

Check the water runs to the waste/plug efficiently. A small amount remaining in the tray is normal.

## FAULT FINDING

### **Water does not exit tray fast enough.**

The tray must be leveled and a suitable 'fall' on the tray that enable the water to run to the plug. Additionally, the waste hose (under the tray) should have suitable fall to allow water to exit quickly.

### **Water pressure / flow is low on some or all shower options.**

Check all the hoses are not trapped or kinked and thus restricting flow. Check also that any washers are not out of position and restricting flow. Ensure you have OVER 7.5 litres per minute flow and over 2 bar water pressure.

### **Water is 'pulsing' .**

If a pump has been used to supply water under pressure and the back jets, or hand shower cause the pump to start and stop (PULSING WATER), remove the NON RETURN VALVES. Remove the Braided hoses at the rear of the shower. Look inside the valve where the hoses connected and you will see a silver coloured 'C' clip. Remove this and this will enable the NRV to be removed (white plastic item). Refit the hoses and re-test. Pulsing may also be noted where a pump has not been fully commissioned and there is air in the system.

### **Doors do not meet correctly and or bind when opening or closing.**

Adjust the door runner cam wheels correctly to enable smooth running and operation.

### **Water is leaking out of the shower.**

Dry the shower fully. Once dry, turn on the shower and operate the functions and look for where the water is leaking from. Apply sealant to the area where the water is leaking from.

### **The shower temperature is low.**

If the water in the rest of the house is at a suitable temperature, then you may need to replace the thermostatic cartridge. Limescale or other dirt can impair the function of the cartridge.

For more help with your shower, please call 01422 410769 and our technical team will be on hand to help.

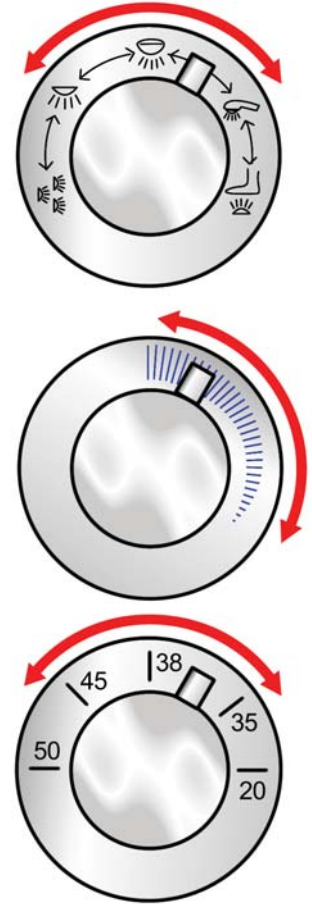
# Operating Instructions

There are 3 control dials inside your Shower Cabin. These dials control the output functions, water flow and temperature of your shower.

The top dial can be turned to allow you to choose which output you wish to use: Body Jets, Overhead (Monsoon) Shower and Hand Shower. Turn the dial to the required output, there will be an audible click as the selection is made. Do not turn the dial when water is flowing as this will decrease the life of the selector mechanism.

The middle dial adjusts the water flow rate. The dial rotates through 90 degrees. It also acts as the on/off for water flow.

The lower dial controls the temperature. The dial rotates from 20 degrees to 38 degrees and then will stop. This is an anti scald feature. To enable temperatures higher than 38 degrees, simply press the knob on the dial in (toward the main dial) and then turn the dial past the 38 degree mark.



## Safety Precautions

Always disconnect or isolate the water supply to the shower before commencing any investigations, service or replacement of parts. Where the product has electrical power, this should also be turned off .

Children should NOT use the shower unless under strict adult supervision.

The tray surface inside the product can become slippery especially if soap, gel or shampoo is on the surface, we therefore advise care when stepping in, out and during use.

# Cleaning and third party product use

This shower should be cleaned after every use to remove the build up of dirt and bacteria. We would recommend that after normal showering use, that the cabin doors are left open until the inside is fully dry. This will help prevent the build up of soap scum, dirt and bacteria.

The shower cabin can trap dirt in gaps between joints of panels etc, which may require extra care and attention during cleaning. To minimise dirt build up between panels, the application of a bead of silicone sealant suitable for shower/bathroom use will fill the gap leaving a smooth finish and both stop dirt build up and offer an extra level of water tightness.

The shower cabin can be cleaned with any suitable cleaning solution that is not abrasive, and is recommended by its manufacturer for use on acrylic, chrome and glass surfaces as appropriate to the materials in the shower. Not all general bathroom cleaners are designed for use on some materials of this product.

**DO NOT USE CIF OR OTHER ABRASIVE CLEANING PRODUCTS ON THIS SHOWER.**

In hard-water areas, wash down the unit and remove the dirt periodically. Fitting a water filtration device is also advisable in areas where the water is likely to lead to a build up of minerals within the pipes and divertor assembly. Hard water WILL reduce the life of the Parts that come into contact with water, such as the Thermostatic Valve. Fitting water softening devices will prevent this.

## Additional information and help

For full product guarantee details on this product please call Sales on 01422 356863 or Technical on 01422 410769

For more details on the installation of this shower, technical support and FAQ please call The Technical Team on 01422 410769

If you need a replacement part for your product, please call us on **01422 410769** with the details of your product. Please ensure you have your order number and supplier at hand.

To find parts for your product after the Guarantee has expired, please **call 01422 410769**

# Thermostatic Cartridge

Your shower is fitted with a Thermostatic Cartridge. Should you need to remove or replace the cartridge for maintenance or replacement, follow the instructions below.

Q: I am having to turn the dial round as far as it will go to the hottest setting and the water is only just warm.

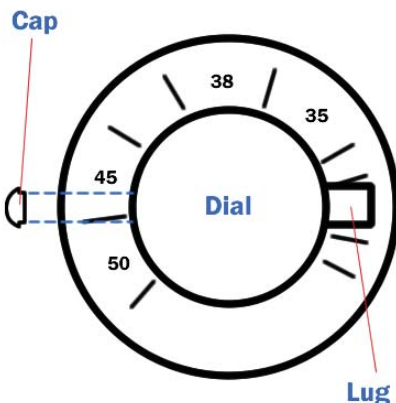
A: Your Thermostatic Cartridge has showed signs of failure. You will need to replace the Cartridge.

Q: Why did my Thermostatic Cartridge fail?

A: Hard Water areas will result in calcification, which will build up in the Cartridge. Other reasons might be age of the Cartridge or even dirt or debris collecting in the Cartridge from the pipes.

**BEFORE STARTING ENSURE THAT THE WATER SUPPLIES ARE DISCONNECTED OR ISOLATED**

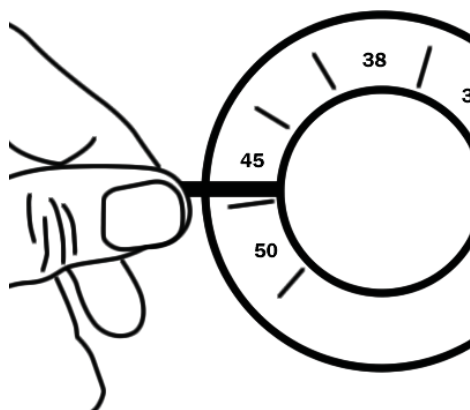
It is imperative that the water supply to your shower is between 1 and 3 bar as exceeding this may damage the Thermostatic Cartridge.



From inside the shower, on the lower of the three dials, remove the chrome coloured plastic cap that is fitted on the opposite side to the chrome lug.

The chrome cap will just pull off.

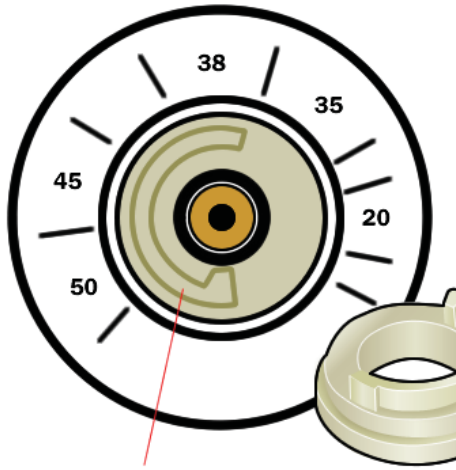
Keep the cap safe.



Using a 2.5mm Alan key, insert this into the hole where the chrome cap was fitted and loosen the grub screw about 1 turn to loosen.

**DO NOT UNSCREW FULLY.**

Now remove the chrome dial.

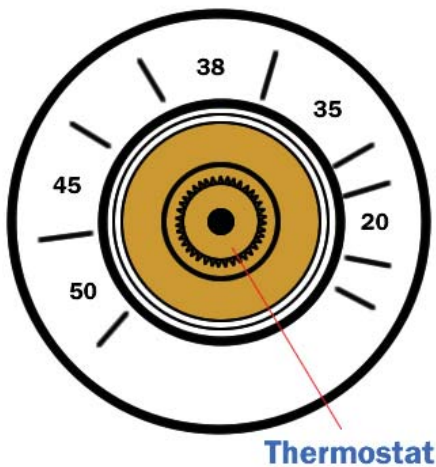


With the Chrome dial removed you will see a plastic ring covering with the Thermostat underneath.

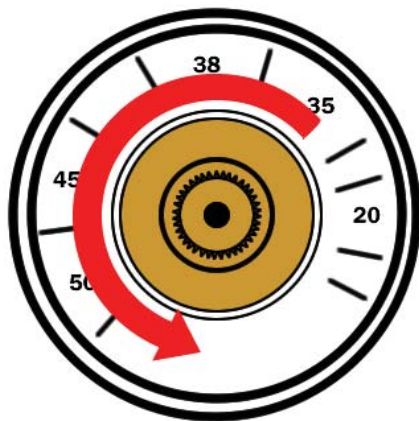
Note down the position the ring is placed in.

Pull the plastic ring (Temperature safety lock) towards you to remove.

Keep this part safe



You will now see the head of the Thermostat clearly visible.



Turn the head of the Thermostat counter-clockwise to remove.

To fit your new Thermostat, simple reverse this process.

YOU MUST ONLY USE THE CORRECT TYPE OF THERMOSTATIC CARTRIDGE WHEN REPLACING

**If your shower is under Guarantee and you have your suppliers name and order number, then a replacement can be ordered by contacting us on 01422 410769**

If your product is out of Guarantee, then please call **01422 410769** or **01422 356863** to order your part.



**FOR TECHNICAL  
ASSISTANCE**

**PLEASE CALL**

**01422 410769**