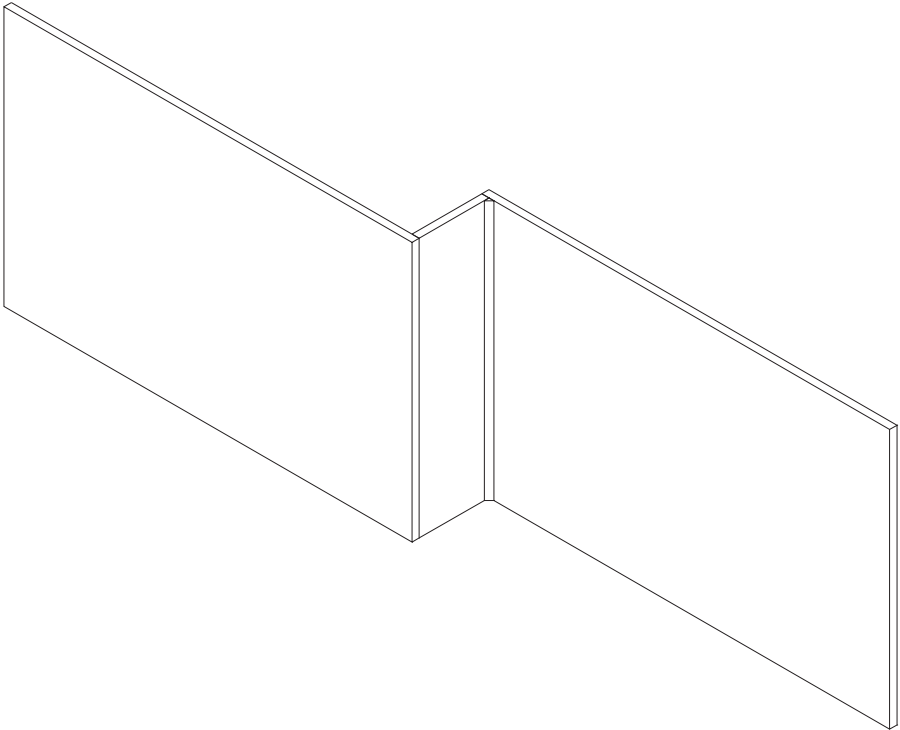




L-Shaped Front Bath Panel



Fitting Instructions

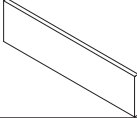
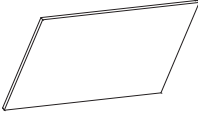
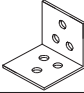

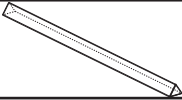

Please follow them carefully and
leave this manual with end user

Before you begin:

1. **We recommend that this product is installed by a qualified tradesperson.** Victorian Plumbing Ltd. accept no liability for products incorrectly installed or any damage to the floor, walls, plumbing, panels, bath, or personal injury during installation.
2. Observe all local plumbing and building codes & regulations.
3. **It is recommended to build a frame or battens along the floor, set these the required distance so the panel sits flush and level.**
4. Ensure the incoming mains water supply is switched off prior to commencing the installation.
5. For the following instruction, its assumed that the bath is pre-installed and working correctly.
6. Unpack the product then read these instructions before proceeding. Inspect the product for damage. If any damage is found, contact our Customer Relations team.

Items Included:

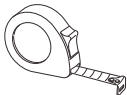
Note: End bath panel and fixings are not included with this product.

No.	Description	Picture	Qty
A	Short Panel		1
B	Long Panel		2
C	L-Shaped Bracket		4
D	Short Screw		24
E	Panel Strip		1
F	Long Screw		6

Tools Required (Not Included):



Pencil



Tape Measure



Power Drill



Spirit Level



Silicone Sealant



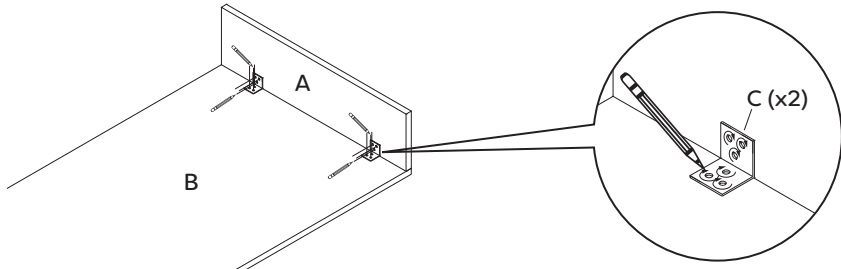
Damp Cloth

Installation:

Diagrams are for illustration purposes only. Your bath panel may superficially differ from this drawing however the installation guide steps still apply.

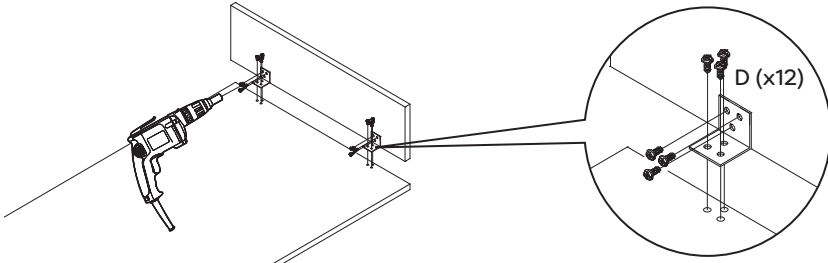
Step 1:

Hold the short (**A**) and long (**B**) panels together (making sure the short panel sits on top of the long panel). Place and mark the L-shaped brackets (**C**) onto the panels prior to securing the panels (**A + B**) together.



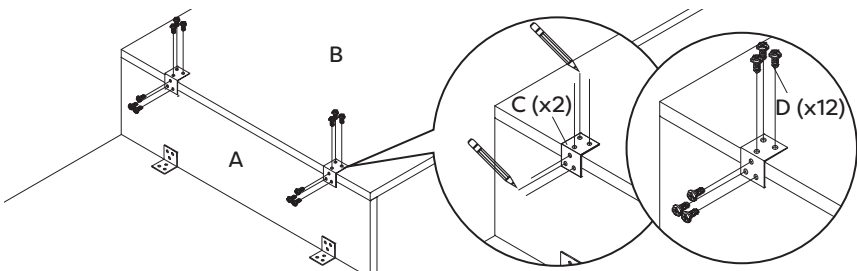
Step 2:

Secure the brackets in place, using the screws provided (**D**) through the L-shaped bracket holes and into the pre-marked holes. Using a spirit level, ensure the panels are level both vertically and horizontally.



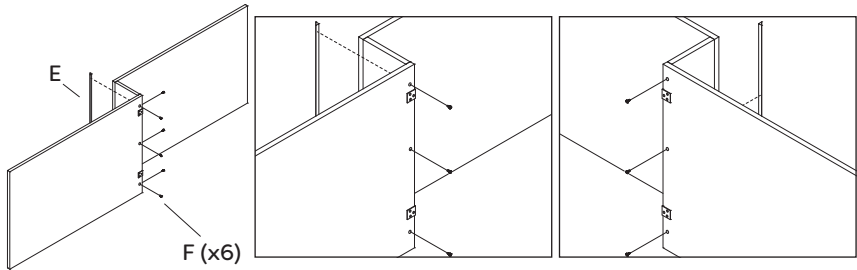
Step 3:

Repeat this process for the other panel (making sure the long panel sits on top of the short panel). Screw the L-Shaped brackets on the outside corner, ensuring the panels are level.



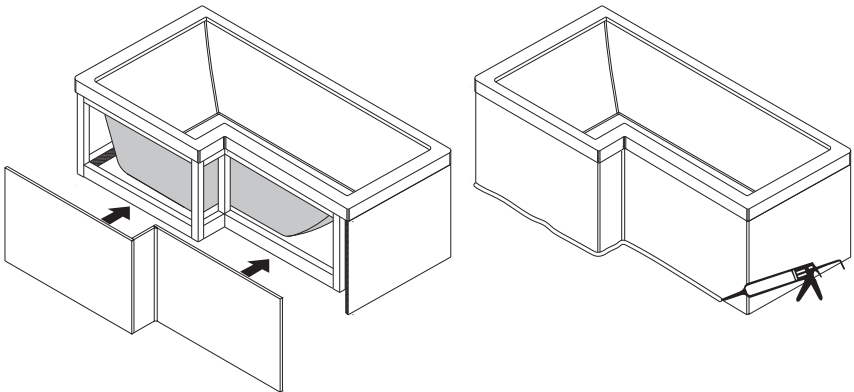
Step 4:

Place the panel strip (E) within the inner corner (front facing) of the panel. Mark the positions at the back of the panel and using the long screws (F), secure the panel strip into place.



Step 5:

Secure the panel to the timber frame or batten by either using good quality sealant or traditional screw method. Apply a bead of good quality silicone sealant across the bottom of the panel to prevent water ingress.



Step 6:

Wipe away excess silicone with a damp cloth and allow 24 hours for the sealant to fully dry.



Cleaning and Maintenance:

We recommend that you regularly clean your panel with a mild dish detergent. After each use, wipe the panel dry with a soft cloth. Refrain from using acidic household cleaners, wipes with harsh chemicals, or abrasives, as these will damage the panel.

Recycling and Disposal:

Please recycle the packaging in accordance with your local government regulations on waste handling and follow the same advice at the end of the products life.