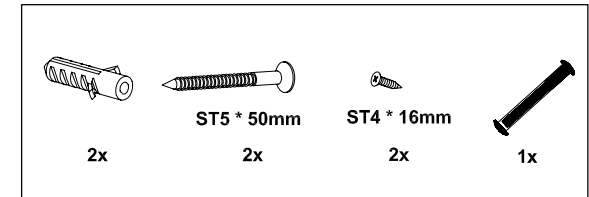


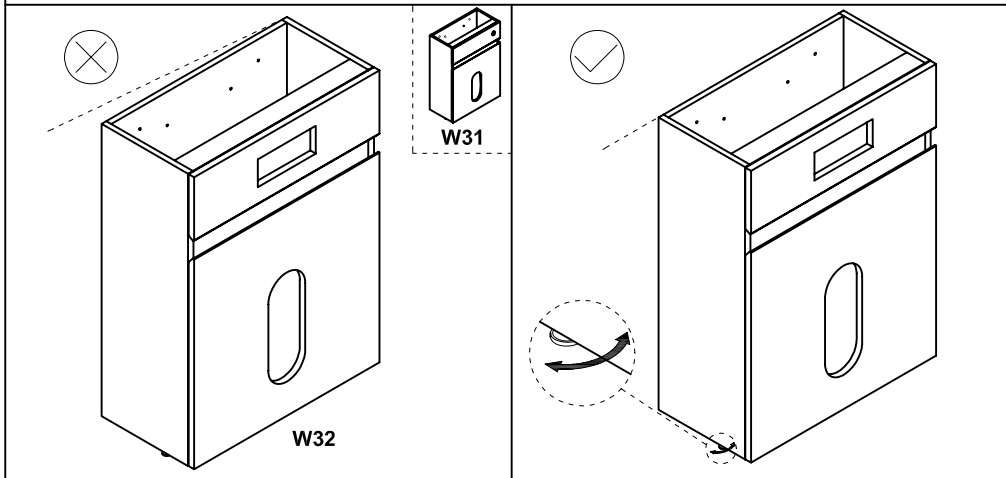
IMPORTANT: This unit must be securely fixed to a wall. Ensure that the top is horizontal before marking the wall for fixing. The wall fixings supplied may not be suitable for your installation. You may need to source alternatives depending on the material and strength of the wall you are fixing to.

Care and Maintenance: This is a wood product, and has a water resistant finish. It should not be left wet, and the quality of the finish is best maintained if it is wiped with a dry cloth after use. It should only be cleaned using a soft damp cloth followed by a dry cloth. Do not use bleach or any abrasive cleaner. **To service the cistern tank, please take off the front panel first.**

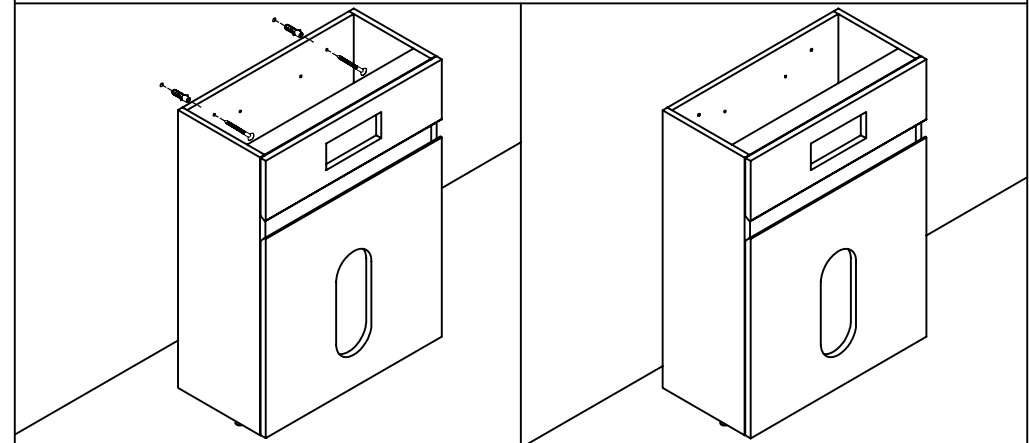
Parts Supplied:



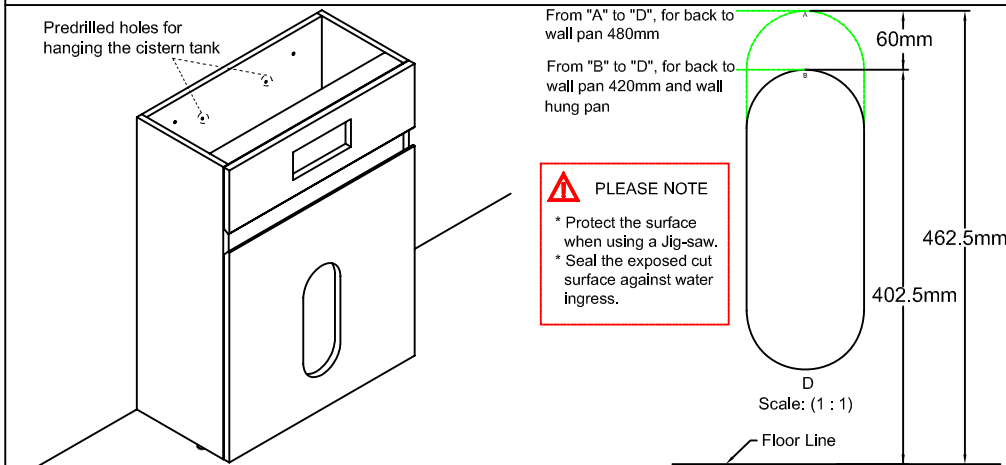
- Place the WC unit in final position, and check for level. If not, please adjust the 2 feet at the bottom of the WC unit.



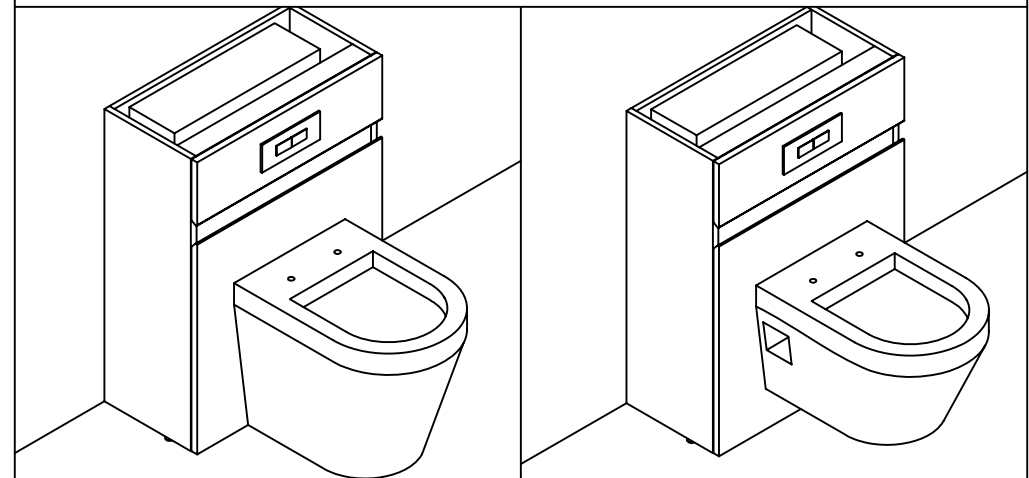
- Fit the WC unit onto the wall.
 Note: If you would like to install wall hung pan, please set wall hung frame properly before you fix the WC unit to the wall. Regarding the installation of wall hung frame, please refer to the instruction of the frame.

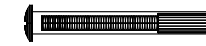
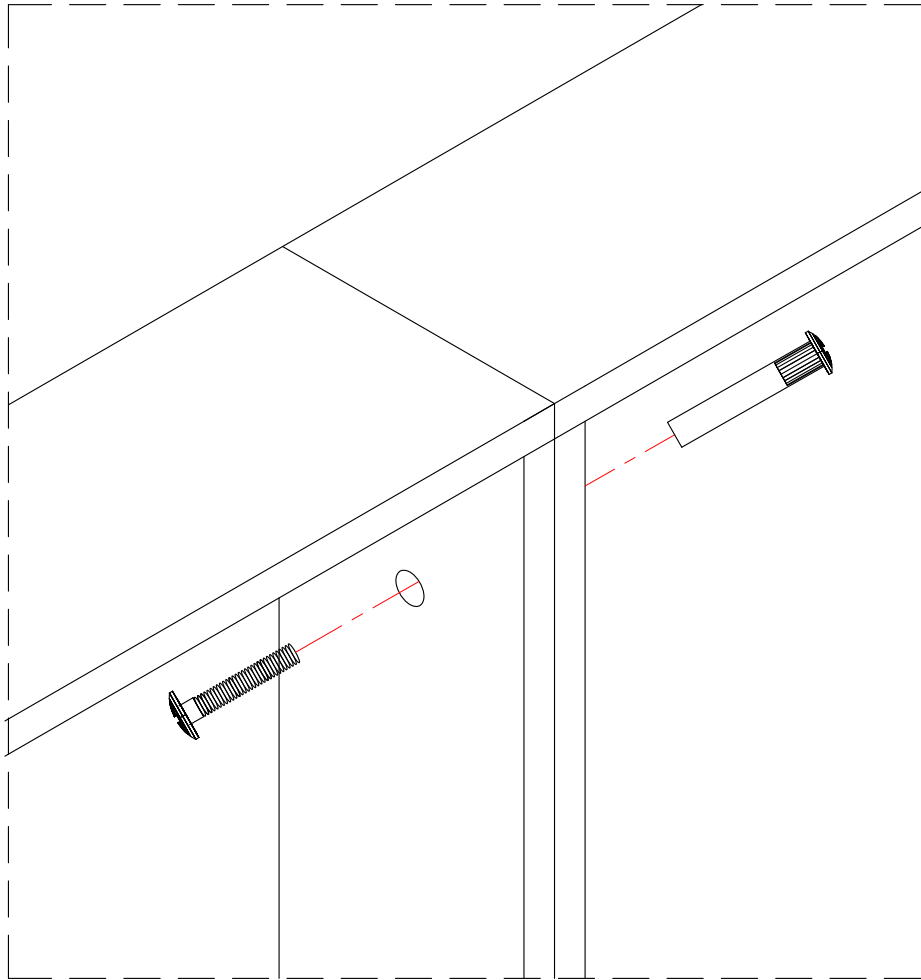


- Hang the cistern tank onto the back board. For the detailed cistern tank installation, please refer to the instruction of the cistern tank.
- The cutout on the WC unit is for 420 pan. If a 480 pan used, then follow the diagram on the right to enlarge the cutout.



- Fit the pan onto the WC unit.





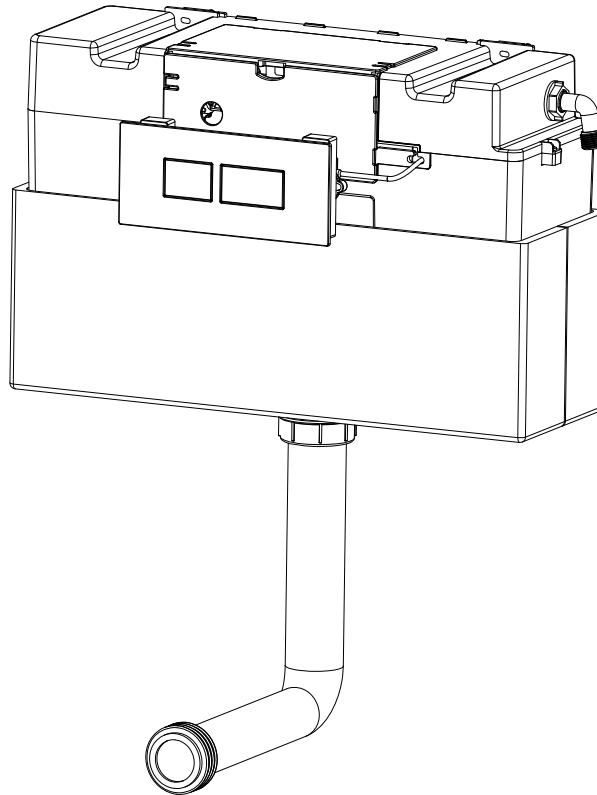
Joining bolt

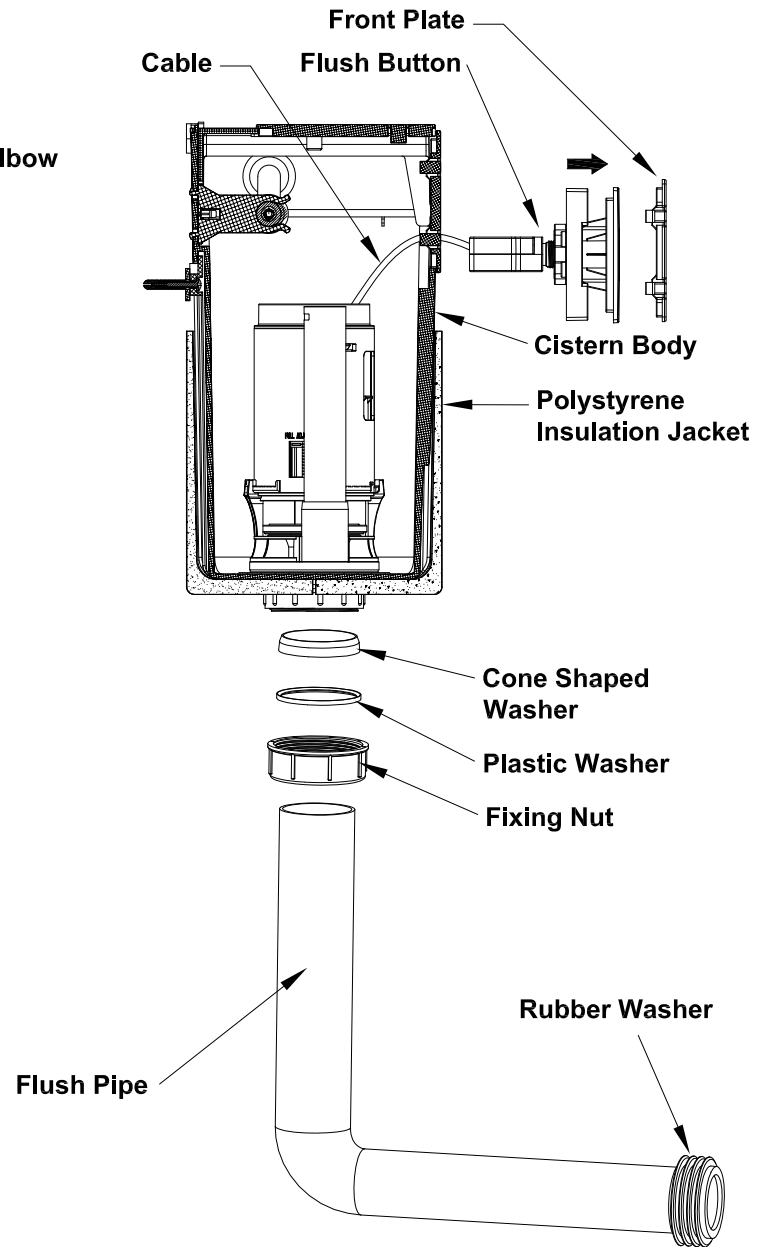
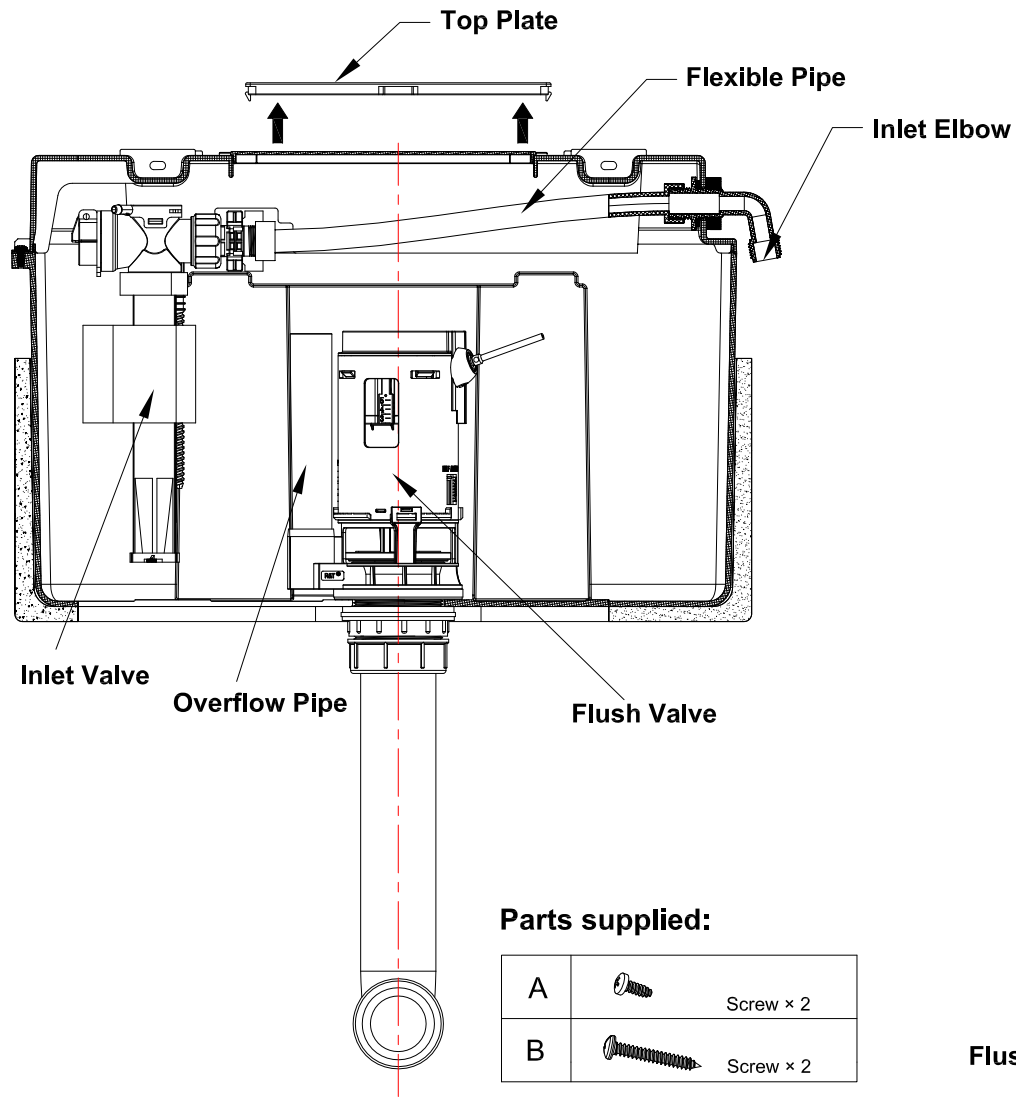
Once the units have been installed and are level and before fully tightening the wall fixings, they should be joined together using the joining bolts to give extra strength.

Note: Before drilling the units ensure that you avoid any runners, hinges, shelves or pipe work.

Carefully drill small pilot holes (Ø3mm) through the sides of both units. Drill full size holes (Ø6mm), part way through one side then finish off by drilling through from the other side; this will avoid splintering the wood veneer. Once joined together, fully tighten the wall fixings.

Installation Instructions for Cistern Tank, Top/Front Access With Rectangular Dual Flush Plate

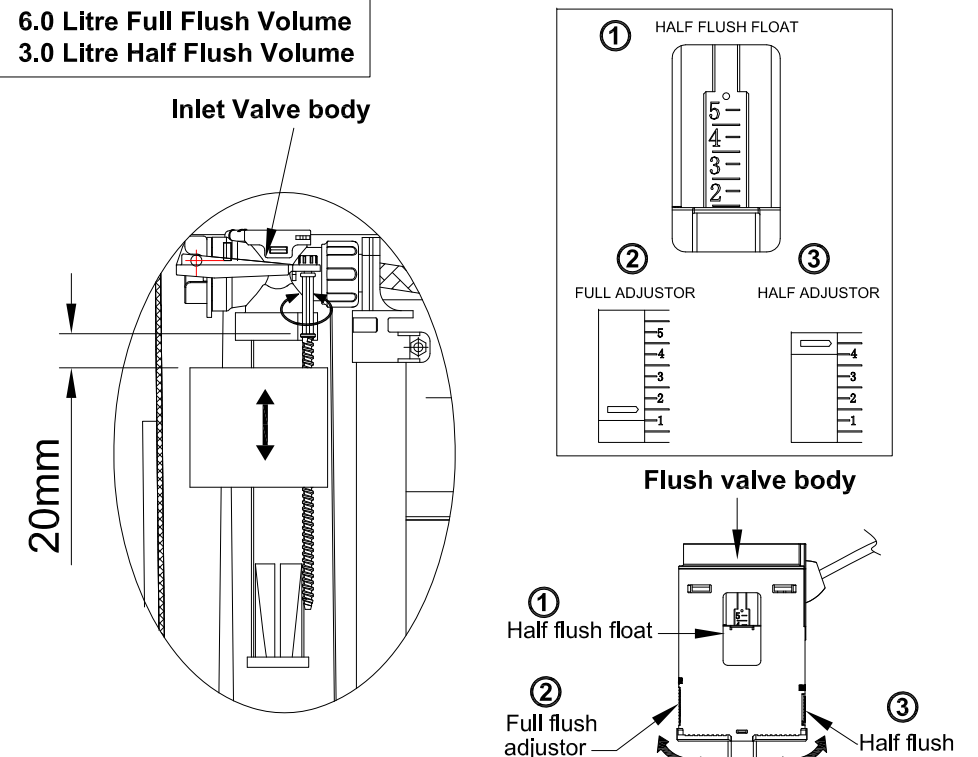




Inlet Valve & Flush Valve Scale Setting

The Inlet Valve & Flush Valve are preset to perform the 6.0L of Full Flush volume and the 3.0L of Half Flush volume.
If the preset scale setting need to be adjusted, please follow the diagram below.

**6.0 Litre Full Flush Volume
3.0 Litre Half Flush Volume**

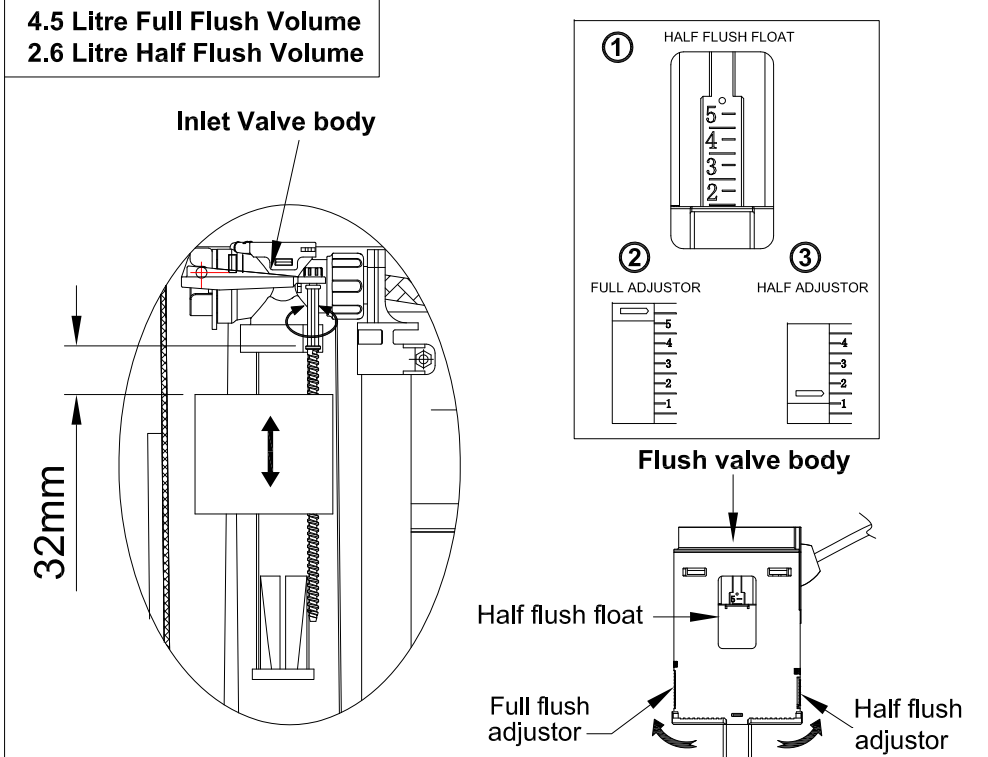


1 Adjust half flush float:
The half float is set at 2, to reach flushing volume of 3.0 litres.
(in this case, the half flush adjuster should be set at 3 as well.)

2 Adjust full flush adjuster:
The full flush adjuster is set at 2, to reach flushing volume of 6.0 litres.

3 Adjust half flush adjuster:
The half flush adjuster set at 5, to reach flushing volume of 3.0 litres.

**4.5 Litre Full Flush Volume
2.6 Litre Half Flush Volume**

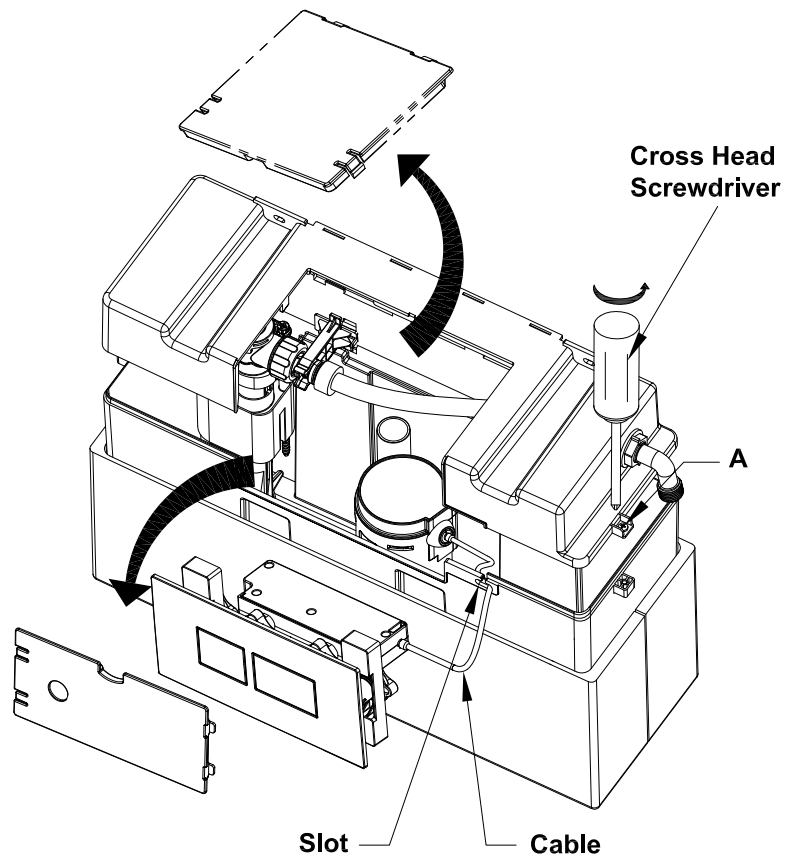


1 Adjust half flush float:
The half float is set at 2, to reach flushing volume of 2.6 litres.
(in this case, the half flush adjuster should be set at "Full Open" as well.)

2 Adjust full flush adjuster:
The full flush adjuster is set at "Full Open", to reach flushing volume of 4.5 litres.

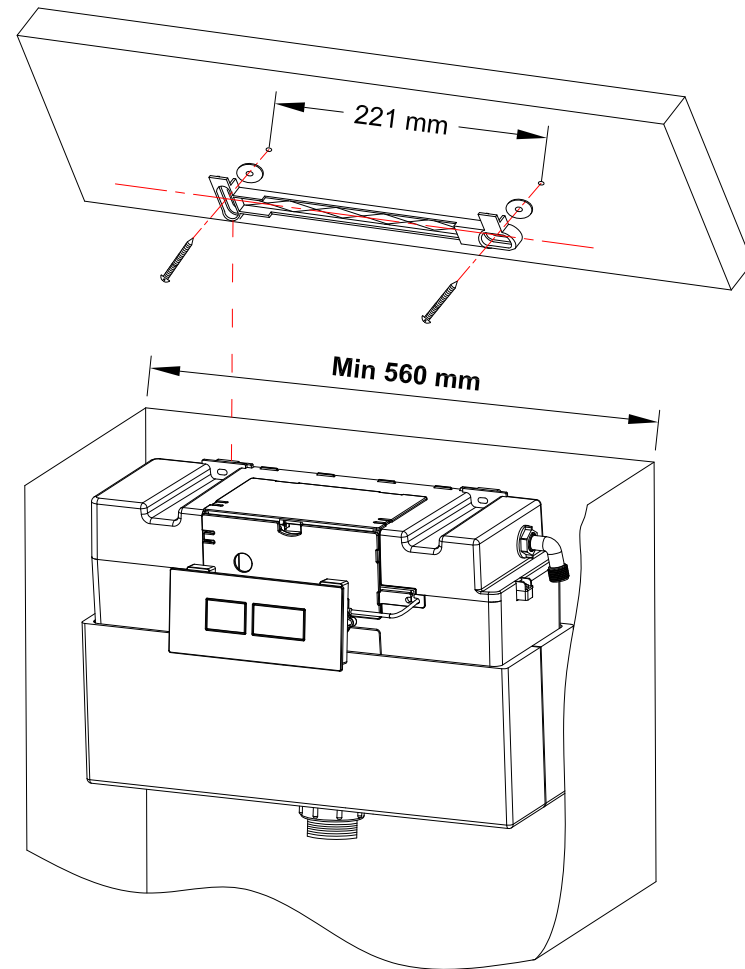
3 Adjust half flush adjuster:
The half flush adjuster set at 2, to reach flushing volume of 2.6 litres.

For the further information, please go to the Inlet Valve & Flush Valve Problem Solving pages (7 & 8).



Note: Make sure the cable is not distorted or kinked.

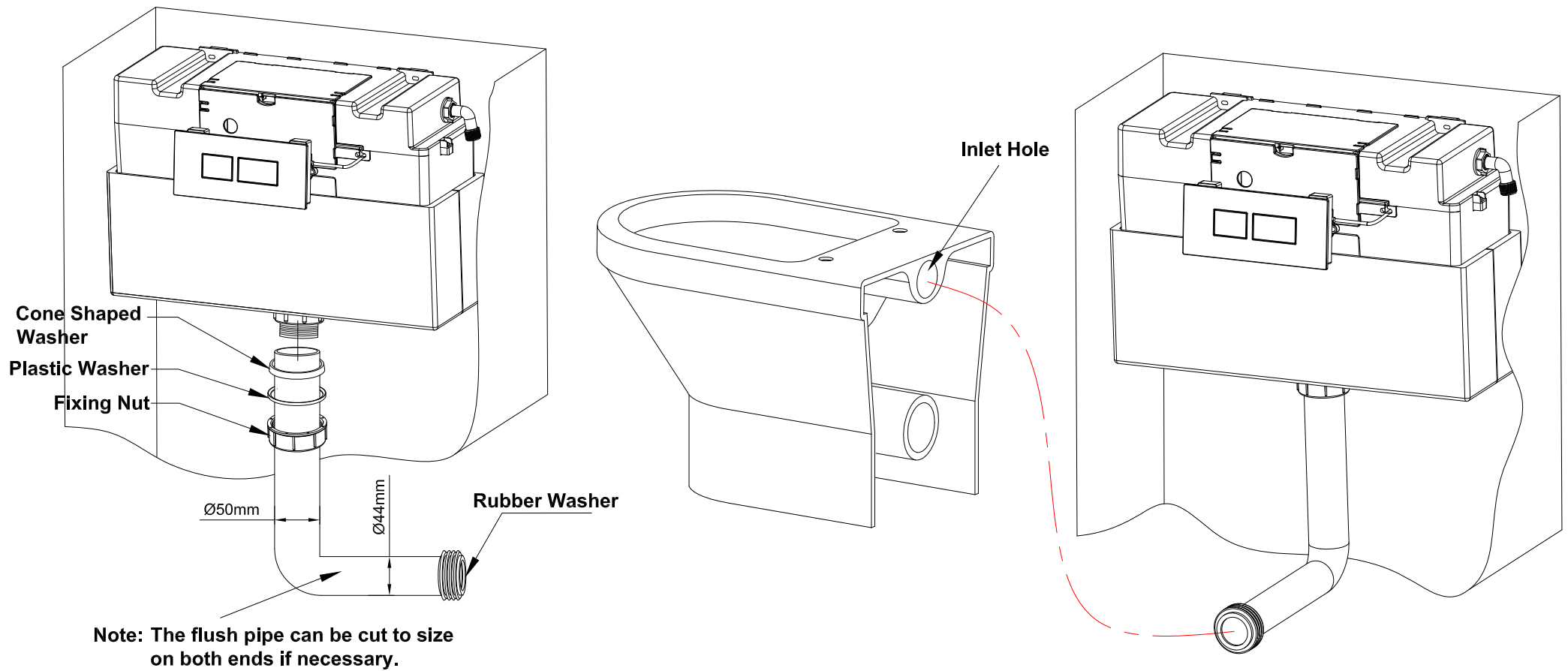
1. Fix the top part of cistern to the bottom part by using the two screws supplied.



2. Note the minimum width required for this cistern is 560mm.

Fix the hanging bracket using the washers and the two screws provided to the pre-drilled holes on the WC unit.

Clip the cistern to the hanging bracket.



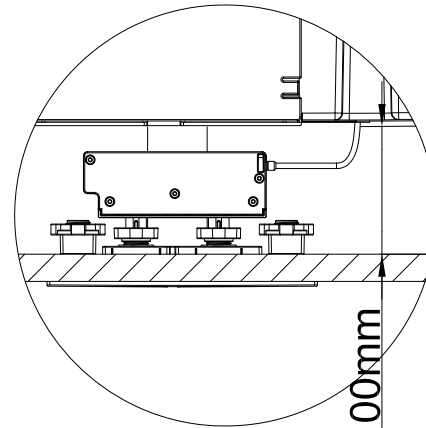
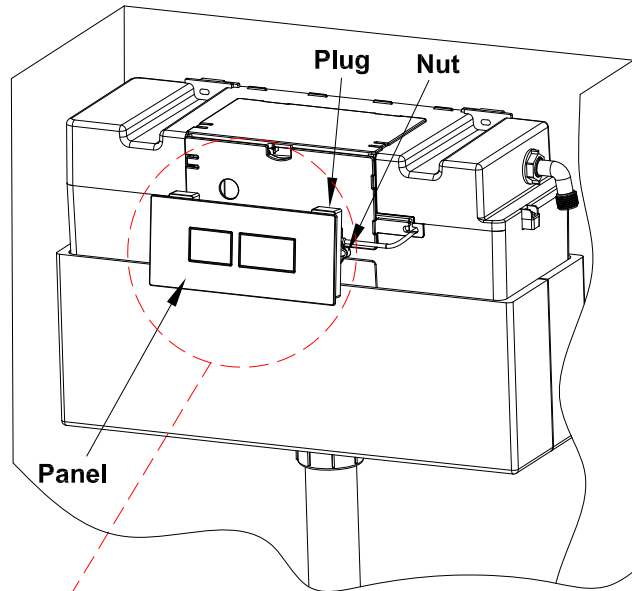
3. Place the fixing nut, plastic washer and cone shaped washer onto the end of the flush pipe with diameter 50mm.

Insert the end into the base of the flush valve.

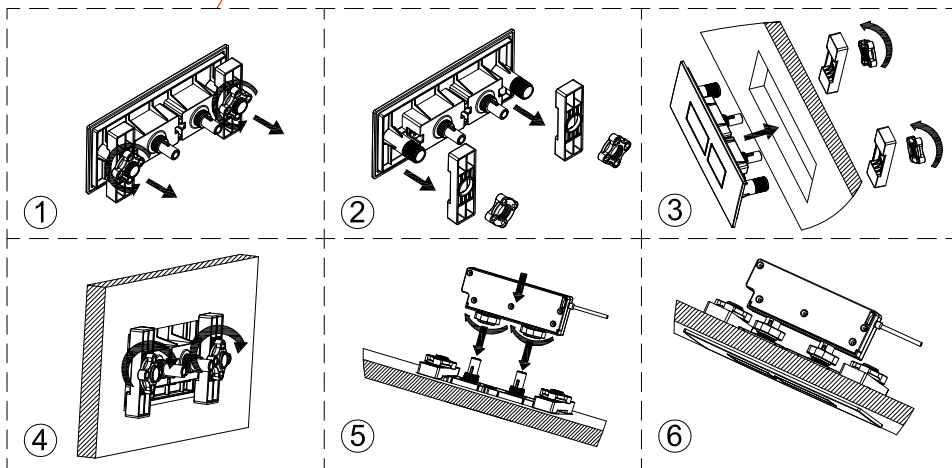
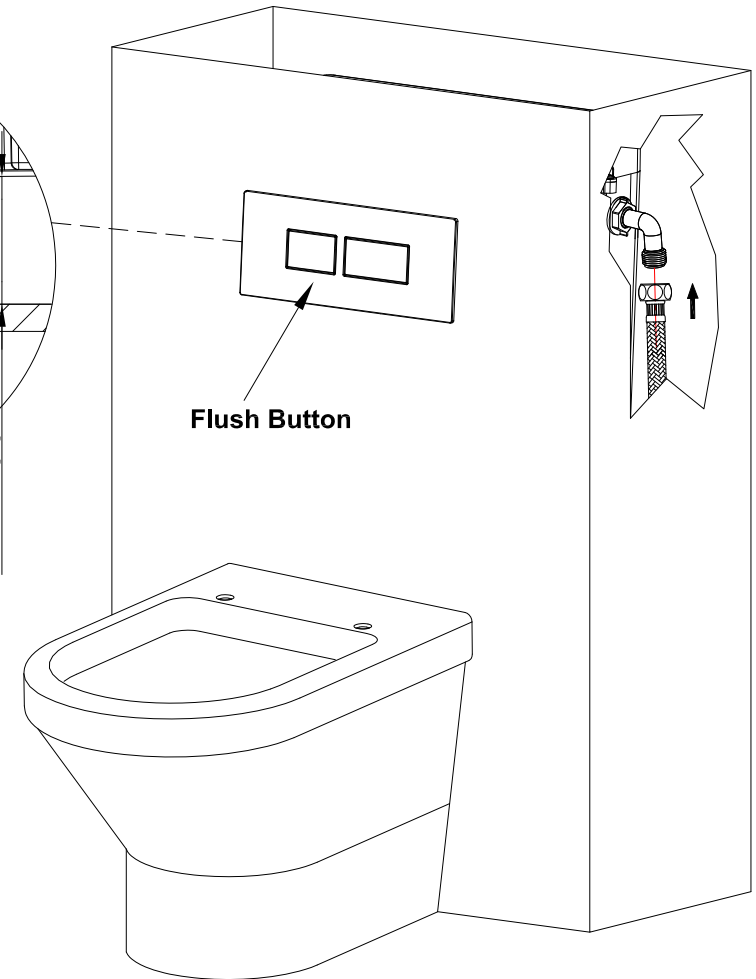
Slide the conical washer and plastic washer up to the outlet and then hand tighten the fixing nut.

Place the rubber washer onto other end of the flush pipe.

4. Insert the Ø44 end of the flush pipe into the pan inlet, ensuring a good seal with the rubber washer.



Min 100mm



5. Remove the flush button by pressing down on the spring clip. Unscrew the fixing nut and insert the flush button through the cabinet hole. Tighten the flush button with the fixing nut clamping the cabinet between button and nut. From inside press down on the spring clip and insert the box onto the flush button. Make sure that the spring clip is engaged. If not press again.

NOTE:

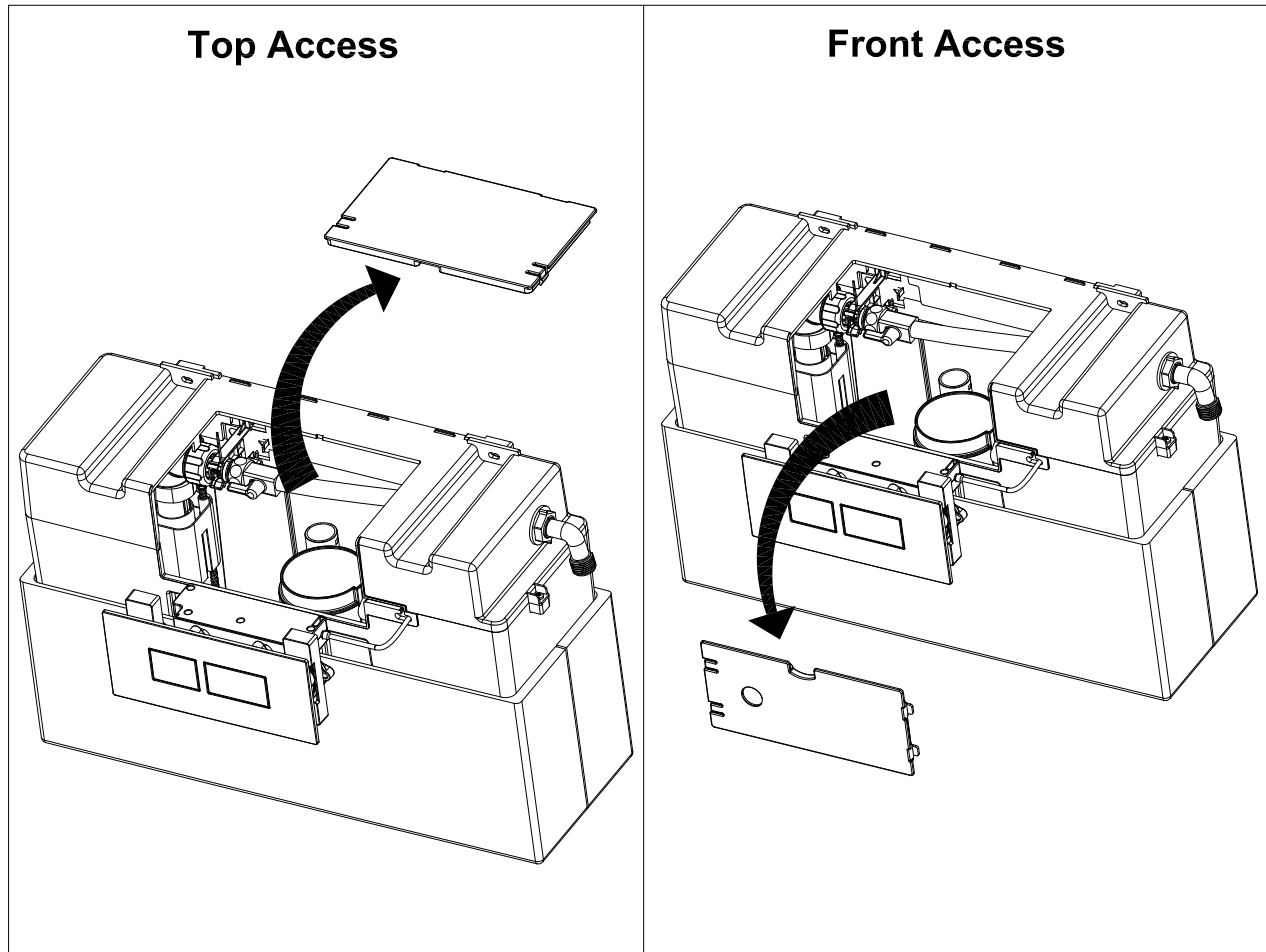
Connect the water supply to the inlet elbow.

After installation check that the full flush and half flush are working correctly.

Please consult the trouble shooting guide on page 7 if there are any problems.

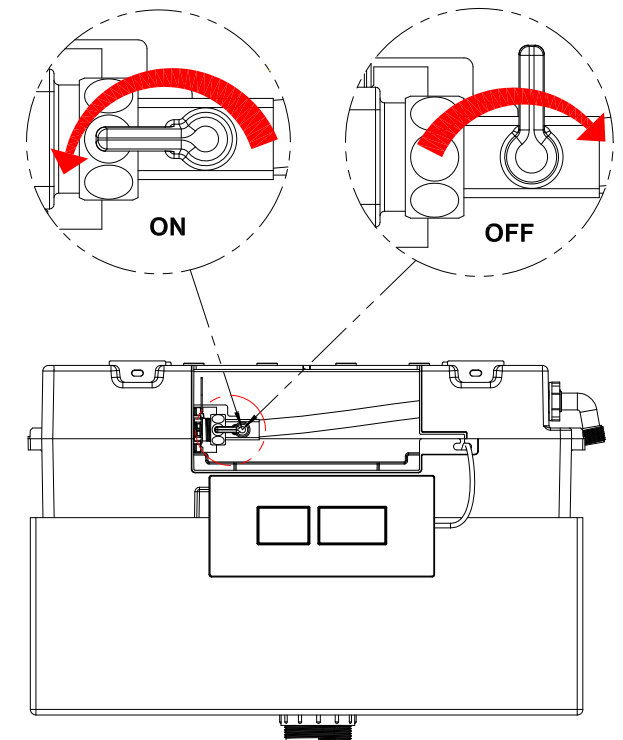
Access And Maintenance

I. Top & Front Access Concealed Cistern has access for maintenance from either the top or the front.



II. Please follow the procedures below in case you need to have access for maintenance.

Before maintenance, the water inlet can be shut by turning off the insulating valve.



Inlet Valve Installation And Problem Solving

I. Inlet Valve Installation

① Inlet Elbow

Flexible Pipe
Washer

Connect the inlet elbow with washer to the flexible pipe.

②

Install the inlet elbow into the tank top cover, Adjust the angle of the inlet elbow if needed.

③

Nut

Tighten the fixing nut to the inlet elbow.

⑥

Adjust the flexible pipe to make sure the insulating valve is facing the front of the tank.

Close the cistern top cover and connect the flexible pipe with inlet valve.

④

Inlet Valve Base
Cable Tie
Inlet Valve

Clamping the Inlet Valve onto the inlet valve base, and tighten it with cable tie.

⑤

Cistern Body

Clamp the Inlet Valve base to the cistern body.

⑦

Adjustment Rod
overflow Pipe
6L

Once the installation is complete, please ensure the nuts are firmly secured.

Connect the water supply to the inlet elbow and turn on the insulating valve.

Adjusting the rod:
A: By adjusting clockwise the water level rises and the flush volume increases.
B: By adjusting anti-clockwise the water level falls and the flush volume decreases.

Additional Information for filter cleaning (Please clean periodically)

Inlet Joint

Nut

Turn off the water supply, screw off the flexible pipe. Loose the nut to take off the inlet joint from the inlet valve.

Filter

Filter

Pull out the filter from the Inlet. Clean by rinsing the filter.

Inlet Joint

Nut

Reinstall the filter, the inlet joint and flexible pipe and then complete the inlet valve installation.

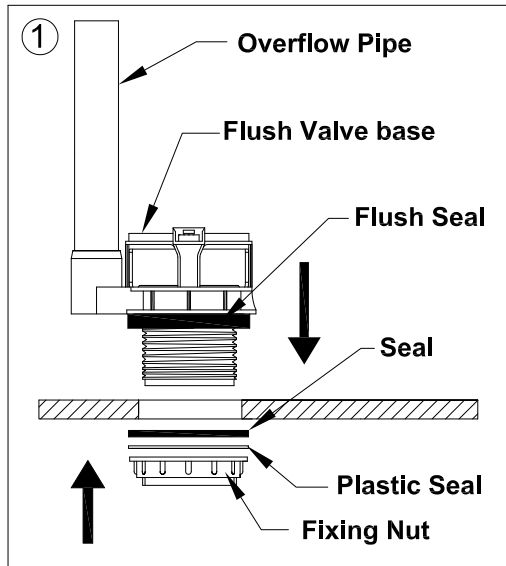
Note: 1. Ensure that the float operates freely after installation.
2. Flush the water to remove debris and impurities before connecting to the cistern.

II. Inlet Valve trouble shooting

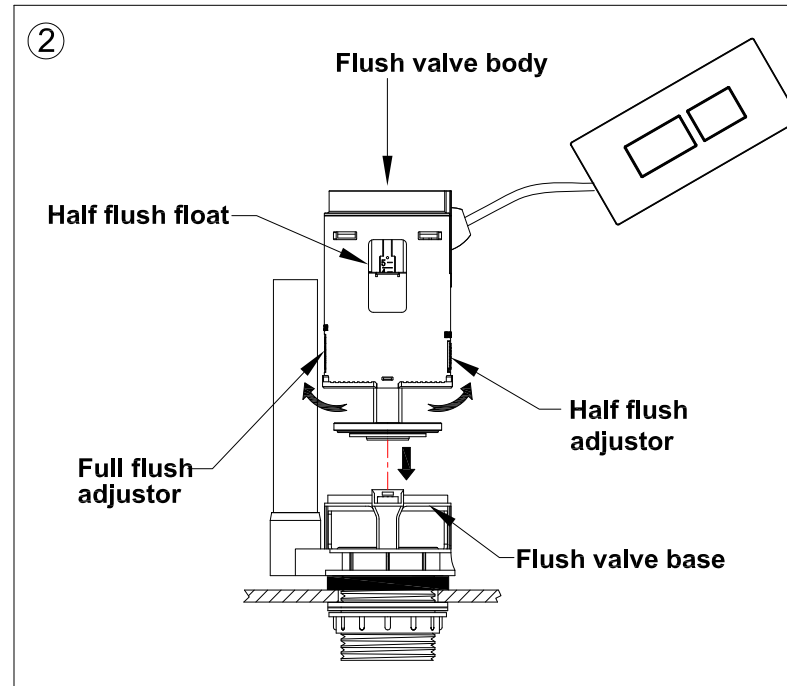
Problem	Reason	Solution
Incorrect water level	Incorrect adjustment.	Readjust the water level correctly.
Inlet Valve does not work	The switch of the inlet valve is off.	Turn on the insulation valve.
	The filter is blocked.	Clean the filter located between the flexible pipe and the inlet valve.
	The Float cup can not move freely.	Reposition the inlet valve.
Leakage	The Inlet Valve fixing nut is loose.	Tighten the nut.

Flush Valve Installation And Trouble Shooting

I. Flush Valve Installation



Insert flush valve base and flush seal through the tank flush hole. Tighten with the fixing nut, clamping the seals in place.



Insert flush valve body into the flush valve base, rotating it until it fixes onto the clip.

1. Adjust half flush float:

- ① Move float up, flush volume decreases.
- ② Move float down, flush volume increases.

2. Adjust full flush adjuster:

- ① Move adjustor up, flush volume decreases.
- ② Move adjustor down, flush volume increases.

3. Adjust half flush adjustor:

- ① Move adjustor up, flush volume decreases.
- ② Move adjustor down, flush volume increases.

* Half flush float is for major adjustment of flush volume.
The half flush adjustor is for minor adjustment of flush volume.

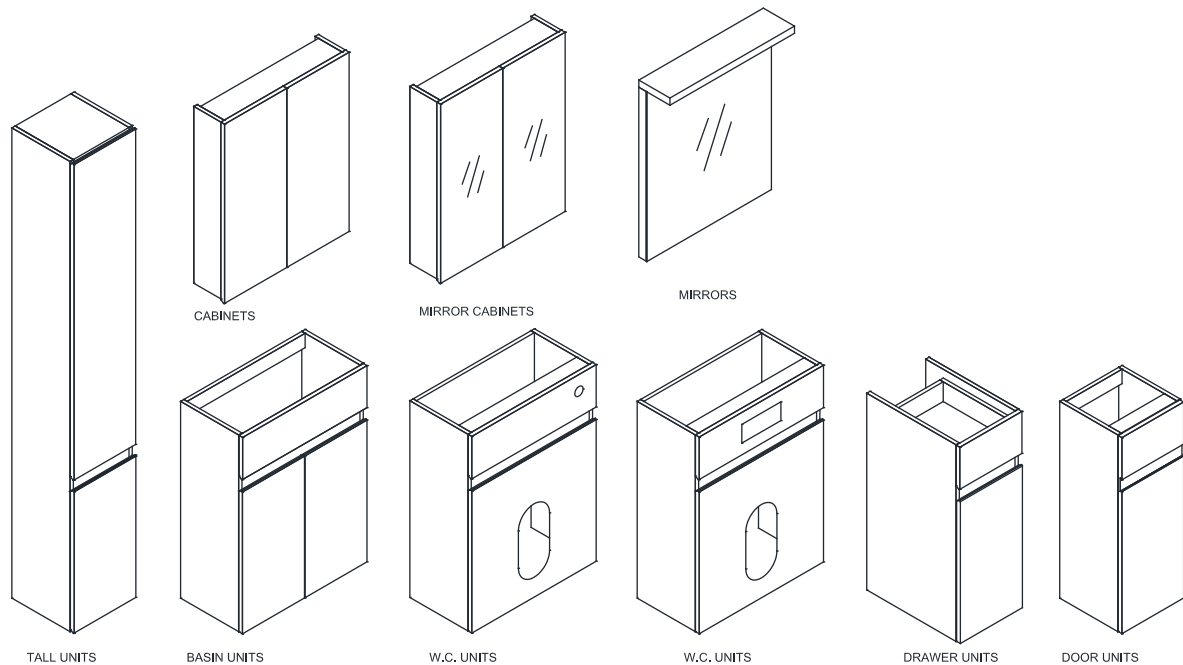
II. Flush Valve Problem Solution

Problem	Reason	Solution
Leakage	1. Incorrect installation. 2. Flush valve base not correctly fitted to flush valve body. 3. Flush valve body is stuck.	1. Install again according to the correct installation procedure. 2. Remove and wash flush valve body.
Can't flush, low flush or half flush volume	Cable is distorted.	1. Unkink the cable. 2. Adjust flush valve body.
Half flush water level is too high or too low.	Water level is adjusted incorrectly.	Adjust water level.

Note:

- 1. Please read these instructions carefully to avoid damage to the cistern, and to ensure correct installation.
- 2. Do not use bleach or bleach based cleaning products in the cistern. These will cause damage to the seals. We cannot be held responsible or liable for any failure which results from the use of bleach based products.
- 3. Water temperature range +2C to +45C.
- 4. Water pressure 0.2 to 8 bar.

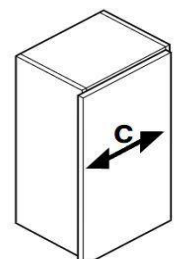
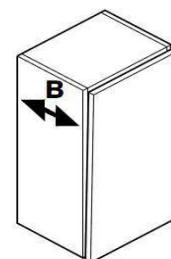
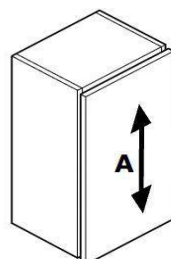
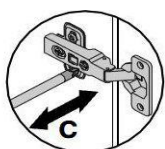
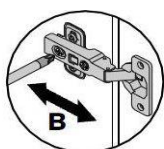
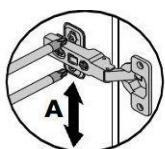
All raw and / or cut edges MUST be sealed against water ingress. The includes all edges of the cabinet units and the work tops. Failure to do so will lead to water damage and invalidate the warranties and guarantees.



IMPORTANT INSTRUCTIONS - READ BEFORE STARTING INSTALLATION WORK

1. Check the furniture for defects prior to installation. No claim for defects will be accepted after installation if these would have been apparent from a pre-installation inspection. Please do NOT install as returns will not be accepted once fitted.
2. We advise that you use a qualified person to install your units, as any issues relating to poor fitting will not be accepted by the supplier.
3. You have purchased a handmade and in some cases hand painted product. Therefore, you may see some slight imperfections which the supplier may deem as acceptable.
4. All raw and / or cut edges MUST be sealed against water ingress. The includes all edges of the cabinet units and the work tops. Failure to do so will lead to water damage and invalidate the warranties and guarantees.
5. Exposure to direct sunlight will cause discolouration of the product, especially any painted surfaces or wood veneers.
6. Due to motion during transportation, any pre- assembled furniture may require the cabinet doors and drawers to be adjusted after installation.
7. All furniture (including free standing furniture) must be securely fixed to the wall using suitable fixings. There are many different types of wall materials, so screws for anchoring the washstand to the wall are not included.
8. Basins must be secured to either the wall using basin mounting bolts where appropriate, or to the vanity unit silicone based adhesive. The basin (not supplied) Note that not all basins have this facility.
9. Wall hung units must be secured back to the wall using wall hanging brackets supplied. There are many different types of wall materials, so screws for anchoring the washstand to the wall are not included . It is the installers responsibility to ensure the unit is safely secured in such a way that it cannot be pulled or levered off the wall. If fixing to a stud or panelled wall, a suitable frame work must be installed which can adequately support the unit when in use.
10. The hinge on the Laundry Basket can be adjusted by slackening the screw on the side of the sliding bar.
11. When fixing to a stud or panelled wall, appropriate frame work should be installed to support the basins and units.
12. Where units or worktops have to be cut-out for services, all raw edges MUST be sealed against water ingress.

Hinge Adjustment



A- Vertical
Loosen screw 'A' on all hinges. Adjust door and retighten screw.

B- Lateral
Loosen screw 'B'. Adjust door and retighten screw.

C- Horizontal
Loosen screw 'B' ½ turn. Turn screw 'C' until door is positioned correctly and retighten screw 'B'.

Bathroom Furniture Cleaning and Maintenance Guide

Please follow this simple guide to protect your bathroom furniture from damage.

Melamine, Vinyl and Foil Wrapped Doors

Cleaning should be done with a soft damp cloth. Never use direct water contact on any of the carcass material of your unit as this will damage your furniture. Please dry the unit with a soft cloth after cleaning. Never use any abrasive cleaner, or a solvent based cleaner on your furniture. These will damage the finish of the surface leaving it discoloured and / or scratched.

High Gloss Doors

Use a cleaning product not containing aggressive substances like acetone, alcohol, bleach ... as those components could seriously damage the surface of the door. The best would be to use a soft cotton or micro fibre cloth with only water and soft soap (containing a maximum 1% of liquid soap)

Marks and Stains

Only use a damp cloth with mild soap to clean the surface. Never use bleaches, acetone, alcohol, aggressive surface cleaners or any abrasive cleaners.

Hinges and drawer runners

These will need adjusting from time to time. Please see the enclosed instructions.

Never use de-greasing agents for cleaning the hinges or runners - this will affect the action of the moving parts. Hinges and drawers are designed not to be weight bearing - never lean or place excessive weight on the doors or drawers. Doing so will invalidate the warranties and guarantees.

Work Tops

The work tops are designed for normal bathroom - however, they will be liable to stain if exposed to dyes, acetone or bleach. Hard objects or impacts will scratch the surface. Any spillage of make up, nail varnish or any other corrosive liquid should immediately be wiped off with a damp soft cloth.

Humidity

Please ensure the bathroom has adequate ventilation - excessive humidity and / or temperature will damage the product. This product is not suitable for a WET ROOM, or any other similar damp environment.

WATER DAMAGE

This product will be damaged by prolonged or excessive exposure to water / moisture. The product should be installed in a position which will protect it from any splashes or spillages. Additionally, water should not be allowed to stand or pool on any surface - these should be wiped dry as soon as possible. Failure to do so will damage the product and invalidate the warranties and guarantees.

Regulations

If it is your intention to remove and replace your bathroom fittings with "like for like" units, then this is classed as "non regulated" and no building regulations would be required. However, building regulation approval may be required if the bathroom refurbishment involves altering the drainage or the internal layout within the dwelling to accommodate the new fitting such as a second bathroom. In this instance, we would advise you to contact the Building Control Department at your local authority to discuss the need for a formal building regulation application.

Macerator - Current building regulations specify that a sanipump smallbore system can be fitted in a dwelling where there is also a normal gravity discharge W.C. It should not be the only W.C. facility.

Electrical - Remember that double pole isolating switches are required for all electrical points apart from special razor sockets. All work must conform to BS7671: 2008 the current I.E.E. Regulations.

None of the above in any way effect your statutory warranties and guarantees.