

Top Fixing Toilet Seat Installation Instructions

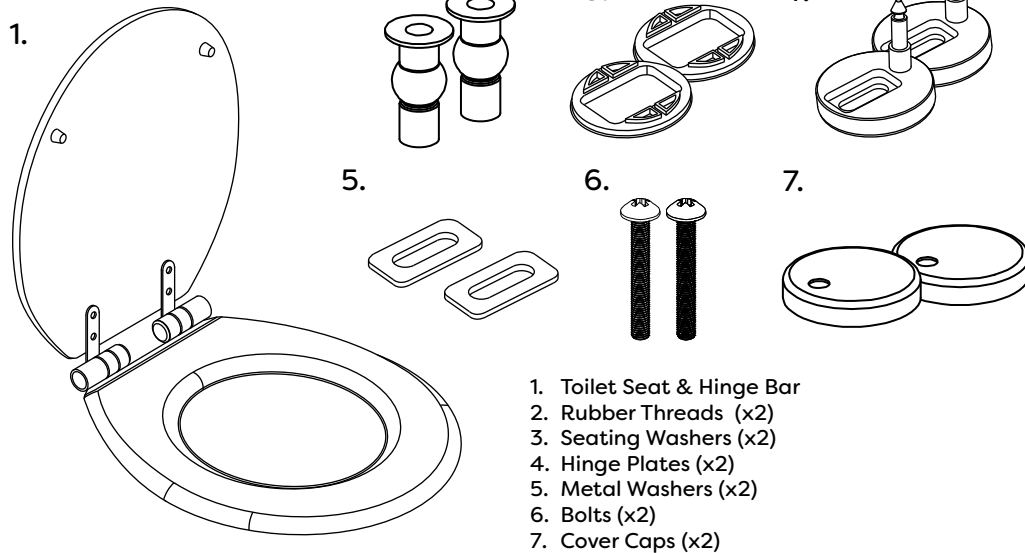
Before you Begin:

- This instruction shows how to fit the toilet seat. Ensure the toilet seat is the correct size in conjunction with your toilet pan.
- Unpack the product then read these instructions before proceeding. Inspect the product for damage. If any damage is found, contact our Customer Relations team.

①

Make sure that all components are present prior to installation.

Fitting List:



Tools Required (Not Included):



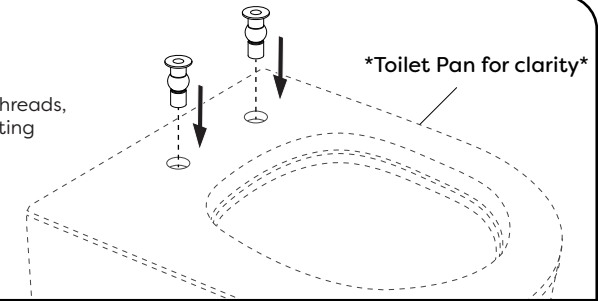
Note: Diagrams are for illustration purposes only. Your toilet seat may superficially differ from this drawing however the installation guide steps still apply.

Cleaning and Aftercare:

- **Warning:** Do not use abrasives, scourers, bleach or any type of chemical cleaning solution containing bleach when cleaning the toilet seat. It is recommended to use warm soapy water and a clean damp cloth.
- If you use bleaches and strong cleaning solution in the pan. **DO NOT** leave the seat closed as the fumes from the bleachers and cleaners may damage the finish on the seat.
- **Tighten the bolts regularly:** Check the bolts that connect the seat to the toilet bowl every few months and tighten them if necessary.
- **Avoid Standing on the lid or toilet seat :** Standing on the seat can put unnecessary stress on the bolts and hinges and may damage the seat.

②

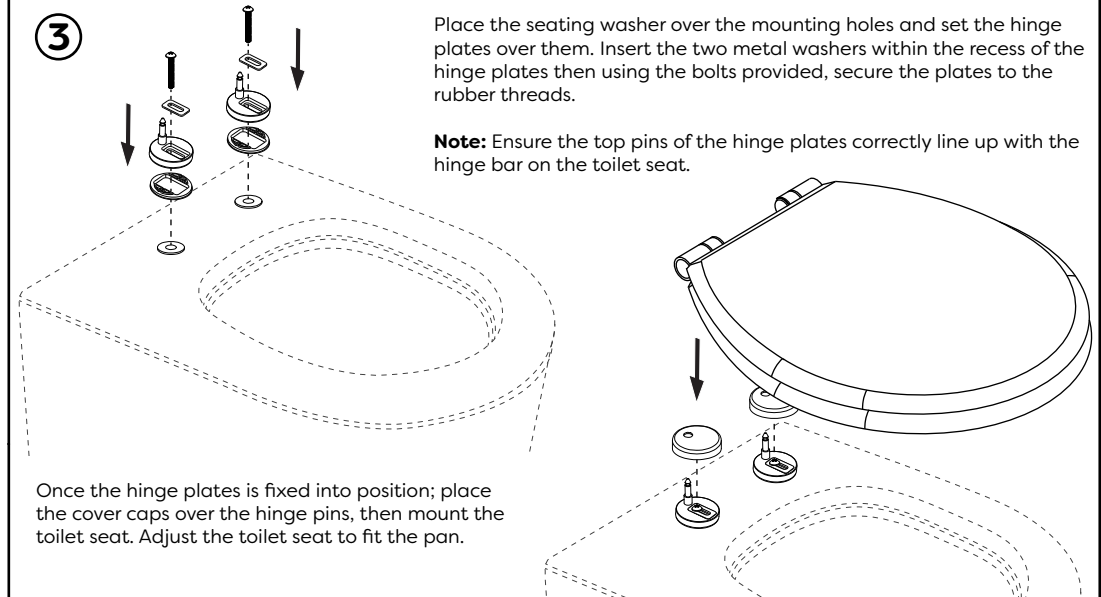
Apply a small amount of lubricant to the rubber threads, then insert the two rubber threads into the mounting holes in the toilet bowl.



③

Place the seating washer over the mounting holes and set the hinge plates over them. Insert the two metal washers within the recess of the hinge plates then using the bolts provided, secure the plates to the rubber threads.

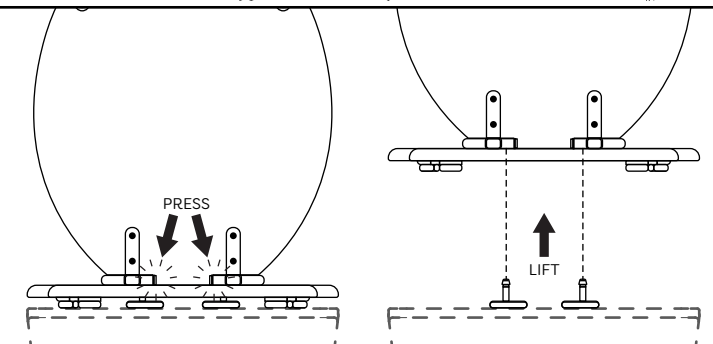
Note: Ensure the top pins of the hinge plates correctly line up with the hinge bar on the toilet seat.



④

Without moving the hinge pins, remove the toilet seat by pressing the buttons and lifting the seat off the hinges. Tighten the bolts fully to ensure a secure fit.

Remount the toilet seat to the hinge pins, ensuring the toilet seat fits the pan.



Recycling and Disposal:

- Please recycle the packaging in accordance with your local government regulations on waste handling and follow the same advice at the end of the products life.

For more information visit: www.victorianplumbing.co.uk