

ACT3011/ACT3028 – Dual Handle Mono

5 Year warranty:

In the unlikely event that you should experience any defect in the materials or workmanship of your new mixer within FIVE years of purchase, the purchaser's sole remedy shall be the replacement (at the manufacturer's discretion) of all or any part of the product that is defective. All working parts and valves are guaranteed for a period of FIVE years from purchase. Decorative surface finishes and O-rings are guaranteed for ONE year from the date of purchase provided that our advice concerning care has been observed. This is provided that the mixer has been used for normal domestic purposes in the UK & Ireland and that the care, installation and maintenance instructions have been observed. The warranty extends to the original purchaser only. The Manufacturer shall not be liable for either servicing of the product or incidental loss due to the product. You should retain a copy of your dated invoice as proof of purchase to validate any claims under this guarantee.

Care Instructions for your Kitchen Sink Mixer:

To maintain the appearance of this tap, ensure that it is regularly cleaned only using a clean, soft damp cloth. A solution of warm water and a mild liquid detergent may be used where necessary, and then the fitting rinsed thoroughly and wiped dry. Any other cleaning action will invalidate your warranty. If the tap has a diffuser it should be unscrewed and cleaned of dirt and scale periodically to maintain performance.

Abrasive cleaners, scouring cleaners and acidic cleaners **must not be used** under any circumstances. Avoid contact with all solvents (including chlorinated solvents, ketones or acetones as these may result in surface deterioration or etching). Also avoid contact with any harsh household chemicals such as oven cleaners, drain cleaners, rust removers, paint strippers and toilet bowl cleaners, bar keepers friend or Brasso.

Important Technical Data:

Minimum operating pressure 0.3 bar
Maximum operating pressure 5.5 bar*

Maximum hot water temperature 60°C*
Recommended hot water temperature 46°C

*If these temperatures or pressures are exceeded, even for short periods, damage can result.

This tap is either WRAS approved or manufactured in accordance with recognised European standards. Please ensure that your Kitchen mixer is fitted in accordance with Local Water Byelaws.

These installation guidelines have been prepared for your direction and you must exercise due care at all times. We do not accept responsibility for problems that may occur through improper installation. Whilst assembling the tap take care not to accidentally loosen any screwed assemblies.

Where the tap has a removable aerator on the spout exit it can be removed and cleaned periodically to maintain optimum flow performance.

Installation Preparation:

All parts should be removed from their packaging and inspected for completeness and transport damage prior to installation.

Before installing the new mixer it is essential that you thoroughly flush through the supply pipes in order to remove any remaining solder, swarf or impurities from your system. Failure to carry out this simple procedure could cause problems or damage to the workings of the mixertap.

We strongly recommend installing isolation valves to both the hot and cold feed pipes in an accessible position. This will help to ease any future maintenance if required.

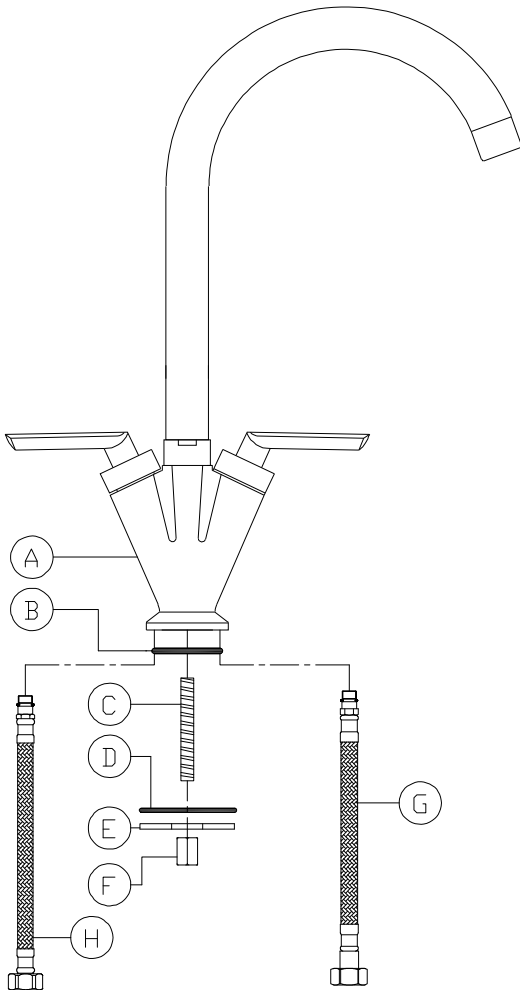
Shut off your water heating system and ensure that your mains stopcock is closed. Open the lowest hot and cold taps in the house and allow the water to run until the cold-water storage tank and pipes are fully empty. Please note, the hot water storage cylinder (if applicable) will remain full.

This mixertap requires a 35mmØ tap hole, if replacing an existing tap, remove the tap & clean the end of the feed pipes using wire wool the tap hole area should be free from dirt and sealant.

Loosely position the tap and tail pipes to check if any alteration to the existing pipework is required, if this is the case do this now.

Installation:

Key:	Description:	Qty.
A	Tap body	1
B	Upper seal	1
C	Fixing stud	1
D	Lower gasket	1
E	Metal horseshoe	1
H	Hot flexi tail pipe	1
G	Cold flexi tail pipe (NRV pre-inserted)	1
E	Fixing stud	1
F	Fixing nut	1



1. Screw the fixing stud (C) into the base of the tap (A).
2. Screw the hot and cold tail pipes (H & G) into the base of the tap body (A), note: the hot water should be connected to the left hand side of the tap when viewed from the front.
3. Place the upper seal (B) over tail pipes (H & G) and into the base of the tap body (A). note seal (B) may require deflecting before positioning into the tap body (A)
4. Place the mixertap (A) onto the sink or worktop and pass the tail pipes (H & G) and fixing stud (C) through the taphole. With the tap in place check that the tail pipes (H & G) meet the hot and cold water feeds. If further adjustment to the plumbing is required do this now.
5. Pass the lower gasket (D) and then metal horseshoe (E) over the fixing stud (C) and around tail pipes (H& G).
6. Fasten the fixing nut (F) securely onto the fixing stud (C) fixing the tap (A) into its correct location centred over the taphole.
7. Connect the hot & cold water tail pipes (H & G) to the water supplies using ½" BSP x 15mm compression fittings or similar.

After installation:

Once you have visually checked the new fittings and connections, ensure that all taps are closed except the new mixer tap, which should be left open. Turn on the water supply at the mains stop cock. As the system starts to refill, **check carefully for leaks**. Once you are fully satisfied that there are no leaks, turn on the water heating.

Clean the tap to remove any marks created during installation as instructed then replace the bag that has been provided to protect the tap until it is ready for use.

FOR SPARES & TECHNICAL SUPPORT CALL 01226 28 34 34