

Important Technical Data

Whilst every effort has been made to make these instructions comprehensive they may not be exhaustive, we strongly recommend that this product is installed by a skilled professional. This will ensure the best possible finished installation.

This product is made from high quality fireclay for the greatest possible durability, after the end of the lifecycle of this product it should be disposed of responsibly. Please be aware that fireclay is a natural material therefore variations in size, flatness and finish should be expected

Earth bonding: under current IEE regulations there is no statutory requirement to earth bond sinks as most new wiring installations are protected with an RCD. If you are unsure if your wiring is protected by an RCD, contact a qualified electrician.

Maximum temperature +300°C* Note: If this temperature is exceeded, even for short periods, damage to the finish can result.

Waste disposers should be mounted in such a way that the weight of the unit is supported by the kitchen cabinet carcass, not just the sink. Faulty or damaged waste disposal units can cause vibration – this will damage the sink and can loosen connecting pipework or fixings causing water leaks.

All Abode products are designed in accordance with recognised European or global standards. Please ensure that your Abode product is fitted in accordance with localised legislation.

The installation should be periodically checked for damage to water sealing parts as described in the instructions to avoid accidental water damage.

Abode is a registered trademark of Abode. All errors and omissions excepted.

A full technical specification and copies of these instructions are available for this product on our website. www.abodedesigns.co.uk

Manufacturers Product Reference

CE

Norcros Group (Holdings) Ltd
Ladyfield House
Station Road,
Wilmslow
Cheshire
SK9 1BU

Production year: See label

Abode DoP

Product code: See label

Preparation of food, washing of
dishes and discharge of
domestic wastewater.

EN 13310

CA - DA

©Abode
AX4003 v3 - 15/2021

abode

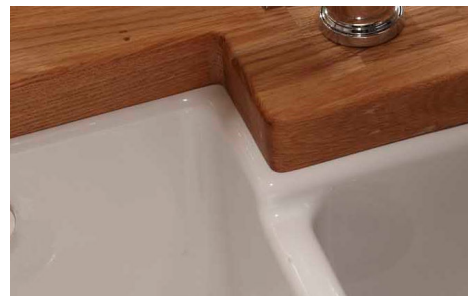
Unit L, Zenith Park, Whaley Road, Barnsley, S75 1HT.
Tel: 01226 283434 Fax: 01226 282434

www.abodedesigns.co.uk

All errors and omissions excepted.

Please retain these instructions with the sink for future reference

Ceramic Inset/Undermount Sink



10 Year Warranty Terms and Conditions

In the unlikely event that you should experience any defect in the materials or workmanship of your new Abode sink within 10 years of purchase, the manufacturer will repair or replace all or any part of the product that is defective, at their discretion. The manufacturer will not be responsible for any other consequential costs such as labour, removal or reinstallation of the sink or any other connected or related products.

This is provided that the product has been used for normal domestic purposes in the UK & Eire, and that the care, installation and maintenance instructions have been observed. The warranty extends to the original purchaser only. You should retain a copy of your dated invoice as proof of purchase to validate any claims under this guarantee.

Please note that this product is manufactured using natural materials so slight shade variations can occur. Marks, scuffs and scratches caused during installation or accidental damage are not covered by this guarantee.

Care Instructions for your Kitchen Sink

To maintain the appearance of this product, ensure that it is regularly cleaned using only a clean, soft damp cloth. A solution of warm water and a mild liquid non-antibacterial detergent may be used where necessary, and then the product rinsed thoroughly and wiped dry. Any other cleaning action will invalidate your warranty.

No household or industrial chemicals should come into contact with this product to prevent damage. To prevent staining or discolouration of the product always rinse the sink with water after use, if you live in a hard water area we suggest you also wipe the sink dry.

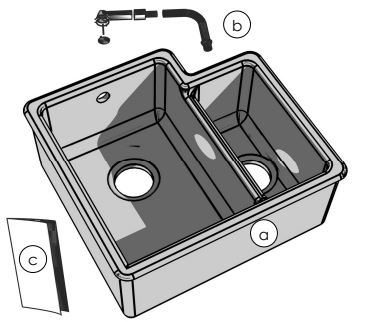
Do not cut, slice or chop directly onto the sink as you may mark the surface finish. Avoid the use of plastic washing up bowls as engrained grit on the bowl underside may mark the surface finish. Avoid impacting the product with sharp or heavy objects, such as knives, pans or cooking pots and also avoid contact with abrasives. No hot objects should be placed directly onto the sink surface. Avoid contact with cycles of very hot and cold substances.

For further care and maintenance advice on removing stubborn marks and more examples of objects or actions likely to artificially shorten the life of this product please visit our website.

Please retain these instructions with the sink for future reference

Parts and Contents

| Key | Description | Qty |
|-----|------------------------------------|--------------------|
| A | Sink (may differ from model shown) | 1 |
| B | Overflow pipework | 1 |
| C | Care instructions and or template | 1 |
| N/A | Basket strainer waste(s) | dependant on model |
| N/A | Connecting pipework | dependant on model |



Installation Instructions Inset

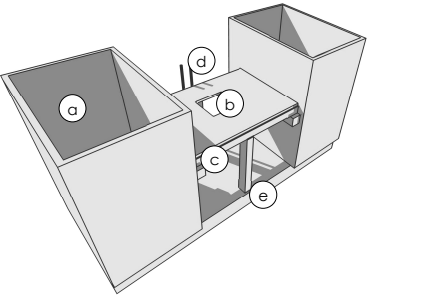
Follow cut out instructions provided, connect overflow and pipe work as instructed. No inset clips are provided so silicone seal around rim of underside of sink then place onto work surface. Note: Place a heavy object inside bowl to press sink down to help to keep the sink in place whilst the silicone sets.

Installation Instructions Undermount

Preparation

- Take great care when handling this sink, whilst every effort has been taken to remove sharp edges, the material by nature may be sharp. We recommend wearing gloves accordingly. Do not lift the product by the waste hole(s) or tap hole(s). We recommend 2 people should be used to handle this product.
- Check the package for completeness, possible defects or any transport damage before installation commences. Installed faulty product will not be honoured by the warranty.
- Check that the supporting carcass and worktop is level left to right and front to back to ensure correct drainage of water.
- Check that the surrounding furniture is the correct size and shape to accept this product and that no plumbing or wiring may foul the installation.
 - All ceramic products should be supported under the reverse face with a substantial braced shelf similar to the example below. The shelf should be designed to allow for small adjustments in height at each corner and so that it could be disassembled from the underside in the event that the sink is accidentally damaged.
 - The height of the shelf should be such that when the sink is placed on the shelf the top face rim of the sink is level with the underside face of the worktop, see example below.

| Key | Description |
|-----|---|
| A | Surrounding cupboards or end panels |
| B | Hole for waste connections (min recommended dia. 150mm for each waste, centred to waste) |
| C | Supporting shelf (moisture resistant timber or similar, ensure framework sits directly under the product) |
| D | Incoming hot and cold supply pipes |
| E | Supporting uprights (front & back) |



- If replacing an existing sink, remove this product and clean the surrounding area, ensure the new sink will suit the existing cut out size and position, otherwise amend the cut out size accordingly.
- Collect the tools you will need to complete this installation. Typically this might include a spirit level, pencil, straight edge, set square, jigsaw, chapsaw, and a drill with screwdriver bits amongst others.

Installation

- Before creating the cut out in the worktop, carefully plan the positioning of the sink. Ensure that the position of the bowl(s), tap and overflows will not interfere with surrounding units or appliances. The cut out details are published on the included specification sheet and on www.abode.eu to ensure perfect positioning of this product. Check that the fixing clips will not foul carcass walls or supporting braces.
- Carefully mark out the cut out using the provided technical drawing or template. Create the sink cut out in the worktop using a router or CNC cutter, follow the manufacturer's instructions taking care not to chip, crack or scratch the worktop. If preparing the cut out in situ cover any open pipework to avoid any debris contaminating the water supply feeds.

IMPORTANT: Due to the larger dimensional tolerances on ceramic products we strongly recommend making the cut out in a scrap piece of material then checking it against the actual sink to be fitted. The cut out size should be adjusted to suit the sink tolerances and retested against the intended product before committing to cutting the final worksurface. The 'nominal' suggested cut out size will align the cut out edge with the bowl edge radius. The offset from the bowl can be adjusted to overhang or be set back according to personal taste but, this may interfere with installation or the correct usage of sink accessories.

- Install the tap to the worktop according to the manufacturer's instructions. Ensure the tap is secure as later access may be obstructed by the sink or plumbing. We recommend using long flexible tap connectors to help.
- Install the basket strainer waste kit(s) and overflow according to the manufacturer's instructions.
- If the sink is a reversible design choose the orientation of the bowl(s) and/or drainer. Place the sink on the supporting shelf, then with a long straight edge over the surrounding cabinets and sink rim level the sink to the cabinet tops, adjusting the supporting shelf at the corners as required.

- Clean the cut out perimeter of the worktop underside and the upper perimeter of the sink with a degreasing cleaning solvent and allow to dry.
- Apply a continuous generous bead of good quality silicone onto the rim around the upper perimeter of the sink (fig 1).

Note: if the cut out is adjusted to either overhang or step back from the sink rim sufficient surface area must be left to allow a water tight seal, fig. 2 shows the cut out flush to the bowl radius.

- Gently lay the worksurface onto the sink, carefully align the sink rim with the cut out shape with equal spacing on all sides (fig 2).

Where possible apply a 2nd and 3rd bead of silicone around inside and outside of the adjoining sink and worktop. Any excess silicone can be cleaned away using a proprietary silicone cleaner. Allow the silicone to dry.

- Attach the sink connecting pipework to the waste kit(s) according to the manufacturer's instructions.

After installation

- Clean the sink using the attached care advice ready for use.
- Check the sink is flat to the worktop, straight and level; pour a small amount of water onto the drainer (if applicable) to check for drainage.
- Close the plug(s) in all bowls, fill the sink with water below the overflow and check the water does not leak through or around the waste(s).
- Close the plug(s) in all bowls fill the sink with water above the overflow, check the water exits through the overflow and does not leak from the overflow system.
- Open the plug(s) and let water drain from the bowls, check the connecting pipework does not leak.
- If the sink is not to be used for a period after installation, cover the sink and tap to protect them from accidental damage during further surrounding installation work.
- We recommend once fully set, the silicone seal should be checked for water tightness and rechecked periodically.

