

ACT2043 - Lever Pillar

Product Finish: Chrome

EAN13 barcode: 5060048383034



Product features:

- Metal construction throughout
- Quarter turn handle action for precise flow control
- Custom designed for lower to mid pressures
- Supplied with fixed 1/2" inlets
- Luscious quality chromium plate finish

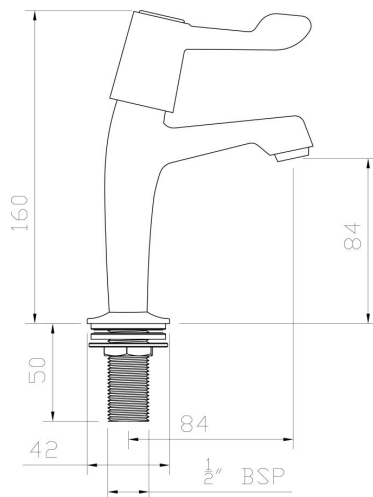
Additional information / Parts included:

4 x 38x3mm black rubber gasket, 2 x 1/2" BSP F 40mm diameter 24mm a/f brass fixing back nuts

Primary WRAS fittings number (see www.wras.co.uk):

1906302

Product dimensions:



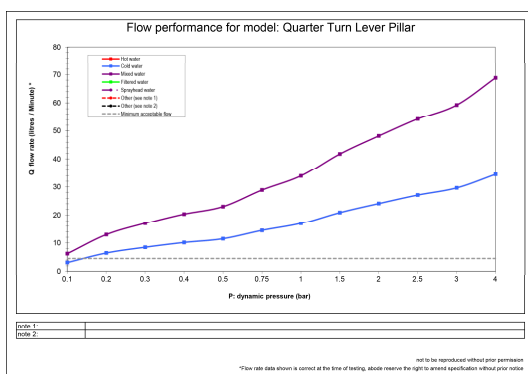
- **Overall Height / projection:** 160 mm
- **Exit reach:** 84 mm
- **Exit height:** 84 mm
- **Centre distance(s):** n/a
- **Base diameter(s):** 42 mm
- **Recommended hole diameter:** Ø 30-32 mm
- **Max. surface depth:** 25 mm
- **Spout diameter:** n/a mm
- **Spout aerator size:** M16 x 1 F

Packaged properties:

Box length: 230 mm
Box width: 150 mm
Tap only weight: 0.86 kg

Box depth: 50 mm
Units per outer: 12
Boxed weight: 0.97 kg

Product flow characteristics:



- **Min / Max water pressure:** 0.10 / 5.5 bar
- **Recommended / Max water temperature:** 46°C / 70°C
- **Part G - Mixed flow rate at 3 bar (litres / min):** 68.86

- **Control valve type:** 1/2" ceramic disc, quarter turn operation
- **Flow characteristics:** Single flow
- **Non return valve(s):** None

- **Aerator type:** Flow Straightener
- **Spout connection method:** N/a

- **Tail pipe inlet / outlet size:** n/a / 1/2" BSP Male/ 15mm ID
- **Inlet pipe type / length:** Fixed threaded inlets / 50 mm

Care instructions summary:

- Clean the mixers and showers regularly as required, using soap, do not use any other cleaners.
- Regular cleaning will prevent the build up of lime scale and dirt
- After cleaning rinse thoroughly with clean water to remove any cleaner residue
- Residues of sink & worktop cleaners can also cause damage, so rinse with clean water after using, avoid contact with any abrasives

Warranty Summary (Full details available on request):

- Materials and workmanship defects warranted for 5 years
- Valves and working parts warranted for 5 years
- Surface warranty defects warranted for 1 year
- O-rings, hoses & gaskets warranted for 1 year