

3 Fit the top wall bracket securely. Check that it will support 10kg of vertical load. Offer the cabinet into position between the two brackets. Fix the top using the countersunk washer and the cabinet-bracket fixing screw from inside the cabinet. Place one bearing set and one cylinder washer between the cabinet and wall bracket. On the top fit one bearing set and secure using a tool nut. Tighten the tool nut using a spanner. Use the allen key to tighten the grub screw. This will prevent the tool nut from loosening. It is important that the tool nut and grub screw is fastened securely.

Fix the bottom of the cabinet in the same way starting with the cabinet fixing screw and countersunk washer inside the cabinet. Place the cylinder washer and bearing set between the cabinet and lower wall bracket. Then fix the bottom with a bearing set and Tool Nut. Fit the tool nut tightly using a spanner and use the allen key to secure the grub screw.

KEEP VERTICAL AT ALL TIMES DURING INSTALATION. DO NOT TILT CABINET

4 Make sure the fixings are secure and do not come undone when the cabinet is rotated. Check that all screws are fully tightened especially the grub screws

**IMPORTANT: Check the tool nut and grub screw tightness periodically.** Check the mirror clearance at the top and bottom of the cabinet before use. The mirror and wood edges should NOT come into contact with the bracket or wall when rotating.

5 Fit the glass shelf brackets as required. Each shelf requires four brackets. Insert glass shelf as required.

Check the cabinet is secure and rotates freely before use. If in doubt consult a professional installer. Stored contents should not exceed 5kg total weight.

Fit in accordance with manufacturers instructions. Do not strike the glass with hard or pointed items. Do not sit or stand upon glass surfaces. Wear suitable eye protection when drilling. When using power tools near water. The use of a residual current device is advised for added protection against electric shock. Beware of hidden pipes or power cables. Take care when drilling on glazed tile surfaces in case drill slips.

When cleaning glass panels or mirrors use a damp cloth or chamois leather with washing up liquid or soft soap if necessary: do not use washing powders or any substance containing abrasives since these can scratch glass. Use a furniture polish to clean the wood surfaces.

Complies with: BS7449:1991  
Mirror thickness 3mm film backed.  
Model ref: BA.DOMAIN 710

Design by: Lincoln Rivers  
If glass mirror is chipped or broken replace with glass specified above.  
Please retain this information for future reference.

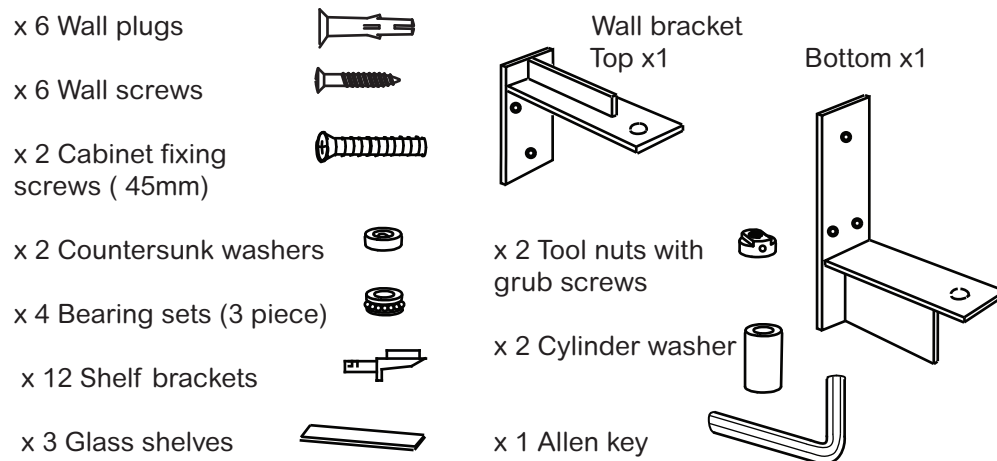
[www.wireworks.co.uk](http://www.wireworks.co.uk)

## Domain 710 Revolve

Thank you for purchasing this revolving bathroom cabinet. Please read the instructions and warnings carefully before use to ensure safe and satisfactory operation of this product. It is recommended that this cabinet is only fitted by persons competent in DIY.

### Contents:

The Cabinet is supplied with screws and wall plugs suitable for a stone or brick wall. For other wall types (eg. hollow plasterboard) alternative fixings will be required. If in doubt, consult a qualified person.



You will need a power drill, masonry drill bit, cross-head screwdriver, spanner, tape measure, spirit level and pencil to install this product. Ensure the wall surface is of suitable strength and construction before fixing the cabinet.

### Installation:

1 Position the bottom bracket in the lower central position using a spirit level. Mark using a pencil the position for the three wall plugs. Drill holes and push the wall plugs into position. Fix bracket securely using supplied wall screws if suitable. Check bracket supports a 15kg load before proceeding.

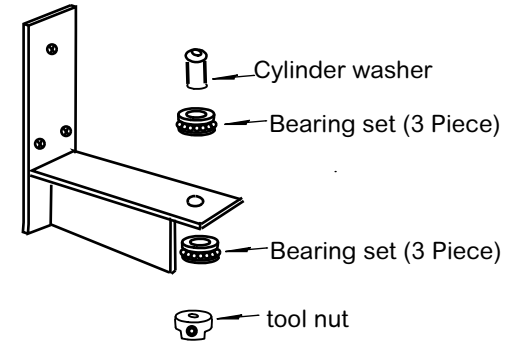
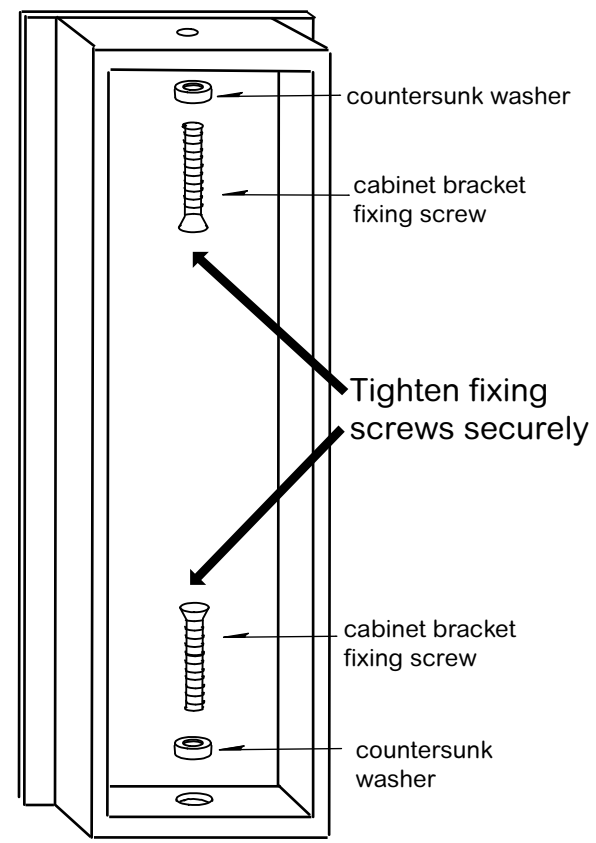
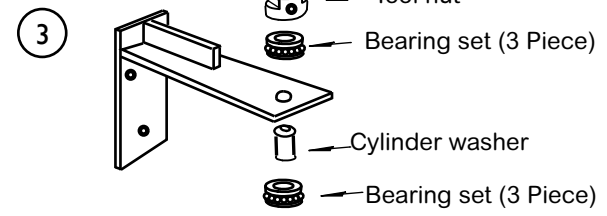
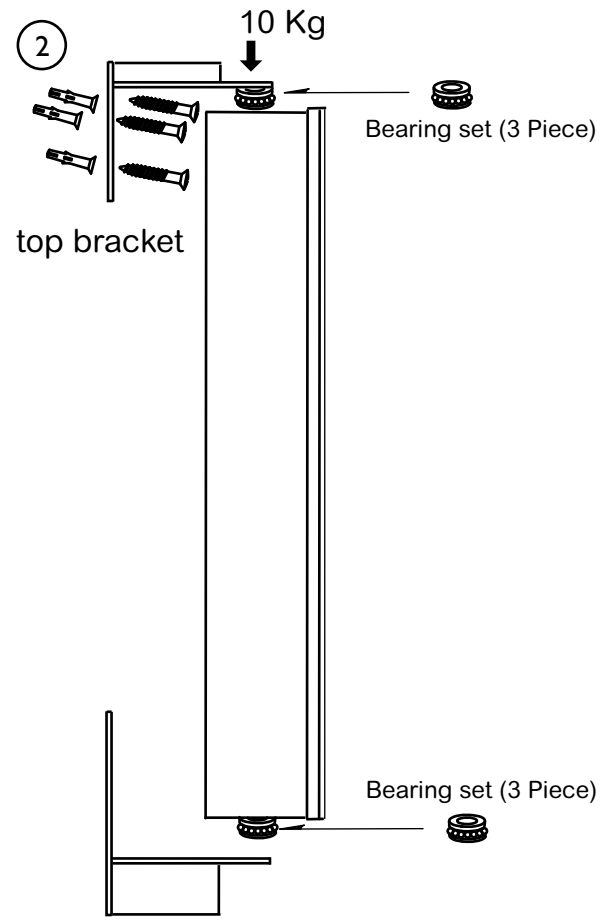
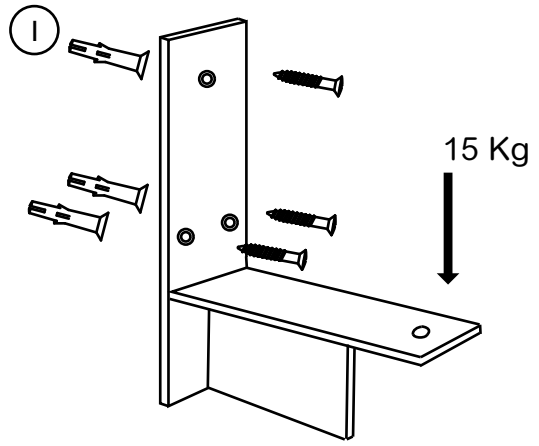
\*Hint - when drilling into masonry start with a small drill bit and increase to a larger drill bit. This will give you much greater accuracy.

2 Place cabinet on the bottom bracket fitting a bearing set between the cabinet and bracket to get the correct height. Use the other bearing set at the top between the cabinet and top bracket - make sure the cabinet is vertical and mark the position for the top bracket fixing holes. Brackets should line up vertically. Drill and insert the wall plugs.

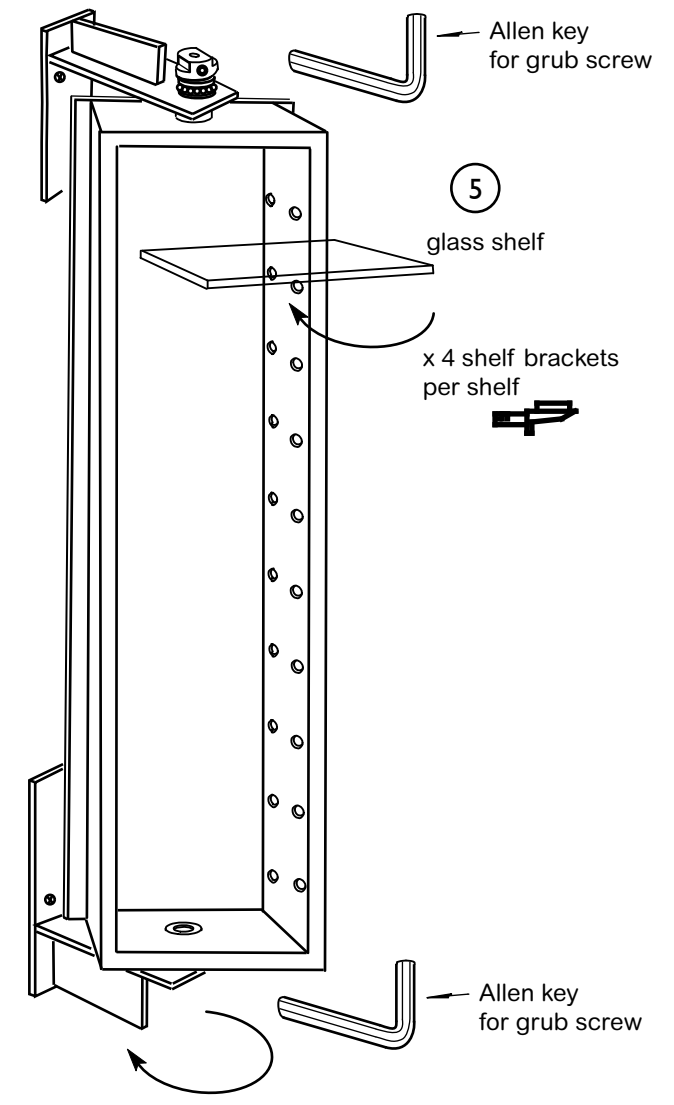
See inside and back for further written instructions

**.wireworks**  
london

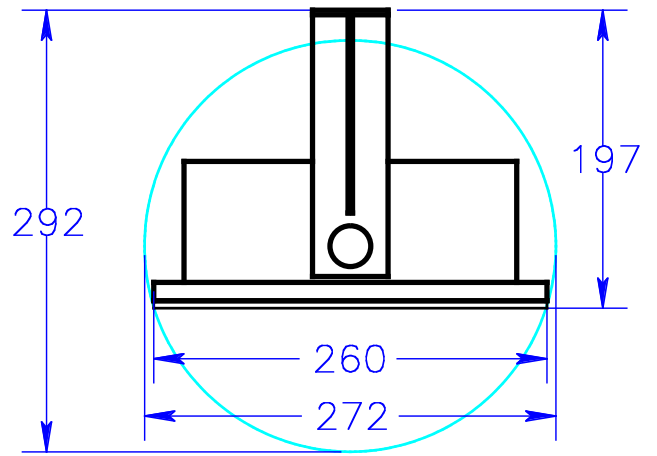
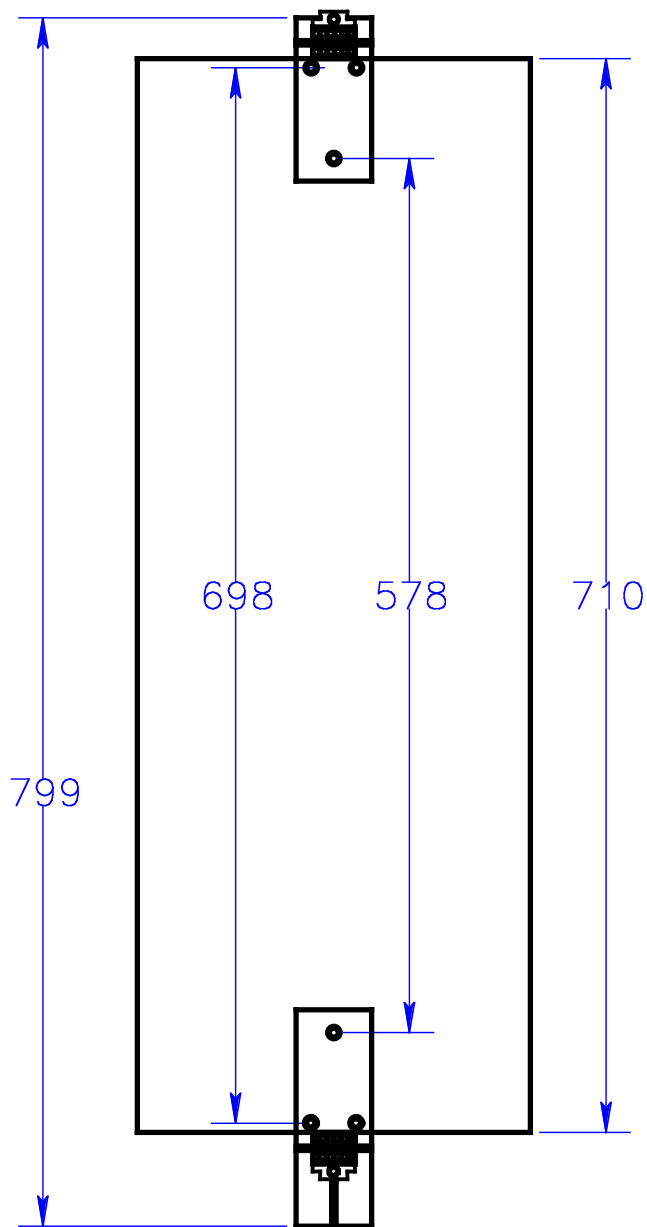
bottom bracket



4 Tighten tool nut and grub screws securely



Check clearance before use



Domain 710 revolving cabinet

**Installed dimensions**  
**mm**

dimensions are approximate and should be measured from the product

**.wireworks**

all rights reserved 2014  
design by: Lincoln Rivers  
27.05.2014