

Thank you for buying 'single cabinet 700 Arena'

Assembly instructions.

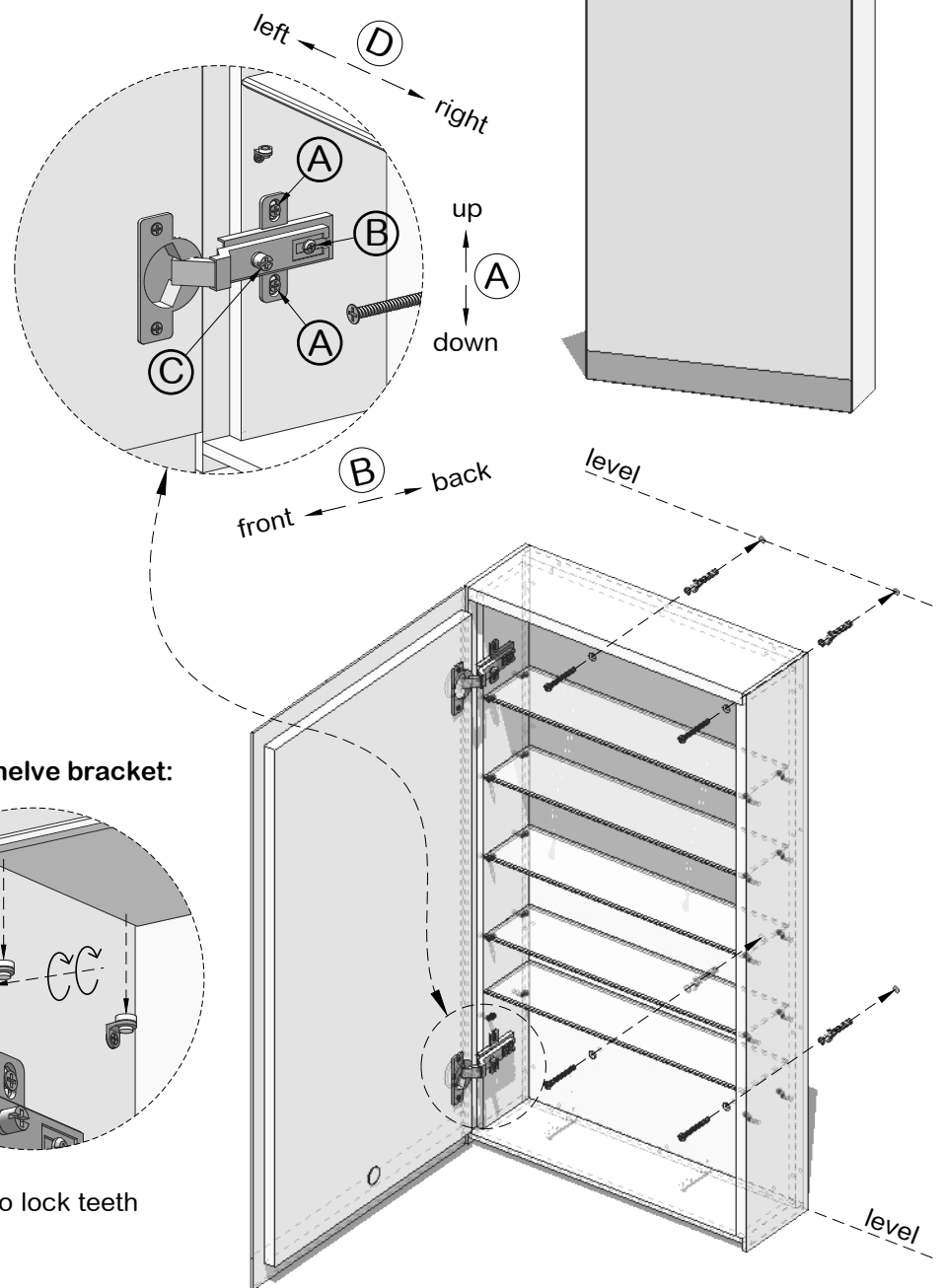
This cabinet is supplied with screws and wall plugs suitable for a stone or brick wall. For other wall types (e.g. hollow plasterboard) alternative fixings will be required. If in doubt consult a qualified person.

Ensure the wall surface is of suitable strength and construction before hanging the cabinet.

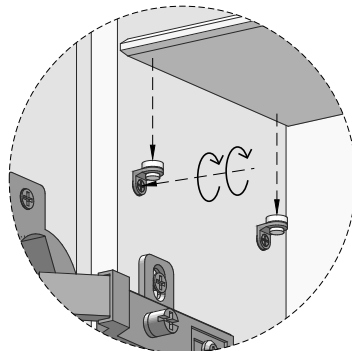
Warnings:

Fit in accordance with manufacturers instructions. Do not strike the glass with hard or pointed items. Wear suitable eye protection when drilling. When using power tools near water the use of a residual current device is advised for added protection against electric shock. Beware of hidden pipes or power cables. Take care when drilling on glazed tile surfaces in case drill slips.

Hinges adjustment:



Glass shelf bracket:

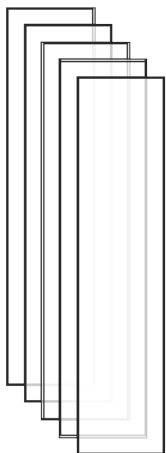


turn to lock teeth

Tools required:

- Cross head screwdriver
- Power drill
- Spirit level
- Pencil

Fixings / shelves (as marked):



x 5



x 20



x 4



x 4

- clean with a damp cloth or chamois leather using a mild solution of washing up liquid. Do not use washing powders or any other substance containing abrasives since these can scratch the surface.

- do not overtighten screws during assembly.

- beware ! - some liquids may stain the laquered finishes

.wireworks
london

Fitting Instructions

Please note the door hinge fixing screws may become loose in transit and should be checked and tightened if necessary before use.

1. Position cabinet against wall using spirit level to check alignment.
2. Mark using a pencil the positions for the four wall plug holes from inside the cabinet.
3. Drill holes to a suitable depth and push in wall plugs so they are flush.
4. Hold cabinet up to wall and fix screws securely from inside the cabinet to the wall plugs.
5. Retract the locking teeth on the shelf brackets (see diagram). Push brackets into pre-drilled holes inside the cabinet at required height, turn screw to lock the shelf brackets before fitting shelves.