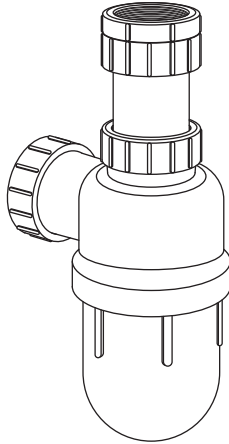


## Universal Bottle Trap

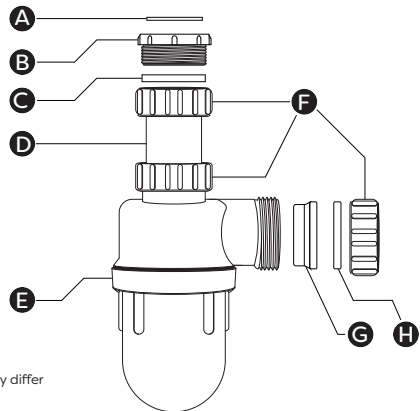


## Fitting Instructions

Please follow them carefully and  
leave this manual with end user

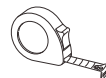
### Items Included:

- A. Silicone O-ring (Top)
- B. Basin Screw Nut
- C. Silicone O-ring
- D. Body Tube
- E. Bottle Trap Body
- F. Body Screw Nut (x3)
- G. Silicone Seal
- H. Plastic O-ring



\*Diagrams are for illustration purposes only. Your Bottle Trap may superficially differ from this drawing however the installation guide steps still apply.\*

### Tools Required (Not Included):



Tape  
Measure



Spirit Level

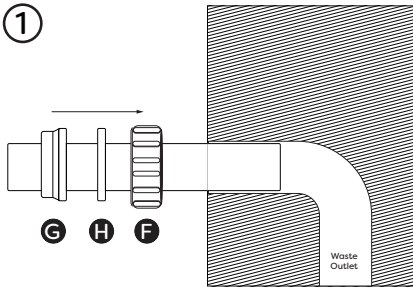
### Recycling and Disposal:

Please recycle the packaging in accordance with your local government regulations on waste handling and follow the same advice at the end of the products life.

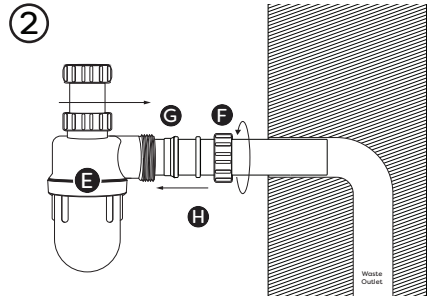
## Before you begin:

1. **We recommend that this product is installed by a qualified tradesperson**, Victorian Plumbing Ltd. accept no liability for products incorrectly installed or any damage to the floor, walls, plumbing, sink, bottle trap or personal injury during installation.
2. Observe all local plumbing and building codes & regulations.
3. Ensure the incoming mains water supply is switched off prior to commencing the installation.
4. For the following instructions, it is assumed that the in-wall/floor plumbing has already been prepared and your chosen sink is installed.
5. Unpack the product then read these instructions before proceeding. Inspect the product for damage. If any damage is found, contact our Customer Relations team.

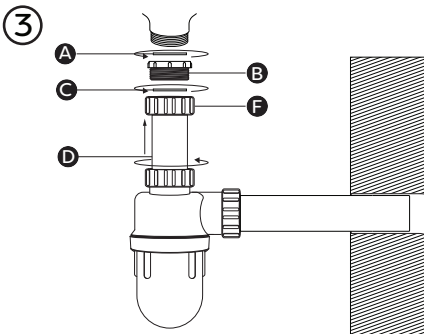
## Installation:



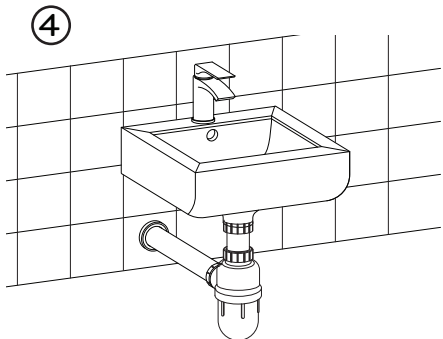
Place the 'Body Screw Nut' (F), 'Plastic O-ring' (H) and 'Silicone Seal' (G) over the waste pipe (not included) as shown in the diagram above.



Place the 'Bottle Trap Body' (E) over the waste pipe, then fit the 'Silicone Seal' (G) and 'Plastic O-ring' (H) within the threaded tail. Screw the 'Body Nut' (F) to the 'Bottle Trap Body' ensuring a tight seal.



Place the 'Silicone O-ring' (A) over the threaded tail of the basin sink waste then screw the 'Top Screw Nut' (B) to the sink waste. Place the 'Silicone O-ring' (C) over the threaded tail of the 'Top Screw Nut' then slide the 'Body Tube' (D) upwards so that it reaches the sink waste and Tighten.



Tighten all the 'Nuts' to ensure a tight seal. Turn on the water supply, run the tap and check all joints/connections for any leaks.

Diagrams are for illustration purposes only. Your Bottle Trap may superficially differ from this drawing however the installation guide steps still apply.