

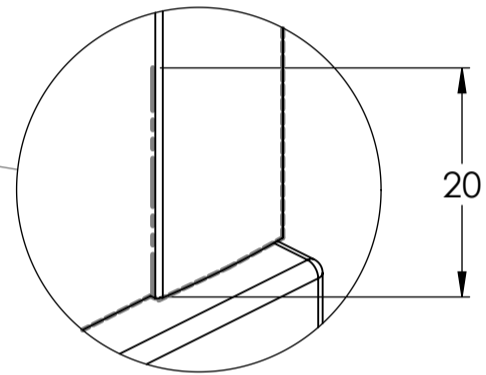
EXTERNALLY SILICONE SEAL THE WALL PROFILE WHERE IT MEETS THE WALL AND ALONG THE BOTTOM OF THE GLASS. ALL IN A CONTINUOUS BEAD.

DO NOT SILICONE INSIDE THE ENCLOSURE

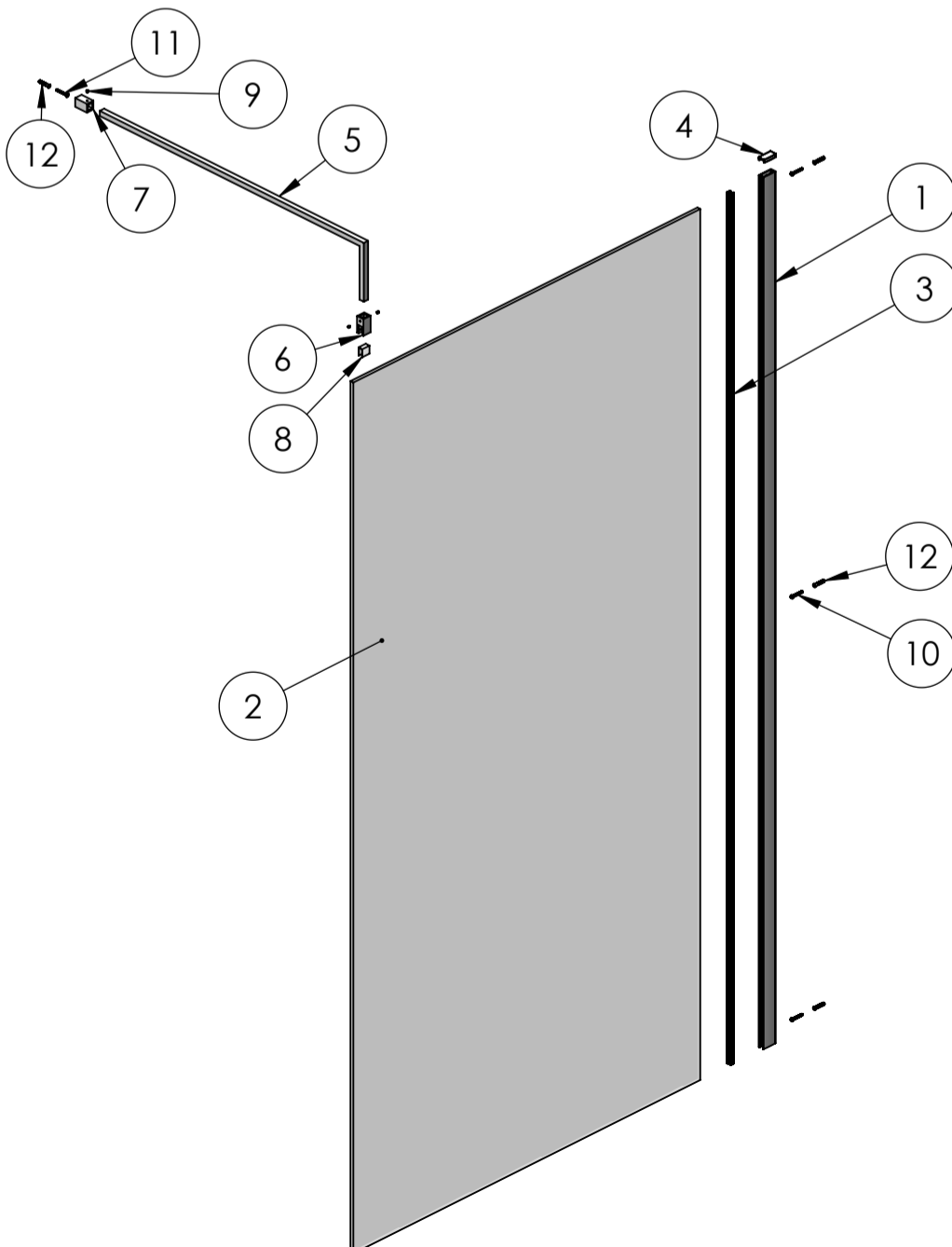
ALLOW THE SILICONE AT LEAST 24 HOURS TO FULLY CURE.

TROUBLE SHOOTING GUIDE

1. IS THE TRAY LEVEL (SEE STEP 1).
2. ARE THE WALL PROFILES PLUMB VERTICALLY (SEE STEP 2).
3. DO THE FINISHED TRAY MEASUREMENTS COMPLY WITH THE ADJUSTMENTS LISTED IN THE PRODUCT SPECIFICATION.



WETROOM SCREEN INSTRUCTION



UNPACK THE BOX AND ENSURE ALL COMPONENTS ARE PRESENT.

NO REFUNDS OR REFITTING COST WILL BE GIVEN IF INCOMPLETE OR DAMAGED GOODS ARE FITTED.

THE TOUGHENED SAFETY GLASS SHOULD BE HANDLED WITH CARE AS IMPACTS WILL DAMAGE THE GLASS OR ENCLOSURE.

FIT THE SHOWER TRAY AS PER THE MANUFACTURERS INSTRUCTIONS.

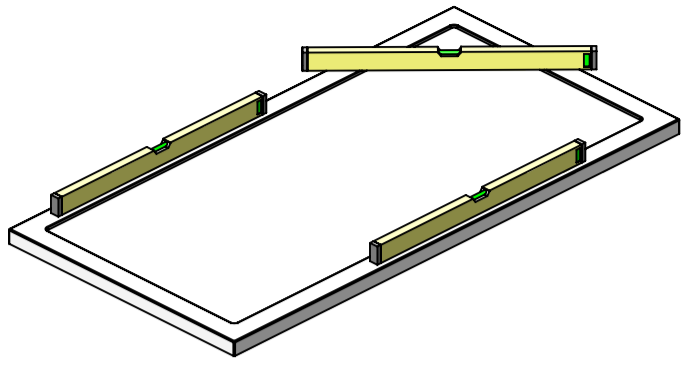
NOTE: IF THE TRAY ISN'T TRUE AND LEVEL, IT MUST BE RECTIFIED BEFORE SILICONING AROUND THE TOP EDGE OF THE TRAY WHERE IT MEETS THE TILES. ALLOW THE SILICONE TO DRY BEFORE FITTING THE ENCLOSURE.

TOOLS REQUIRED

POWER DRILL - 6mm MASONARY DRILL BIT
CROSS HEAD SCREW DRIVER - TAPE MEASURE - PENCIL
SILICONE GUN WITH SANITARY GRADE SEALANT - SPIRIT LEVEL.

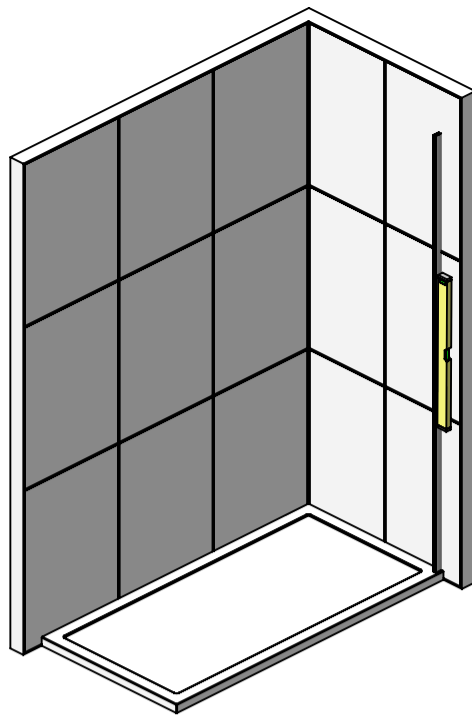
ITEM	DESCRIPTION	Note	QTY
1	WALL PROFILE		1
2	SHOWER WALL GLASS		1
3	PUSH IN 'V' SEAL THICK	FOR 8mm GLASS	1
4	PUSH IN 'V' SEAL THIN	FOR 10mm GLASS	1
5	WALL PROFILE CAP		1
6	TOP BAR		1
7	GLASS SOCKET		1
8	TOP BAR SUPPORT		1
9	PVC SADDLE		1
10	GRUB SCREW		4
11	30mm SELF TAPPER SCREW	FOR FIXING TO WALL	3
12	30mm CSK SCREW		1
13	RAWLPLUG		4

1



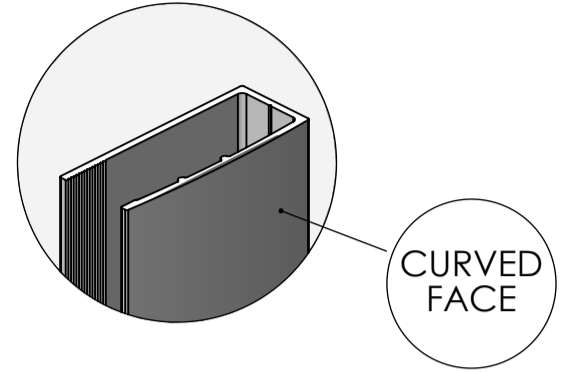
ENSURE THE TRAY IS LEVEL IN ALL PLANES.

2



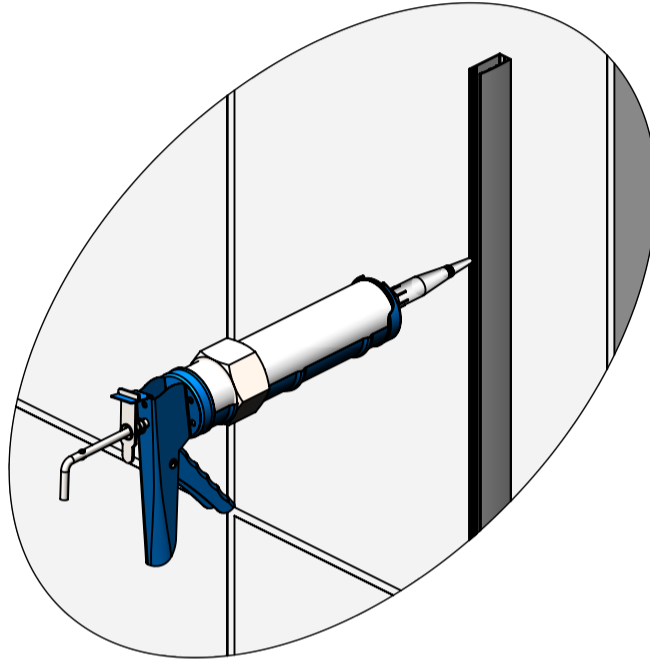
POSITION THE WALL PROFILE ON THE TRAY IN A SUITABLE POSITION. MAKE SURE IT IS TRUE WITH A SPIRIT LEVEL, THEN MARK THROUGH THE FIXING HOLES WITH A PENCIL. REMOVE PROFILES THEN DRILL AND PLUG THE WALL (ITEM 12). NOW FIX THE WALL PROFILE IN PLACE USING ITEM 10.

BEFORE FIXING ENSURE THAT THE CURVED FACE OF THE PROFILE IS FACING OUTWARDS FROM THE ENCLOSURE.



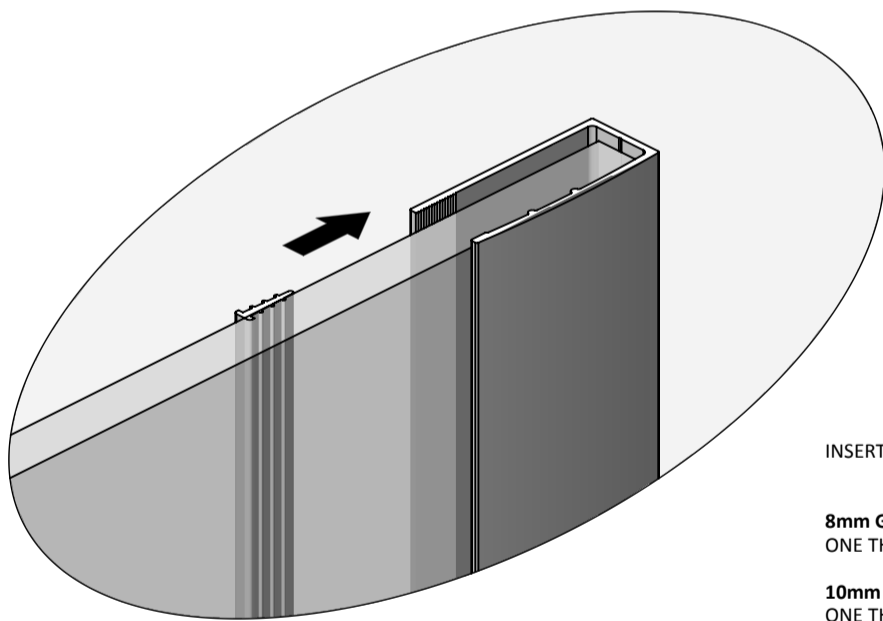
CURVED FACE

3



OPTIONAL
RUN A SMALL BEAD OF SILICONE DOWN THE INSIDE OF THE WALL PROFILE BEFORE FITTING GLASS. NOW SLIDE THE GLASS PANEL (ITEM 2) INTO THE PROFILE.

4

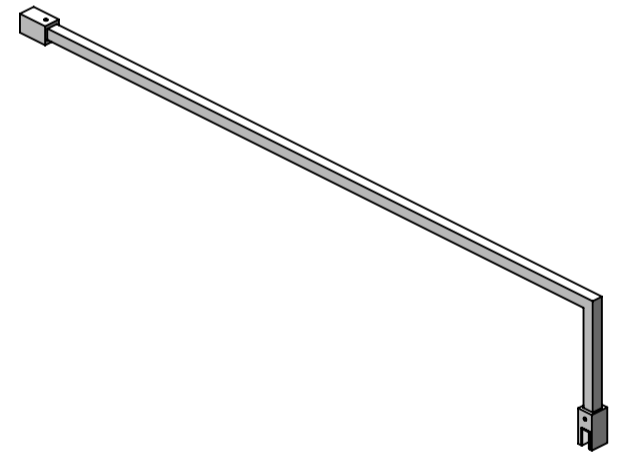


INSERT PUSH IN 'V' SEALS AS FOLLOWS:

8mm GLASS
ONE THICK SEAL ON THE INSIDE OF THE GLASS PANEL.

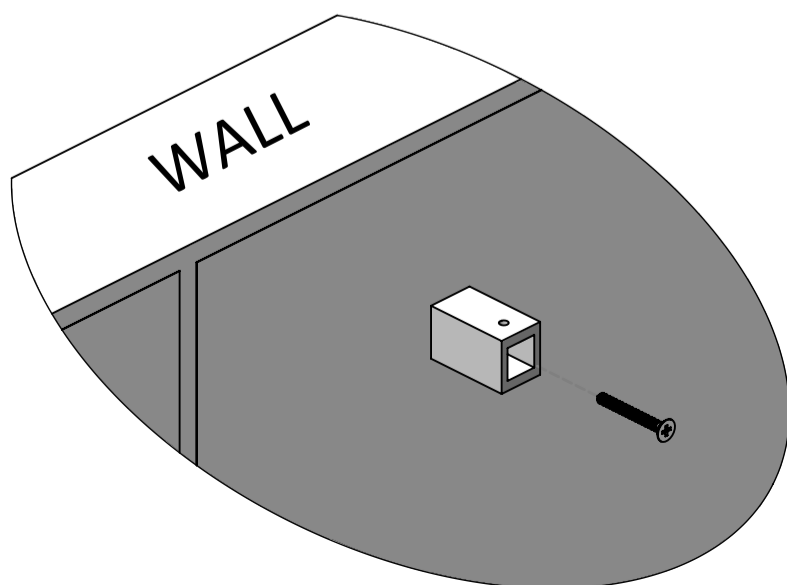
10mm GLASS
ONE THIN SEAL ON THE INSIDE OF THE GLASS PANEL.

5



ASSEMBLE THE TOP BAR AS PER THE IMAGE ABOVE. CUT THE TOP BAR TO THE REQUIRED LENGTH.

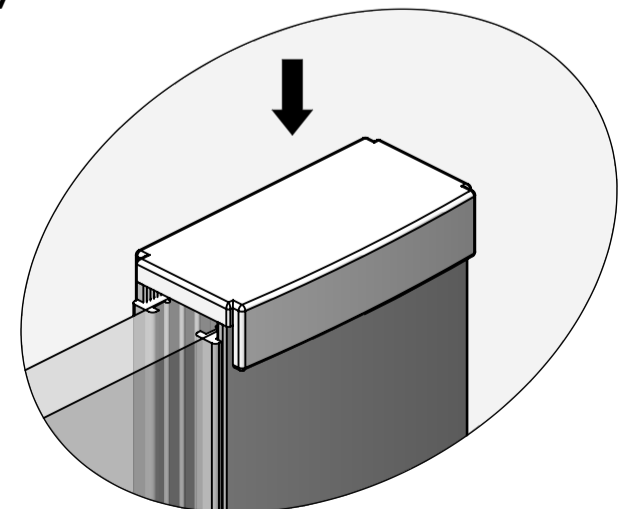
6



ONCE ASSEMBLED MARK AND DRILL THE WALL BAR SUPPORT (ITEM 7). ENSURE THE WALL BAR SUPPORT IS LEVEL AND THAT THE GRUB SCREW IS FACING UPWARDS BEFORE FIXING IT TO THE WALL USING ITEMS 11 & 12.

FIT BAR ASSEMBLY.

7



FINALLY FIT THE WALL PROFILE CAP (ITEM 4). A SMALL BLOB OF SILICONE CAN BE APPLIED TO THE UNDERSIDE OF THE CAP TO HOLD IT IN PLACE IF NECESSARY.