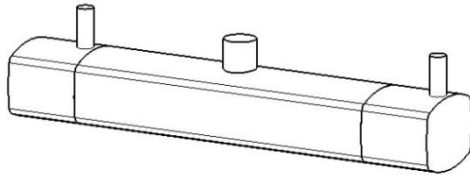
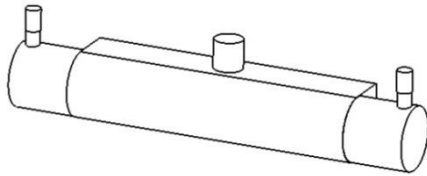


Body and handle  
design may vary  
depending on  
model chosen

# Thermostatic Bar Valves

## Installation & operating guide

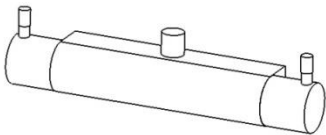


**Please leave this installation & user guide with the  
end user**

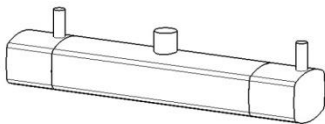
## CONTENTS

1.	Product Variants	1
2.	Important information	2
3.	Cleaning & Aftercare	2
4.	Box contents	3
5.	Dimensions	4
6.	Plumbing connections	4-5
7.	Installation	5
8.	Temperature adjustment	6
9.	FAQ	7

### 1. PRODUCT VARIANTS



Round Bar Valve with interchangeable outlet.



Square Bar Valve with interchangeable outlet.

## 2. IMPORTANT INFORMATION

- Debris in the new pipe work can get into the cartridges. This is easily avoided by thoroughly flushing the pipe work **BEFORE** connecting the shower valve to the water supplies.
- This shower valve is suitable for use with all water supply systems up to a maximum water pressures of 5 bar (**balanced water pressures are desirable for best performance**). Pressures above this limit may require the fitting of pressure reducing valves into the incoming mains household water supply.
- This product must be installed in such a way as not to cause water damage during use. **We recommend that this product is fitted by a fully qualified installer. The installation must comply with all current water byelaws.**
- **NB. If you experience any difficulty with the installation or operation of your new shower valve, please refer to 'FAQ' section at the back of this guide.**

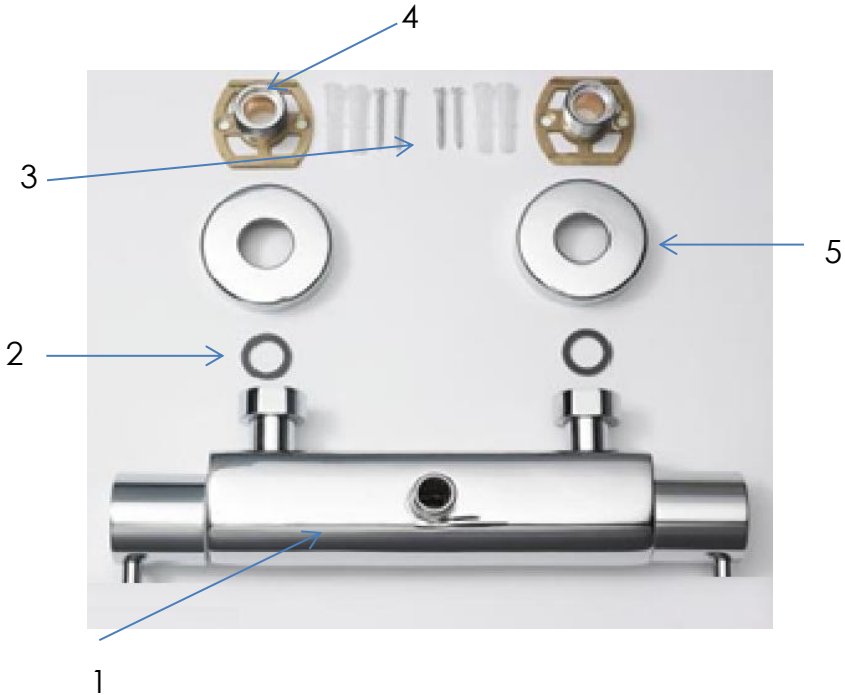
## 3. CLEANING & AFTER CARE

This product is made using high quality chrome plating, and this should be maintained using a clean damp cloth. No abrasive agents or materials should be used, and **any misuse will invalidate your guarantee.**

This precision made thermostatic shower valve will continue to give years of use provided it has been installed & operated in accordance with these fitting instructions. Failure to do this will invalidate any guarantees.

## 4. BOX CONTENTS

Note: Body, plate and outlet position may vary depending on the model supplied.

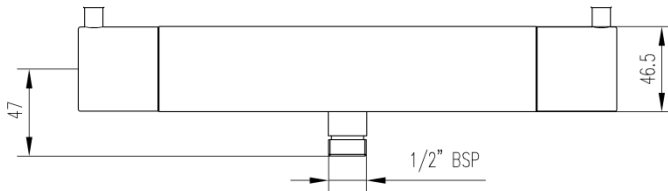
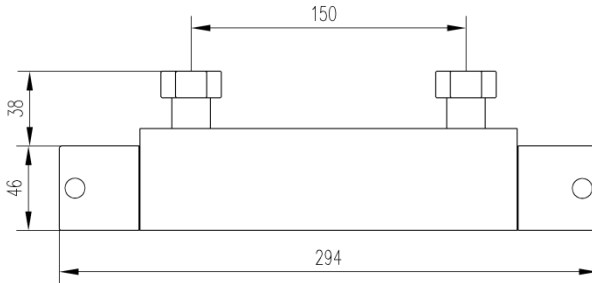


1. Main thermostatic shower valve body with built in check valves.
2. Rubber sealing washers x 2.
3. Screws and wall plug pack x 2.
4. Fast fix 15mm compression to 3/4" BSP connectors x 2.
5. Chrome wall flanges x 2.

Other items that you will require which are not supplied include (this is not an exhaustive list): Isolation valves, Screwdrivers, Adjustable Wrench, Bucket (for flushing out pipework), Thermometer, Silicone and a Spirit level.

## 5. DIMENSIONS

ALL DIMENSIONS ARE APPROXIMATE

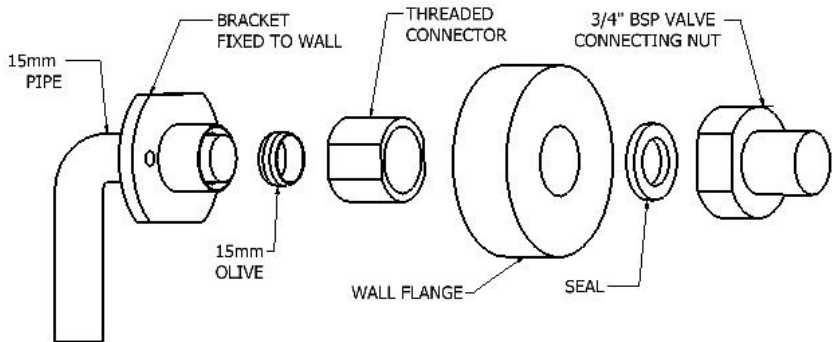


## 6. PLUMBING CONNECTIONS

**The inlets will be clearly marked hot and cold. Always connect the hot pipework to the hot side of the valve and the cold pipework to the cold side of the valve.** The pipework on site should be installed with the hot on your left hand side and the cold on your right hand side when you face the wall.

Depending on the product, the outlet will be:

1. **Top only:** When installed correctly the outlet will be at the top.
2. **Bottom only:** When installed correctly the outlet will be at the bottom.
3. **Top or bottom:** The outlet is removable and can be installed on the top or the bottom. Remove the outlet and the cap on the opposite side and switch their positions.



## 7. INSTALLATION

1. You must install isolation valves in an accessible position on the HOT & COLD water supply lines for servicing purposes. Check valves are already installed in the connecting nuts.
2. Determine the fixing position for the shower valve.
3. The pipework must protrude through the wall at this fixing position.
4. Fit the water inlet pipes through the fast fix brackets, screw the brackets to the wall and make a compression fitting with the chrome threaded nut.
5. Make sure the pipework is thoroughly flushed through to remove any debris from the system before connecting the water supplies. *Failure to do this could invalidate the guarantee.*
6. Fix the shower valve body to the connectors fitted on the wall by using the captive nuts.
7. Make the plumbing connection to the water outlet. This will take the water to the chosen auxiliary product (shower kit) you have selected to run with this shower.
8. Turn on the water supply and check for leaks.
9. Turn the flow handle to the on position and turn the temperature handle anticlockwise until it comes to a stop. Do not force it. After a few minutes, check the temperature from the terminal outlet with a thermometer. The recommended temperature is 42°C. If the temperature is not 42°C please consult the temperature adjustment section.

## 8. TEMPERATURE ADJUSTMENT

The Shower Valve temperature is pre-set to 42°C, but on certain installations the temperature may need to be adjusted.

**Note: Ensure hot water supply is above 60°C.**

Turn the Flow Control Handle to the maximum flow.

Set the temperature control knob at the 42°C position & check the temperature of the water from the outlet. If the temperature is not set to 42°C continue below.



1. Rotate the Temperature Handle clockwise and remove the Cover Cap.



2. Using the 2.5mm Allen key provided loosen the grub screw until the Temperature Handle can be removed.



3. The Temperature Spline Bush will now be visible.



4. With the Shower running, rotate the Temperature Spline Bush clockwise for colder, or anti-clockwise for hotter, until the desired showering temperature is achieved.



5. Now turn off the Shower and re-fit the Temperature Handle back onto the Spline Bush, making sure that the Override Pin inside the Handle is against the Temperature Stop Lug on the Shower. This will prevent the Shower from exceeding the set temperature unless the Override button is pressed.



6. Making sure not to rotate the Temperature Handle, secure it in place with the grub screw.



7. Now replace the Cover Cap.

## 9. FAQ

ISSUE	POSSIBLE CAUSE
<b>Temperature issue. (Too hot/too cold/fluctuation)</b>	<ol style="list-style-type: none"> <li>1. Maximum temperature needs adjusting. See Temperature Adjustment instruction.</li> <li>2. Hot and cold water supplies are plumbed to the wrong sides of the valve.</li> <li>3. Check Hot Water supply temperature. (Min 60°C )</li> <li>4. Operating Conditions are incorrect. (Pressure/Temperature).</li> <li>5. Check the system for any blockages (pipework debris).</li> <li>6. If too cold, press the Maximum Temperature Override Button and turn the Handle to increase the temperature.</li> <li>7. Water is being drawn off at other outlets or appliances.</li> </ol>
<b>Flow issue. (No or poor flow)</b>	<ol style="list-style-type: none"> <li>1. Check the system for any blockages (pipework debris).</li> <li>2. Operating Conditions are incorrect. (Pressure/Temperature).</li> <li>3. Valve shut-off has activated due to lack of cold water supply.</li> <li>4. Check that both hot and cold isolation valves are fully open.</li> <li>5. Ensure that the Check-valves are not sticking.</li> <li>6. Check the inlet filters for blockage.</li> <li>7. For Low Pressure Systems, please ensure the header tank is at least 1 metre above Head/Handset.</li> </ol>
<b>Leaking/dripping in the OFF position.</b>	<ol style="list-style-type: none"> <li>1. Possible debris in the CD valve.</li> <li>2. Possible retained water between the Shower and Head/Handset. (Allow several minutes for drainage).</li> </ol>

**In the unlikely event that none of the above has resolved your particular issue please contact us on the below details.**

