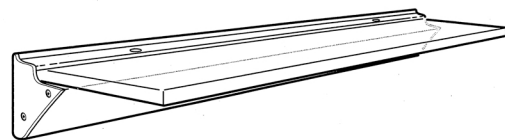


1 x FLORENCE LED SHELF LIGHT

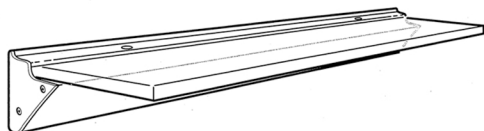


INSTALLATION INSTRUCTIONS

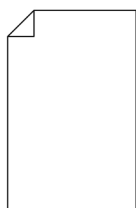
CODE: SE30156W0

IMPORTANT: Please read these instructions before commencing installation and retain for future reference.

Components

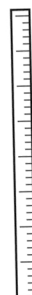


1 x Venice Shelf Light



1 x instructions

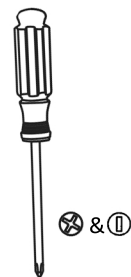
Tools required



Ruler



Pencil



Phillips Screw Driver
& Flat-bladed Screw Driver

Important Safety Information

Please read these instructions carefully before attempting to install this product. It is advisable to keep these instructions in a safe place for future reference.

We recommend that you consult a qualified electrician. All electrical installation must be carried out in accordance with current IEE wiring regulations (BS7671).

These products must not be modified, if any modification are made, it may invalidate the warranty and may render the product unsafe. These LED lights operate low voltage (24V).

Do not wire the individual LED light fittings directly to the mains. This product can be used indoors only.

- If in doubt installation must be carried out by a qualified electrician.
- Install on smooth flat surface(s) only.
- Do not exceed or stretch the cable length of each LED wire.
- The weight capacity for this shelf is 3Kg.

Safety Instructions

1. Before commencing installation or maintenance, isolate the main electrical supply for the appropriate circuit at the fuse board.
2. This product is only suitable for connecting to a 240V 50Hz supply.

3. The lights should be mounted onto a secure surface.
4. Suitable for furniture lighting.
5. This is a Class II device.

Waste Electrical & Electronic Equipment (WEEE)

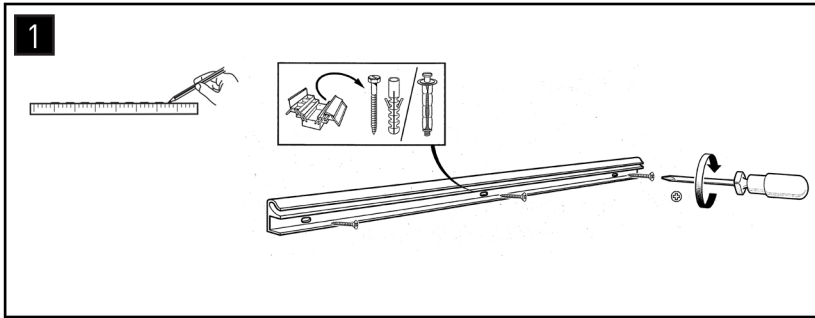
The symbol on the product, or on the document accompanying the product, the crossed out wheellie bin symbol, indicates that this product may not be treated as household waste. Instead it shall be handed over to the applicable collection point for the recycling of electrical and electronic waste.



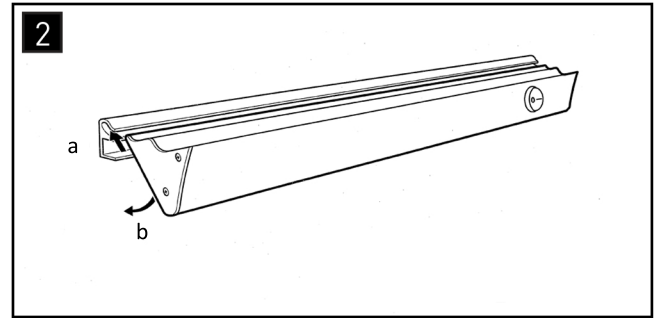
RoHS ✓
Compliant



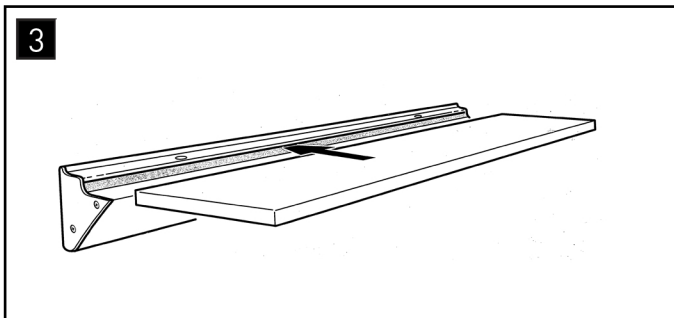
Installation



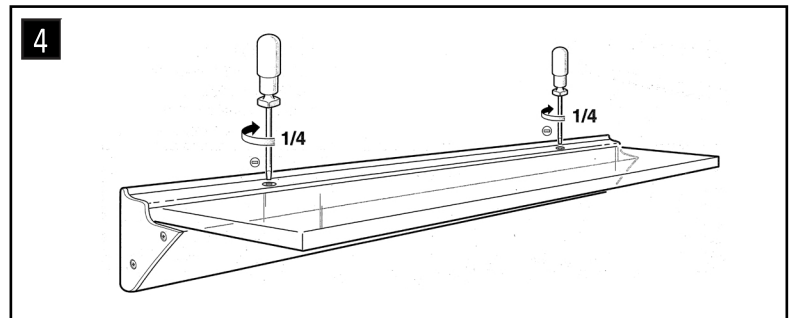
Measure and mark on the wall the desired position of the venice shelf, ensuring this is a secure surface. Then, using wall plugs, screws and a phillips screw driver, fix the bar to the wall, making sure the shelf is level.



Insert the aluminium fitting into the bar, as shown above.



Insert the glass shelf into the aluminium fitting.



Secure the glass shelf into the fitting using a flat-bladed screw driver. Finally, check that the power supply is turned off and connect to a suitable AC 220-240 V supply. Turn on the power and switch on the light.

Maintenance & Care

- Ensure that the power is disconnected prior to cleaning.
- To keep the finish of this product, wipe over with soft cloth periodically.
- Do not use harsh chemical solvents, this may dis-colour or damage the finish.