

Self-help Temperature Adjustment

The Shower Valve temperature is pre-set to 42°C, but on certain installations the temperature may need to be adjusted.

Note: The hot water supply must be above 60°C.

Turn the Shower on to the maximum flow.

Turn the Temperature Handle fully anti-clockwise & check the temperature of the water from the outlet. If the shower is not set to the maximum desired showering temperature, turn the shower off and continue below.

Note: There are two types of Temperature Handle Stop Lugs but the process is the same.



1. Built-in Stop Lug.



2. Handle Bush Stop Lug.



1. Remove the Temperature Handle concealing cap.



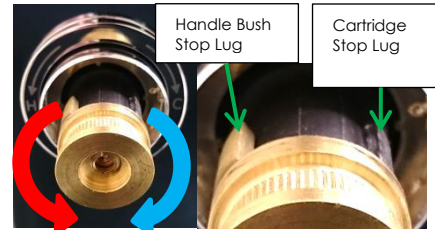
2. Using the 2.5mm Allen key provided loosen the grub screw and remove the Temperature Handle.*



3. The Handle Bush is now visible.



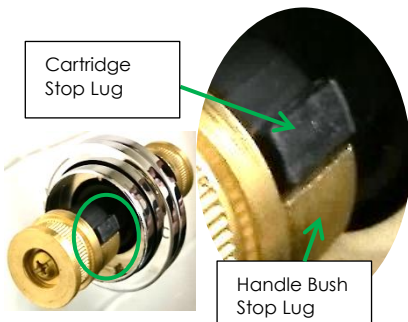
4. Using a Cross-head screwdriver remove the Handle Bush.



5. Now re-fit the Handle Bush so that the Stop Lug is **not** in contact with the Cartridge Stop Lug and rotate the Handle Bush fully clockwise until a 'click' is heard. Should the Stop Lugs come into contact before the click, simply remove the Handle Bush, turn it half a turn anti-clockwise, fit it back onto the cartridge and continue to rotate it clockwise. Repeat this process until you hear the click.

Now turn the shower on and allow it to run for approx. 30-40 seconds at which point it should be running cold. **(If at this point the shower is running hot, the hot and cold feeds to the shower have been plumbed the wrong way round. Please ring our Technical helpline on +44 (0)1282 446789 for assistance).**

Now rotate the Handle Bush anti-clockwise to increase the maximum temperature to your liking, by again removing and refitting the Handle Bush as many times as is required to avoid the Cartridge Stop Lug.



6. Once the shower is delivering the maximum desired temperature, turn the shower off and secure the Handle Bush back onto the Cartridge with the screw, ensuring the two Stop Lugs are together and that the Handle Bush cannot be turned any further anti-clockwise. This is important as this will prevent the shower from getting any hotter than the temperature you have just set it to.



7. Again using the 2.5mm Allen Key, secure the Temperature Handle onto the Handle Bush.

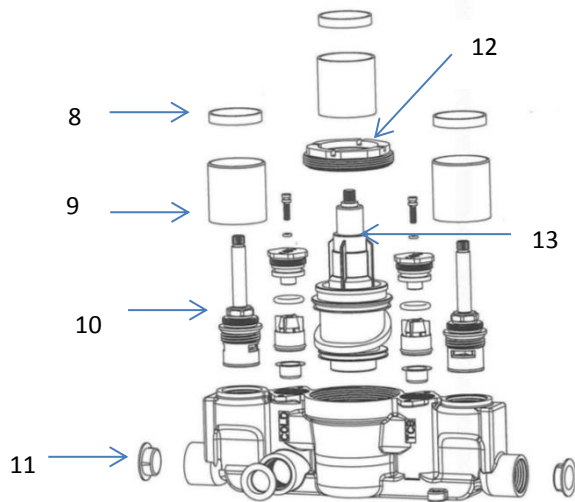


9. Re-fit the Temperature Handle Concealing cap.

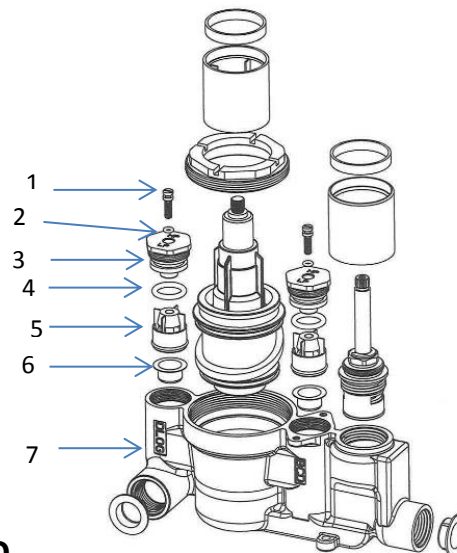
Your Product information

PARTS LIST			
	COMPONENTS	TWIN QUANTITY	TRIPLE QUANTITY
1	Sealing Screw	2	2
2	Sealing Screw O ring	2	2
3	Sealing Nut	2	2
4	Sealing Nut O ring	2	2
5	Check Valve	2	2
6	Strainer	2	2
7	Valve Body	1	1
8	Wear Strips	2	3
9	Chrome Collars	2	3
10	CD Valve	1	2
11	Plugs	3	4
12	Retaining Nut	1	1
13	Thermostatic Cartridge	1	1
*14	2.5mm Allen Key (supplied with Handles)	1	1

TWIN VALVE:



TRIPLE VALVE:



FAQ

SYMPTOMS	POSSIBLE CAUSE
Temperature issue. (Too hot/too cold/fluctuation)	<ol style="list-style-type: none"> 1. Maximum temperature needs adjusting. See Temperature Adjustment instruction. 2. Hot and cold water supplies are plumbed to the wrong sides of the valve. 3. Check Hot Water supply temperature. (Min 60°C) 4. Operating Conditions are incorrect. (Pressure/Temperature). 5. Check the system for any blockages (pipework debris). 6. Water is being drawn off at other outlets or appliances.
Flow issue. (No or poor flow)	<ol style="list-style-type: none"> 1. Check the system for any blockages (pipework debris). 2. Operating Conditions are incorrect. (Pressure/Temperature). 3. Valve shut-off has activated due to lack of cold water supply. 4. Check that both hot and cold isolation valves are fully open. 5. Ensure that the Check-valves are not sticking. 6. Check the inlet filters for blockage. 7. For Low Pressure Systems, please ensure the header tank is at least 1 metre above Head/Handset.
Leaking/dripping in the OFF position.	<ol style="list-style-type: none"> 1. Possible debris in the CD valve. 2. Possible retained water between the Shower and Head/Handset. (Allow several minutes for drainage).



Scan the QR code and select the "Twin and Triple Type Shower Calibration" video

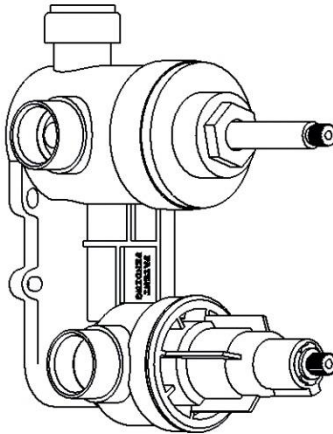
Handle & plate design
may vary depending on
model chosen



pioneer
tomorrow's technology today

Concealed Twin Control with Diverter Thermostatic Shower Valve

Installation & Operating Guide



Please leave this installation & user guide with the end user



**NB: DO NOT USE COMPRESSION FITTINGS TO CONNECT TO THE VALVE
PLEASE SEE THE PLUMBING CONNECTIONS SECTION BEFORE FITTING**

CONTENTS

1.	Important information	1
2.	Cleaning & Aftercare	2
3.	Box contents	2-3
4.	Dimensions	3
5.	Plumbing Connections	4
6.	Installation	5-6
7.	Temperature adjustment	6-7
8.	Conditions of use and Commissioning	8 - 9
9.	Fault diagnosis	10
10.	Contact Details	11

WORLDWIDE PATENTS

Great Britain 2399159
United States 6994266
European 1463982
China 1628275

1. IMPORTANT INFORMATION

- Thank you for purchasing this high quality Twin Control with Diverter Concealed Thermostatic Shower Valve. To ensure you get the very best use from this product, please read this installation guide thoroughly.
- This shower valves has separate controls for temperature & water diversion control, and has been designed for concealed wall installations. The product is suitable for use on all plumbing systems including gravity, pumped, fully modulating combination boilers and unvented systems.
- Please make sure that any auxiliary products (e.g. shower kits) are suitable for connection to this product. **NB: Do not use compression fittings to connect to the shower valve. Please see the Plumbing Connections section before fitting.**
- Debris in the pipe work can get into the cartridges. This is easily avoided by thoroughly flushing the pipe work **BEFORE** connecting the shower valve to the water supplies.
- This shower valve is suitable for use with all water supply systems up to a maximum dynamic water pressures of 5 bar (**balanced water pressures are desirable for best performance**). Pressures above this limit may require pressure reducing valves to be fit.
- This product must be installed in such a way that water damage is not caused during use. **We recommend that this product is fitted by a fully qualified installer. The installation must comply with all current water byelaws.**
- **NB. If you experience any difficulty with the installation or operation of your new shower valve, please refer to 'Fault Diagnosis' at the back of this guide.**

2. CLEANING & AFTER CARE

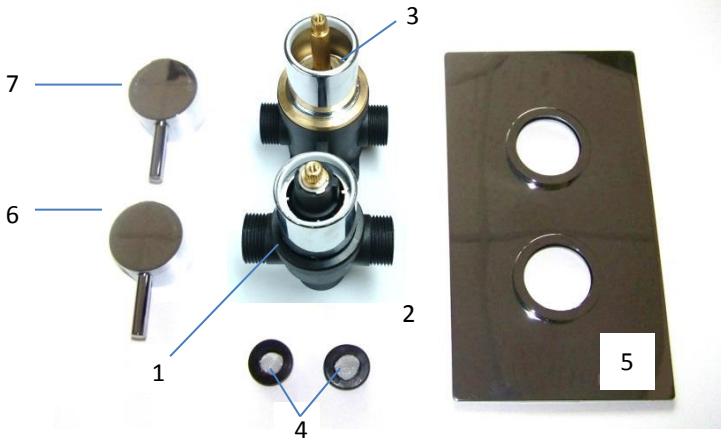
This product is made using high quality chrome plating, and this should be maintained using a clean damp cloth. No abrasive agents or materials should be used and **any misuse will invalidate your guarantee.**

This precision made thermostatic shower valve will continue to give years of use provided it has been installed & operated in accordance with these fitting instructions. Failure to do this will invalidate any guarantees.

The main body of this shower valve is 100% recyclable. Please make sure that at the end of the products operative life, it is disposed of in accordance with current local authority recycling guidelines.

3. BOX CONTENTS

Please note: Handles & plate may vary depending on the model supplied.



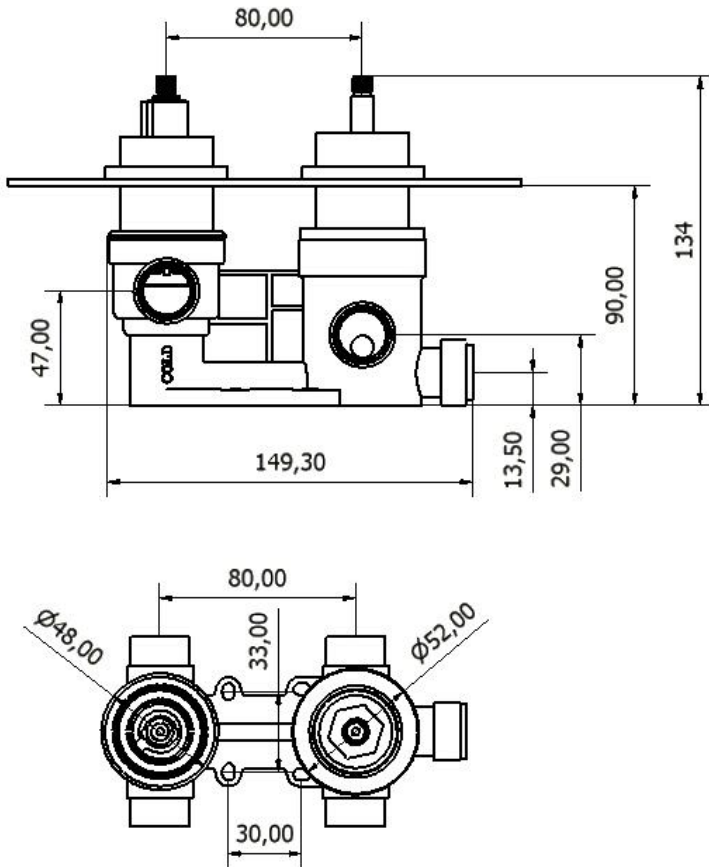
1. Main thermostatic shower valve body.
2. Chrome temperature control sleeve.
3. Chrome flow control sleeve.
4. Filter washers x 2 (for use with flat faced connectors).
5. Chrome concealing plate.
6. Chrome thermostatic control handle.
7. Chrome flow control handle.

Other things you will require which are not supplied include (this is not an exhaustive list):

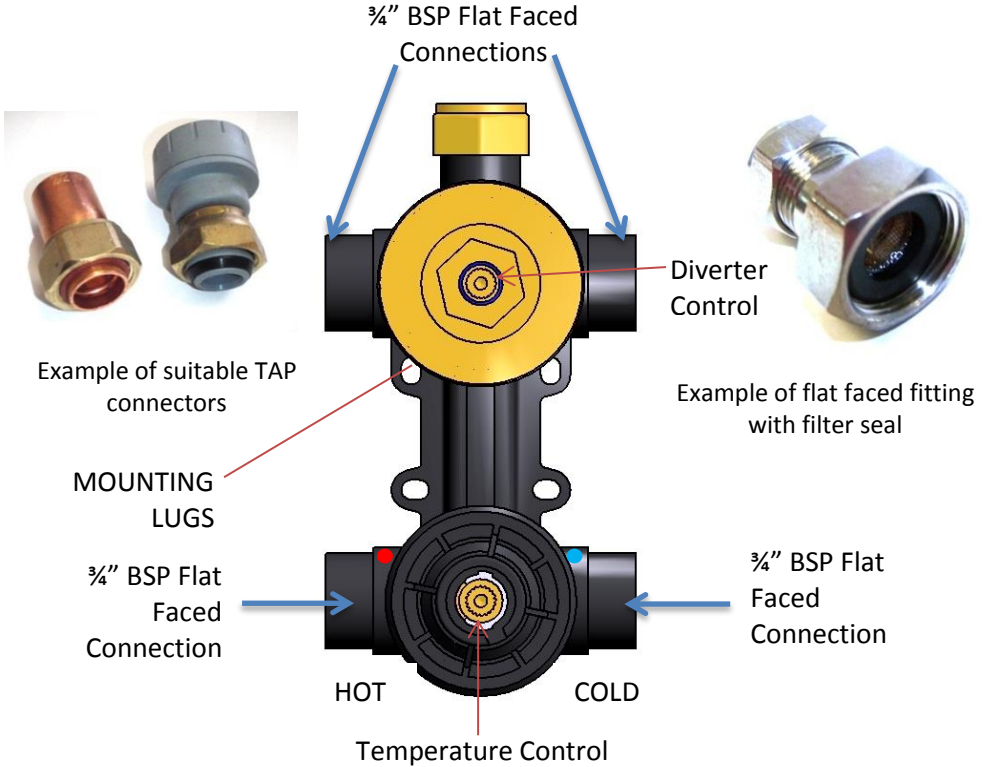
Suitable wall fixings, isolating valves & non-return (check) valves, screwdrivers, an adjustable wrench, a bucket (for flushing out pipework), a thermometer, silicone, a spirit level and 3 No. $\frac{3}{4}$ " BSP flat faced connectors.

4. DIMENSIONS

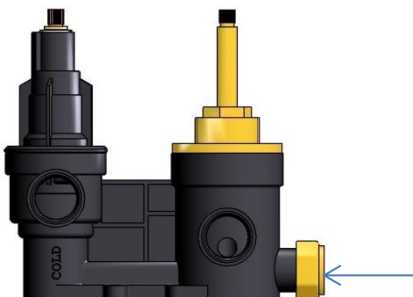
ALL DIMENSIONS ARE APPROXIMATE



5. PLUMBING CONNECTIONS



DO NOT UNDER ANY CIRCUMSTANCES USE COMPRESSION FITTINGS TO CONNECT TO THE INLETS & OUTLET OF THIS VALVE. THE INLETS & OUTLET ARE FLAT FACED CONNECTIONS AND ARE NOT DESIGNED TO TAKE COMPRESSION FITTINGS



DO NOT REMOVE

This cap is glued in place and should never be removed

6. INSTALLATION INSTRUCTIONS

1. Please consult the Conditions of use and commissioning section before installation. Remove the chrome sleeves from the shower valve body, and leave to one side in a safe place.
2. Isolation valves must be fit on the HOT & COLD water supply lines for servicing purposes. Please fit these in an easily accessible place so that the water can be isolated for servicing.
3. Please fit non return valves (check valves) to the HOT & COLD inlet pipework also. These are not supplied.
4. A recess is required to fit the valve into. The cover plate should be able to cover the recess. **The recess should have a flat area at the bottom to mount the valve onto.** The recess depth will depend on the handle and plate set supplied and how far you wish the handles to extrude from the wall. Please see the Dimensions Section.
5. Using cap-head type screws, screw through the holes in the mounting lugs and secure the valve to the flat surface. Do not over tighten the screws.
6. Please make sure the valve body is mounted to the correct depth from the finished wall surface. When the cover plate is off there should be enough room to access the valve for servicing.
7. **Before the pipework is connected to the valve, make sure the pipework is thoroughly flushed through to remove any debris from the system. Failure to do so could invalidate the guarantee.**
8. Now that the valve is in place, please connect the valve to the pipework. The pipework should be connected to the valve using $\frac{3}{4}$ " flat faced connections (see Plumbing Connections Section). **DO NOT ATTEMPT TO FIT COMPRESSION FITTINGS ON TO THE INLETS OF THE VALVE. THE INLETS ARE NOT DESIGNED TO TAKE COMPRESSION FITTINGS.** The hot and cold sides are clearly marked.
9. You can now connect the outlet to the pipework using a $\frac{3}{4}$ " flat faced connector. **DO NOT ATTEMPT TO FIT A COMPRESSION FITTING ON TO THE**

OUTLET OF THE VALVE. THE OUTLET IS NOT DESIGNED TO TAKE COMPRESSION FITTINGS.

10. Turn on the water supply and check for leaks.
11. Check the max water temperature from the terminal fitting with a thermometer. The recommended maximum terminal outlet temperature is 41°C. If the water temperature is not suitable please see the Temperature Adjustment Section.
12. The valve can now be commissioned. Please see the Conditions of Use & Commissioning section.
13. Re fit the chrome sleeves to the shower body.
14. Apply a small bead of silicone behind the chrome concealing plate (this will give a water tight seal so water cannot ingress into the wall cavity). Slide the plate into position over the chrome sleeves, and fit up against the finished wall surface.
15. Fit the chrome control handles. The thermostatic control handle is clearly marked with H & C.
16. Your shower valve is now ready for use.

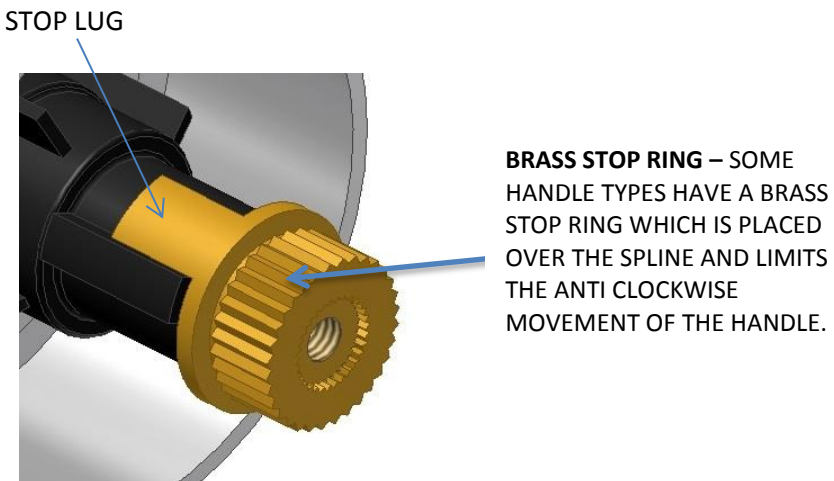
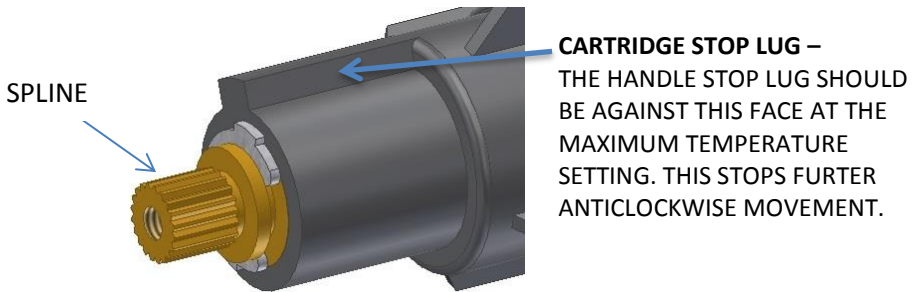
7. TEMPERATURE ADJUSTMENT

1. Remove the handle on the thermostat control. The removal method will differ depending on the handle type. The spline or Brass Stop Ring will now be exposed.
2. If there is a Brass Stop Ring present please remove it. Then turn the shower flow control fully on.
3. If the shower is too cold then turn the spline anti-clockwise. If the handle is too hot then turn the spline clockwise. Let the water temperature stabilise after every adjustment. We recommend a max temperature of 41°C. **The mixed water temperature at the terminal fitting must never exceed 46°C.**

- When the temperature is correct, turn the flow control off. Do not move the spline again until after the handle is secured in place. The max temperature is now set and any movement of the spline will alter the temperature.
- Depending on your handle type the temperature will be limited by a handle with an in built stop lug or by a separate Brass Stop Ring. Please see the diagrams below.

The handle can now be put back in place. **When the Handle/Brass Stop Ring is being placed over the spline, please ensure that the Stop Lug is against the cartridge Stop Lug preventing the handle from being turned any further anti clockwise. This prevents the shower valve from reaching a temperature that is higher than the set point.**

- The handle can now be fixed in place. The shower should have a safe maximum showering temperature.



8. CONDITIONS OF USE & COMMISSIONING

Conditions of use:

	High Pressure	Low Pressure
Maximum Static Pressure – Bar	10	10
Flow Pressure, Hot & Cold - Bar	0.5 to 5	0.1 to 1
Hot Supply Temperature - °C	55 to 65	55 to 65
Cold Supply Temperature - °C	Equal to or Less than 25°	Equal to or less than 25°

NOTE: Valves operating outside these conditions cannot be guaranteed to work as designed.

Designation of use:

High Pressure Shower.

Low Pressure Shower.

Recommended outlet temperatures

We recommend the following set maximum mixed water outlet temperatures for use in all premises:

44°C for bath fill but see notes below;

41°C for showers;

41°C for washbasins;

38°C for bidets.

The mixed water temperatures must never exceed 46°C. The maximum mixed water temperature can be 2°C above the recommended maximum set outlet temperatures.

Note:

46°C is the maximum mixed water temperature. The maximum temperature takes account of the allowable temperature tolerances inherent in thermostatic mixing valves and temperature losses in metal baths. It is not a safe bathing temperature for adults or children. The British Burns Association recommends 37 to 37.5°C as a comfortable bathing temperature for children. In premises covered by the Care Standards Act 2000, the maximum mixed water outlet temperature is 43°C. The thermostatic mixing valve will be installed in such a position that maintenance of the TMV and its valves and the commissioning and testing of the TMV can be undertaken.

The fitting of isolation valves is required as close as is practicable to the water supply inlets of the thermostatic mixing valve.

The fitting of strainers is recommended as close as is practicable to the water supply inlets of the thermostatic mixing valve.

Commissioning notes for Thermostatic Mixing Valves.

The first step in commissioning a thermostatic mixing valve is to check the following:

1. The supply pressures are within the valves operating range.
2. The supply temperatures are within the valves operating range.
3. Isolating valves (and strainers preferred) are provided.

If all these conditions are met, proceed to set the temperature as stipulated in the manufacturer installation instructions.

It is a requirement that all valves shall be verified against the original set temperature results once a year. When commissioning/testing is due the following performance checks shall be carried out.

Measure the mixed water temperature at the outlet.

Carry out the cold water supply isolation test by isolating the cold water supply to the TMV, wait for five seconds if water is still flowing check that the temperature is below 46°C. If there is no significant change to the set outlet temperature ($\pm 2^\circ\text{C}$ or less change from the original settings) and the fail-safe shut off is functioning, then the valve is working correctly and no further service work is required.

Note:

If there is a residual flow during the commissioning or the annual verification (cold water supply isolation test), then this is acceptable providing the temperature of the water seeping from the valve is no more than 2°C above the designated maximum mixed water outlet temperature setting of the valve.

Temperature readings should be taken at the normal flow rate after allowing for the system to stabilise.

The sensing part of the thermometer probe must be fully submerged in the water that is to be tested.

Any TMV that has been adjusted or serviced must be re-commissioned and re-tested in accordance with the manufacturers' instructions.

The installation of thermostatic mixing valves must comply with the requirements of the Water Supply (Water Fittings) Regulations 1999.

9. FAULT DIAGNOSIS

FAULT	POSSIBLE CAUSE
After installation, shower only runs HOT or COLD.	<ol style="list-style-type: none"> 1. Hot and cold water supplies are plumbed to the wrong sides of the valve. The valve body needs to be plumbed so that the hot supply goes to the hot side of the valve.
Shower will not run hot enough when first installed.	<ol style="list-style-type: none"> 1. Check Hot Water supply temperature. 2. Maximum temperature needs adjusting. See Temperature Adjustment section above. 3. Operating Conditions are incorrect. 4. Blockage in hot side of the system.
Hot water in cold & vice versa	<ol style="list-style-type: none"> 1. Make sure serviceable in line check valves have been fitted (not supplied). Check & clean them if they are already installed.
Low or no flow from the Valve	<ol style="list-style-type: none"> 1. Possible blockage in the system. 2. Operating Conditions are incorrect. 3. Valve being obstructed by debris. 4. Valve shut off has activated due to Operating Conditions.
Leak from valve in the off position	<ol style="list-style-type: none"> 1. Debris has gotten into the Diverter valve.
Fluctuating Flow Rate	<ol style="list-style-type: none"> 1. Possible blockage in the system. 2. Operating conditions are incorrect. 3. Dynamic inlet pressures are not balanced. 4. Shuttle assembly is faulty.

10. CONTACT DETAILS

Please do not contact Customer Care until the Fault Diagnosis Chart has been consulted. Please ensure the valve has been installed within the recommended operating conditions. If you still require assistance please contact customer care using the details below:



Ultra Finishing Ltd,
Widow Hill Road,
Heasandford Industrial Estate,
Burnley, Lancashire,
BB10 2BQ.
Customer Care Tel: 01282 446789

