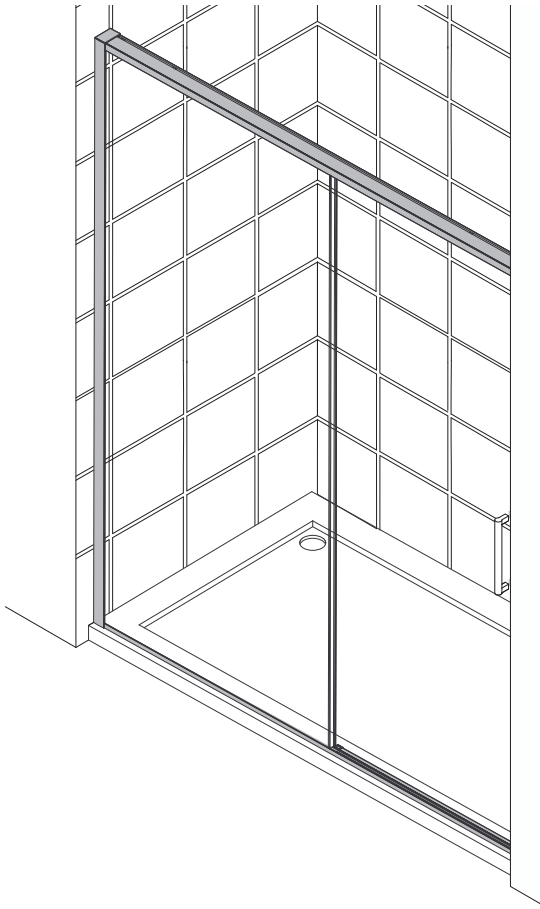


## Frameless Sliding Door - Alcove



These instructions must be left with the user

**Note!** For instructions on installing a sliding door enclosure, please disregard this guide and refer to the guide packed with side panel.

---

# Installation Guide

---

# Introduction

---

Thank you for purchasing a quality product. To enjoy the full potential of your new product, please take time to read this guide thoroughly, having done so, keep it handy for future reference.

The following pages aim to provide comprehensive installation instructions, plus advice on how to care and maintain your product.

We recommend that the unit is installed by a qualified plumber or engineer.

## General Information

---

### General

1. Read all of these instructions and retain this guide for later use.
2. Pass on this guide in the event of change of ownership of the installation site.
3. Follow all warnings, cautions and instructions contained in this guide.
4. Remove all protective tape from the enclosure before installation.
5. Excessive flow rates may lead to overflowing and leaking.
6. Water Spray may extend beyond the entrance of walk-in enclosures and we recommend tiling of the adjacent area.
7. We recommend a drainage test is carried out to ensure the waste is adequate for the flow delivered.
8. Doors that open outwards may drip water onto floor, ensure the floor covering will not be affected by water.
9. Walk ins and divider panels are designed to minimise water escaping outside the enclosure but by their very nature are not fully water tight.

### Safety Information

1. Care should be taken when drilling into walls and floors to avoid any hidden pipes or wires.
2. We strongly recommend that all glass panels are moved by a minimum of two people and that any protective packaging along the glass edges is kept in place for as long as possible to prevent damage before installation.
3. During installation we recommend additional help in lifting heavy doors and side panels.
4. Wear protective footwear when lifting panels.
5. Wear safety glasses when drilling.

---

## Before Fitting the Enclosure

1. Ensure the tray is level and walls are vertical and square.
2. Shower fittings should be positioned such that water discharges down the centre line of a bath or across the opening of a shower cubicle door.
3. Ensure water is not directed at the shower door or side panels. This could result in water spraying outside of the enclosure.
4. Ensure the door opening is positioned correctly and is adequate for all users.
5. Ensure there is a complete silicone seal between the tray and finished wall.
6. Ensure the door is undamaged and no parts are missing.
7. Ensure the size of door/panel is suitable for the installation. Tempered safety glass cannot be cut.
8. Ensure nothing can impact the door or glass panels during operation.
9. **Total build height need to be a minimum of 2200 mm.**

## When Fitting the Enclosure

1. The wall channels must be installed onto a tiled or waterproof finished flat and even wall surface. Failure to do so will result in an unsatisfactory seal, which may cause property damage.
2. We recommend our enclosures are fitted onto shower trays.  
**Warning!** The use of grout/tile cleaners, scale removers, abrasive scourers, drain unblockers and other powerful detergents may lead to damage of metallic, plated and plastic surfaces, including the tray and shower waste.

## Use of the Enclosure

1. High water pressure and flow may lead to excessive splashing causing water to escape outside of the enclosure.
2. In certain circumstances such as cleaning, water sprayed directly at the seals may escape outside of the enclosure.

# Guarantee

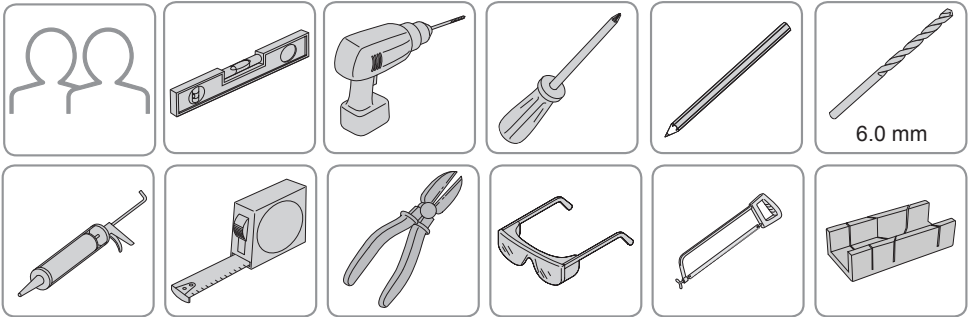
---

Your enclosure has the benefit of our guarantee which starts from date of purchase. For terms and conditions refer to the guarantee booklet packed with the product.

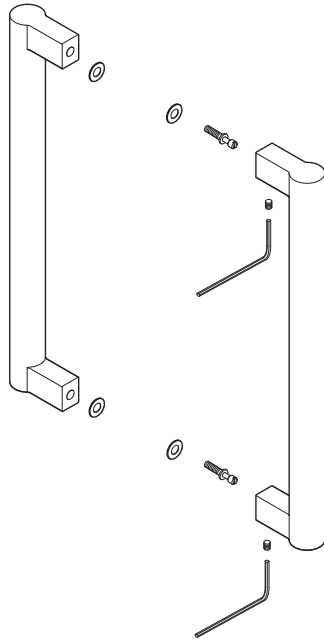
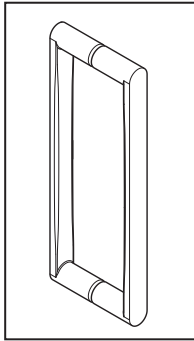
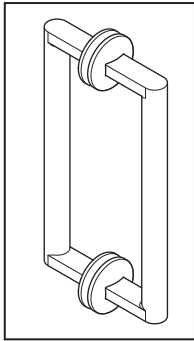
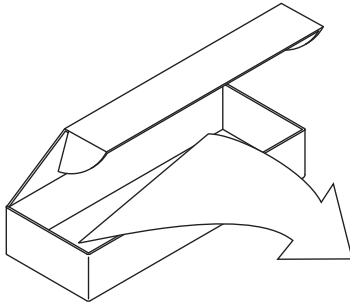
# Recommended Usage



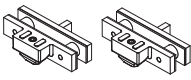

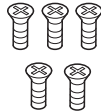

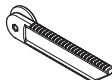


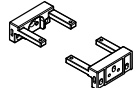


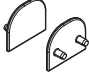

Domestic	✓
Light Commercial	✓
Heavy Commercial	✗
Healthcare	✗

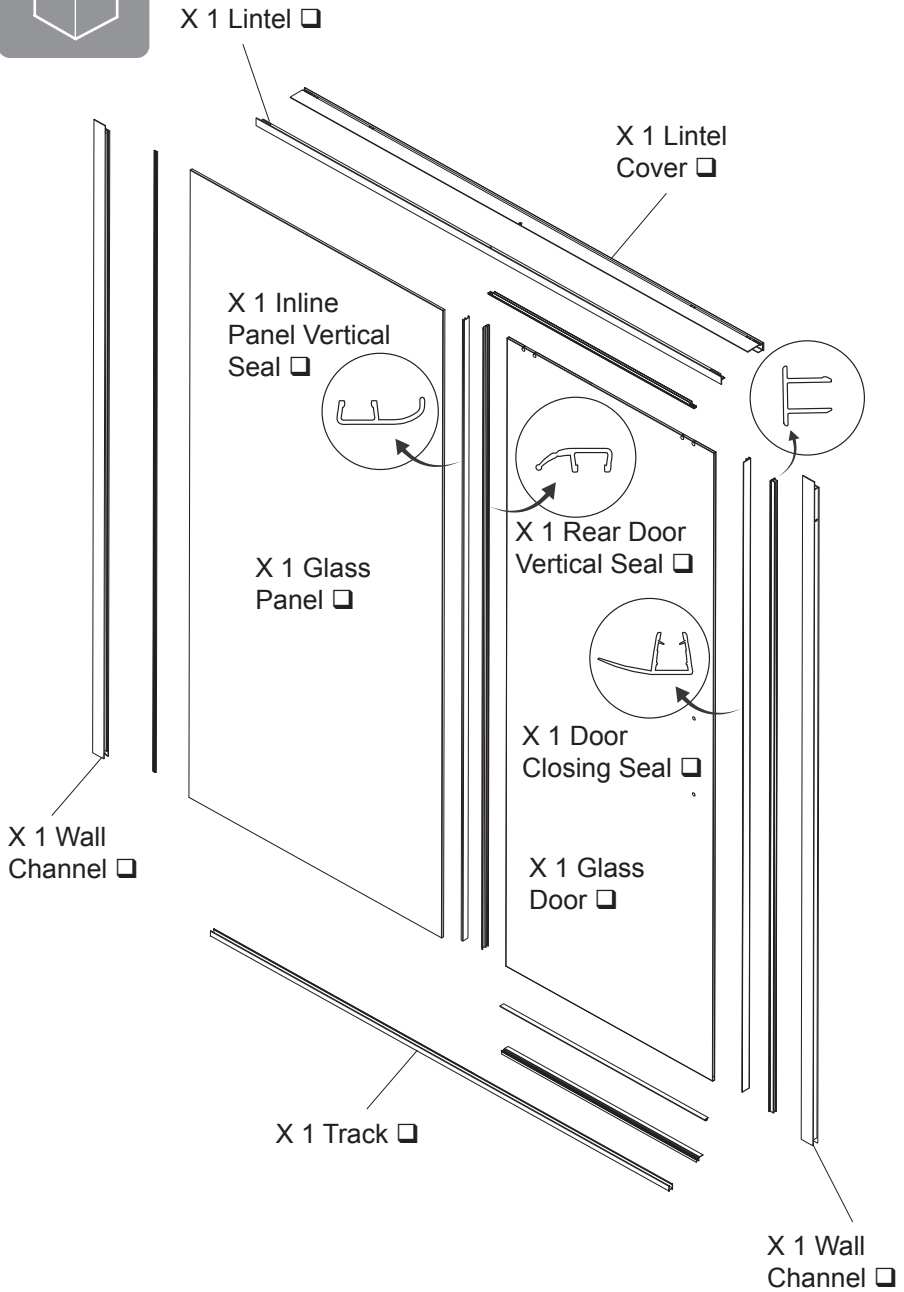
# Tools Required



# Pack Contents



				
X 12 □	X 12 □	X 2 □	X 1 □	X 5 □
				
X 2 □	X 1 □	(2.5 mm) X 1 □	X 2 □	X 2 □
				
X 1 □	X 1 □	X 2 □	X 2 □	

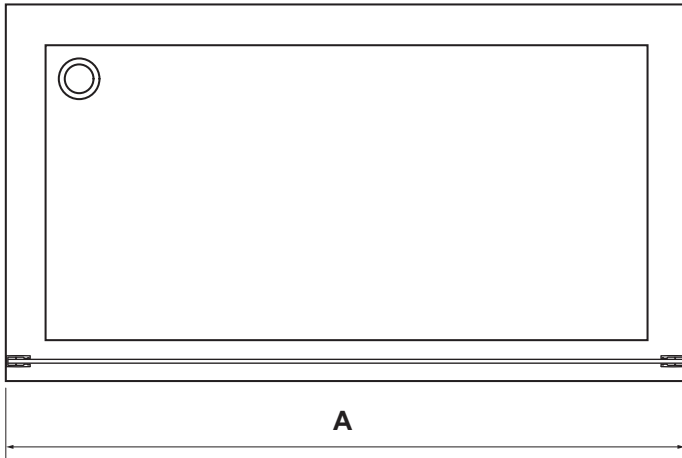


# Adjustment Dimensions

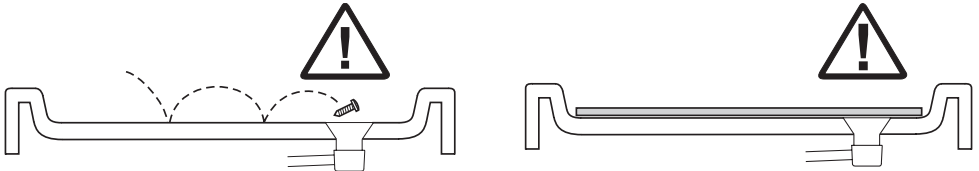
Measurements are taken from tiled surface to tiled surface

Enclosure Width (A)			
Enclosure Width	Min	Max	Adjustment
1100	1060	1100	40
1200	1160	1200	40
1400	1360	1400	40
1500	1460	1500	40
1600	1560	1600	40
1700	1660	1700	40

All measurements shown are in mm



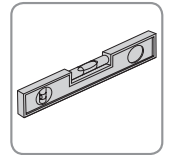
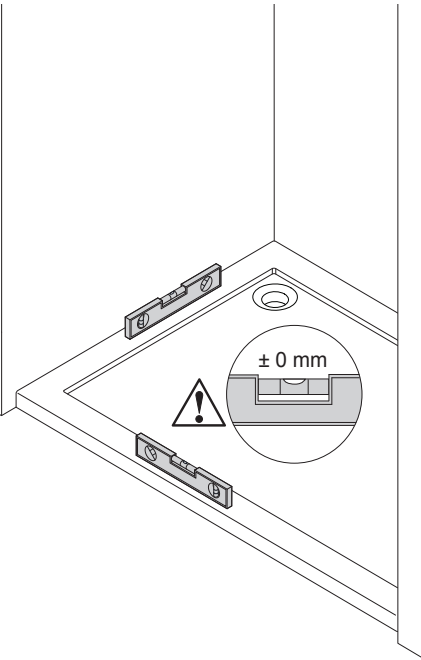
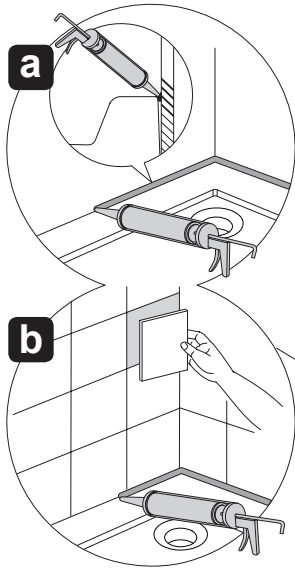
# Installation



**Note!** Cover the tray waste to prevent the loss of small parts.

**Note!** Protect the tray surface during enclosure installation.

**1**



**Note!** Make sure that the walls have been tiled down to the tray. Make sure the tray is level. Make sure the walls are flat and square.

**(a)** Install the shower tray in accordance with the manufacturer's instructions.

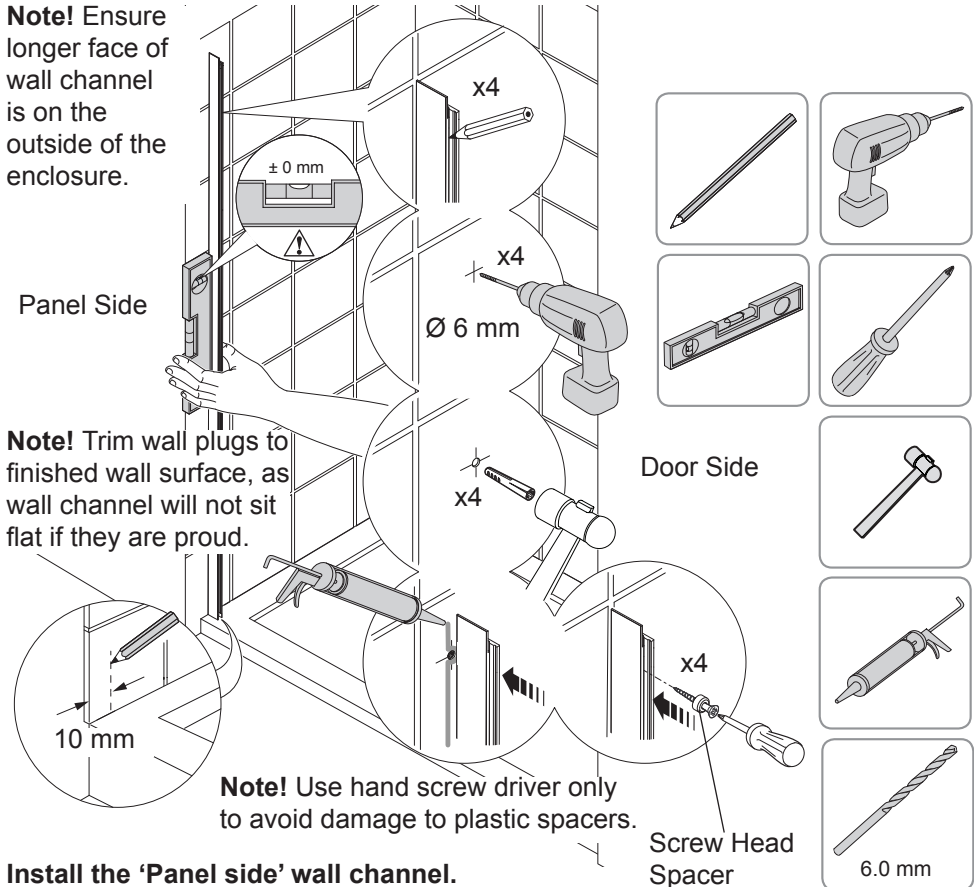
**Caution!** Make sure that the shower tray is level and that the walls are vertical and square.



2

Firstly you must make the decision which orientation you wish to install your sliding door. For this example we have the inline panel on the left and the door on the right., please reverse if you wish your door/panel to be orientated in the opposite direction.

**Note!** Ensure longer face of wall channel is on the outside of the enclosure.



### Install the 'Panel side' wall channel.

- Position the wall channel on the wall. Using a spirit level make sure that it is upright.
- Mark the position of the fixing holes, then remove the wall channel.
- Drill with a 6 mm masonry bit (not supplied) and plug using the wall plugs (supplied).
- Position the wall channel on the wall and partially install the fixing screws. Ensure that the screw head spacers are fitted to the screws.
- Apply silicone sealant according to the manufacturers instructions along the length of the wall and at the bottom of the wall channel.
- Ensure spacers are on the screws. Fully tighten the fixing screws, making sure that the wall channel is upright.

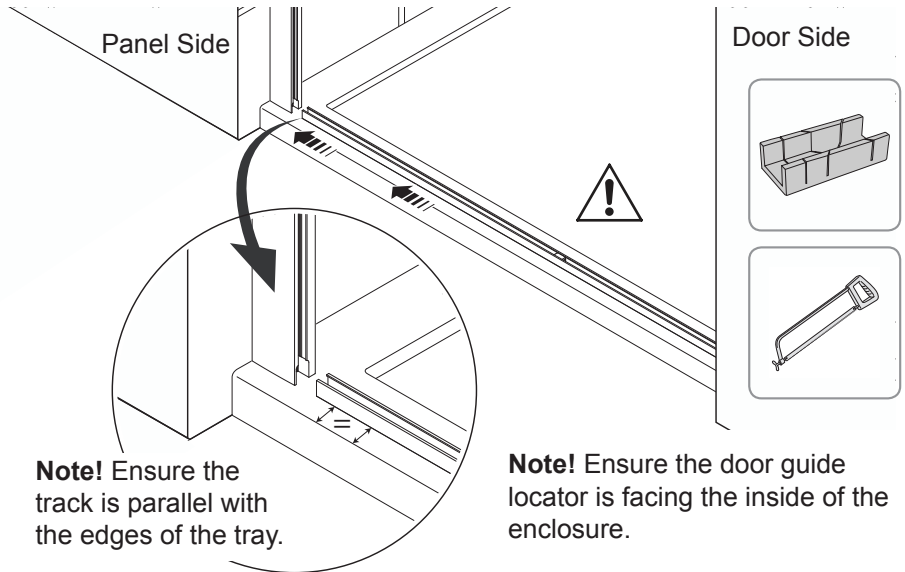
**3**

**Fitting the track.**

**Note!** For 1600 and 1700 mm slider, you **MUST** cut the track by 100 mm from the **door side**.

**Note!** You can install the slider with the door on the left or the right. Make sure that the track is cut to suit the applicable end.

**a**

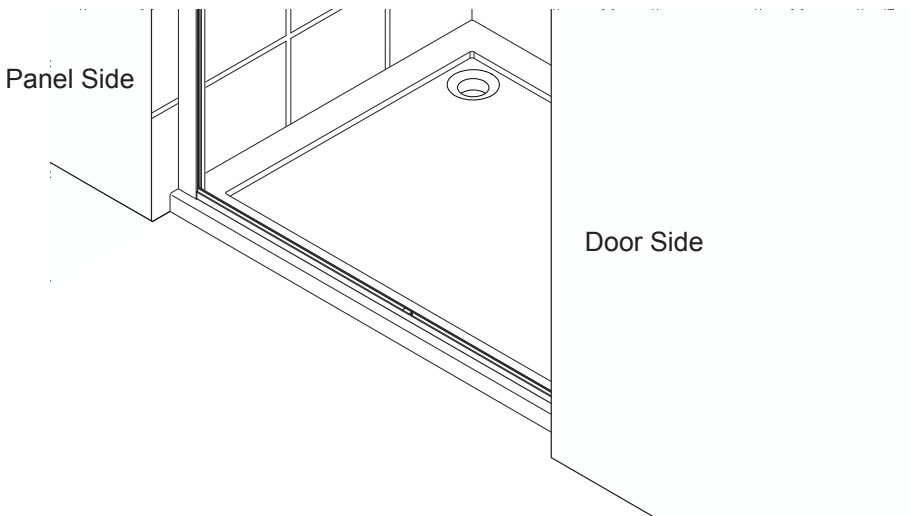


**Note!** Ensure the track is parallel with the edges of the tray.

**Note!** Ensure the door guide locator is facing the inside of the enclosure.

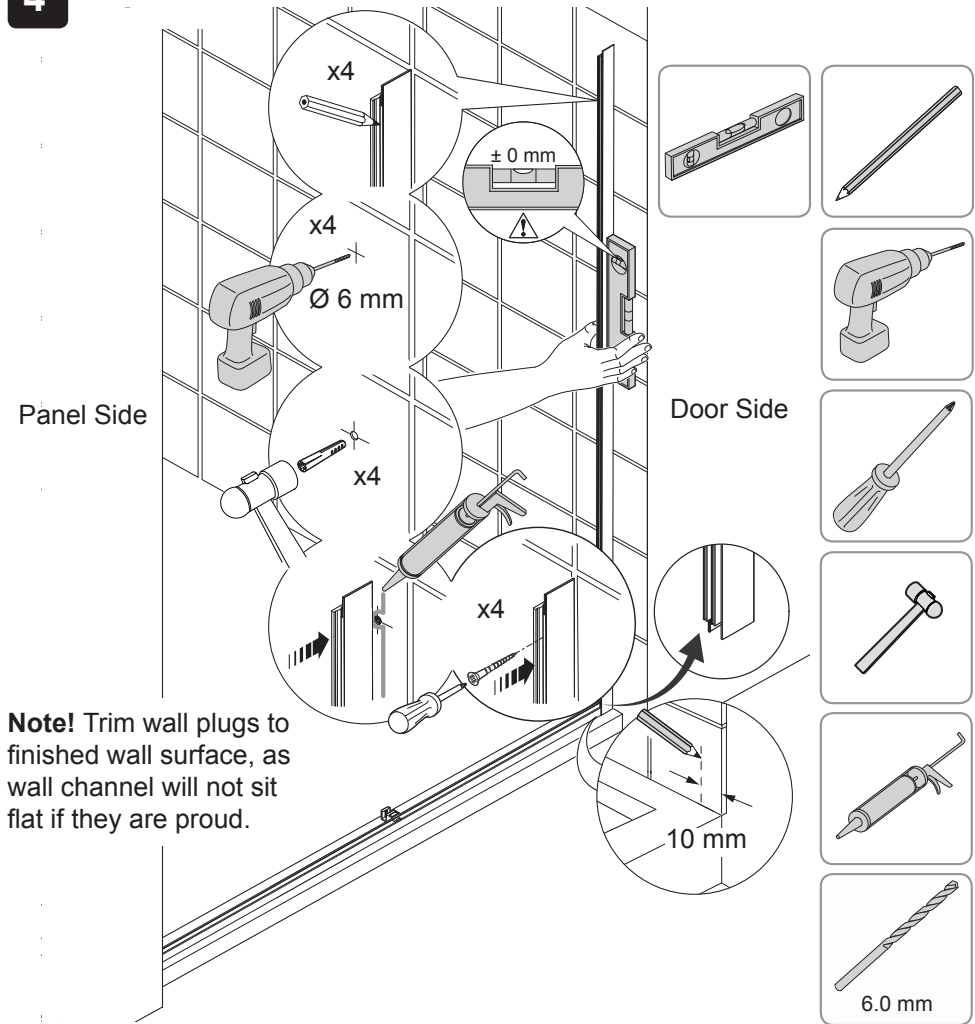
- (a) Remove the liner from the 3M tape on the underside of the track.
- (b) Ensure that the track is positioned equidistant between the two wall channels and that it sits comfortably inside each.

**b**



4

**Note!** Ensure longer face of wall channel is on the outside of the enclosure.



#### Install the 'Door side' wall channel.

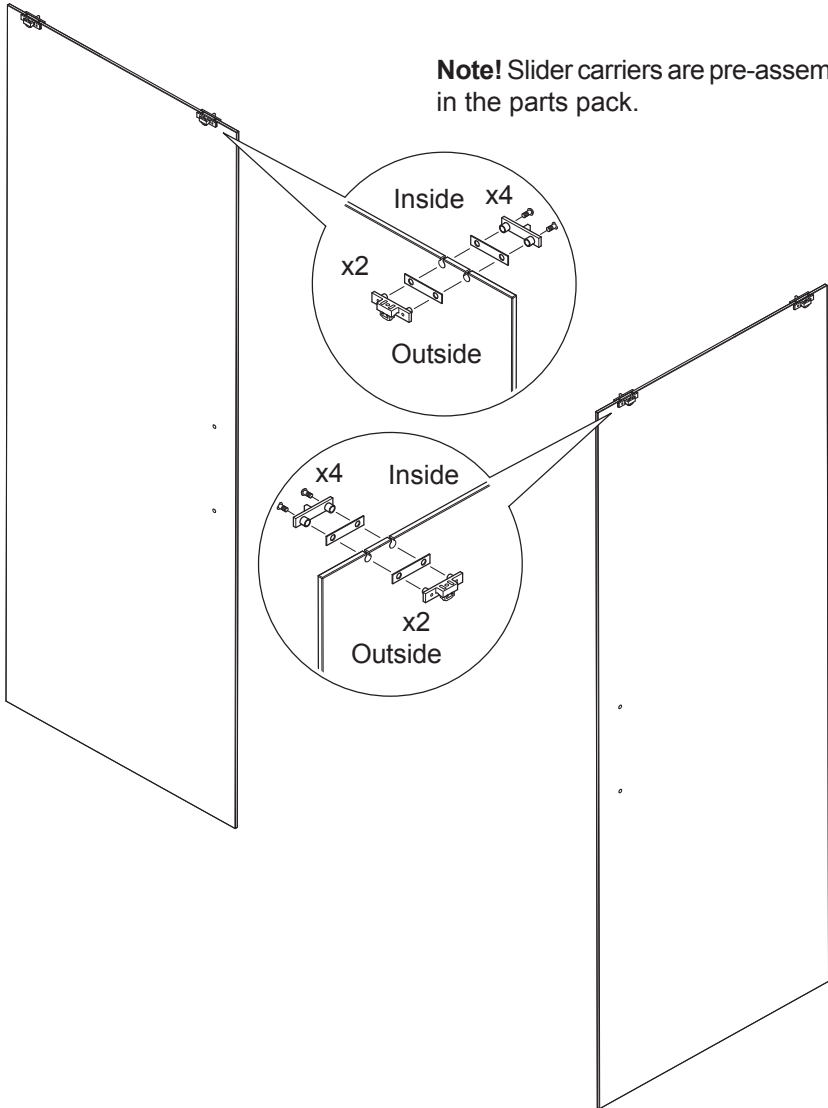
- Position the second wall channel on the wall. Using a spirit level make sure that it is upright.
- Mark the position of the fixing holes, then remove the wall channel.
- Drill with a 6 mm masonry bit (not supplied) and plug using the wall plugs (supplied).
- Position the wall channel on the wall and partially install the fixing screws.
- Apply silicone sealant according to the manufacturers instructions along the length of the wall and at the bottom of the wall channel.
- Fully tighten the fixing screws, making sure that the wall channel is upright.

**5**

Fit the Slider Carriers to the glass door as shown below. The door is reversible and the Slider Carriers can be fitted in either orientation. **The door will always open onto the inline panel.** Ensure you install the door glass in the correct orientation to suit your enclosure handing.



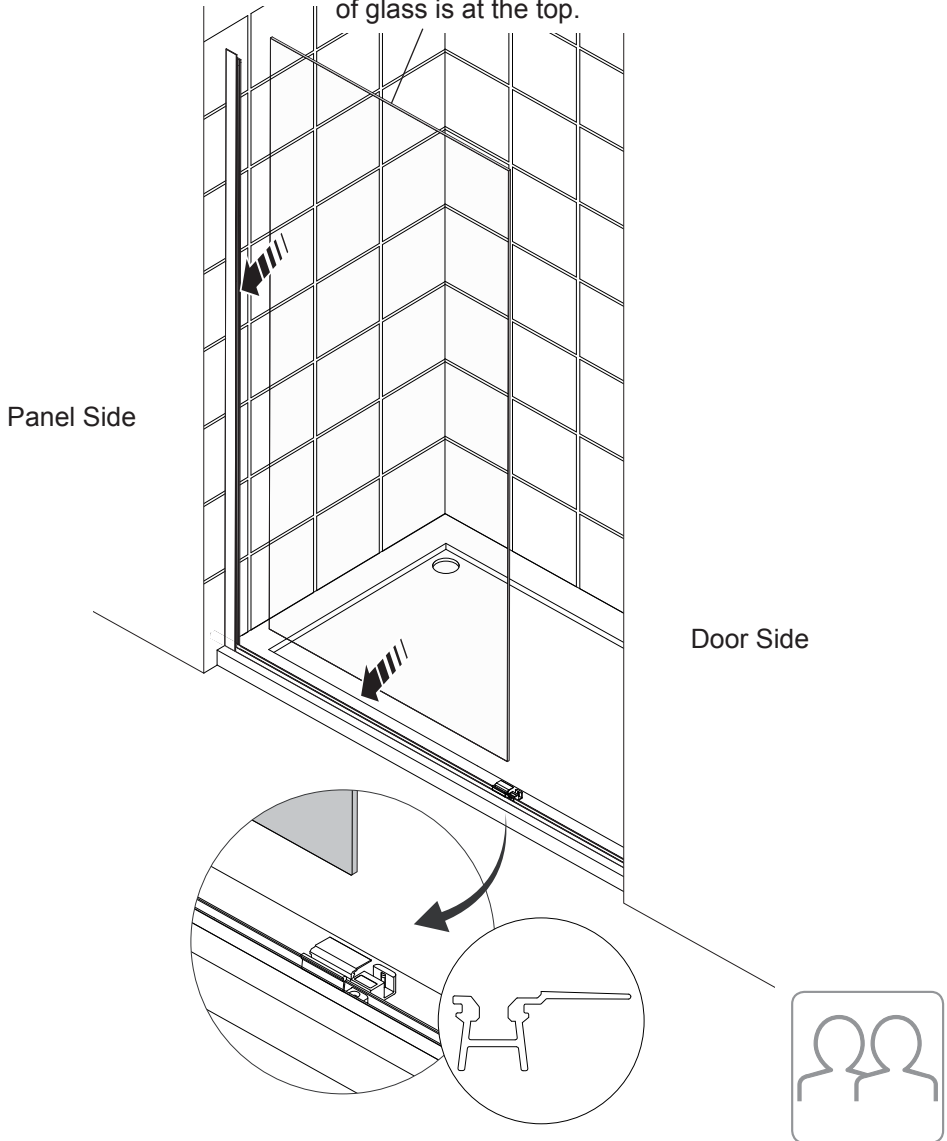
**Note!** Slider carriers are pre-assembled in the parts pack.



**Note!** To aid assembly, place the assembled door inside the enclosure prior to the fixed panel being installed.

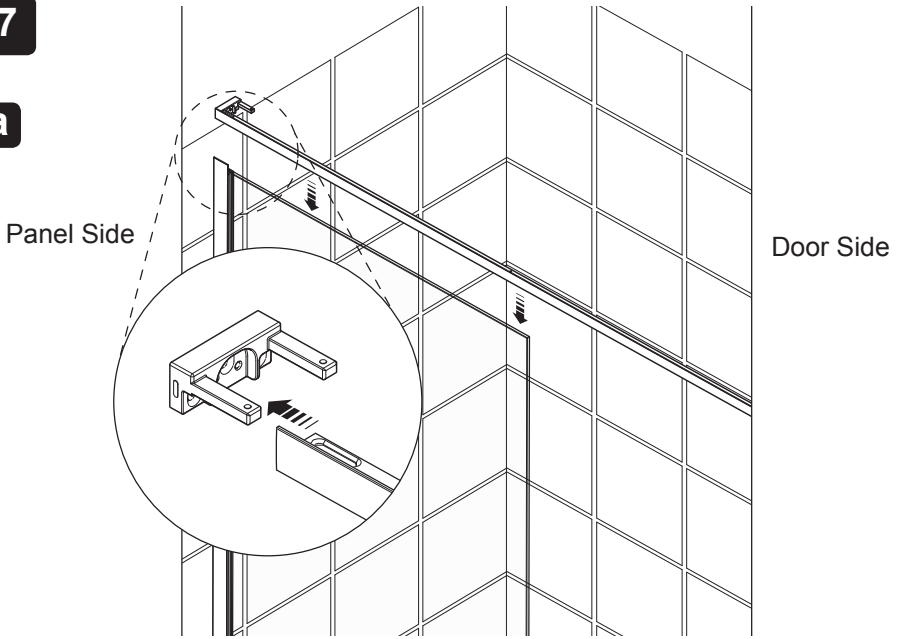
6

**Note!** Ensure the panel is orientated so the taped edge of glass is at the top.

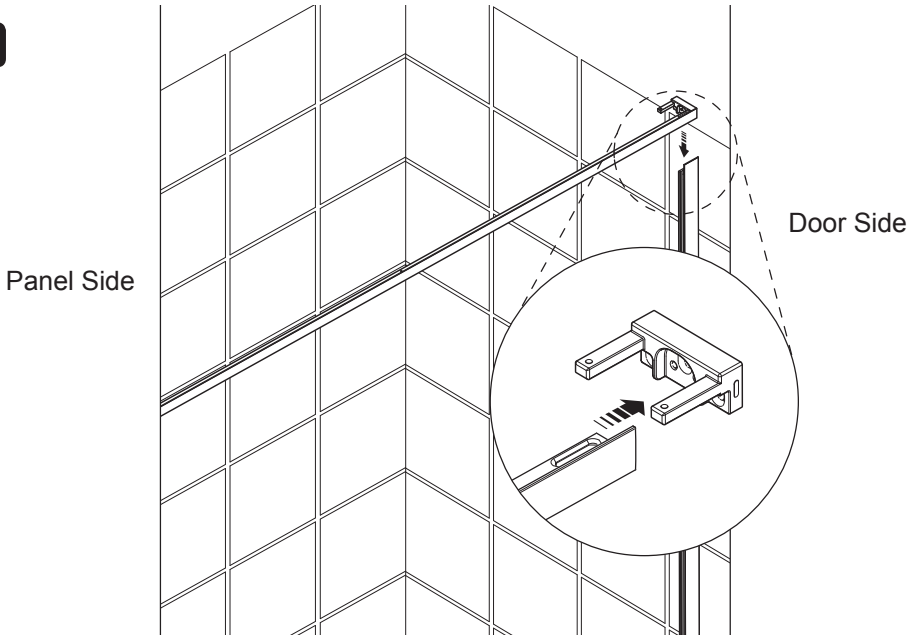


7

a

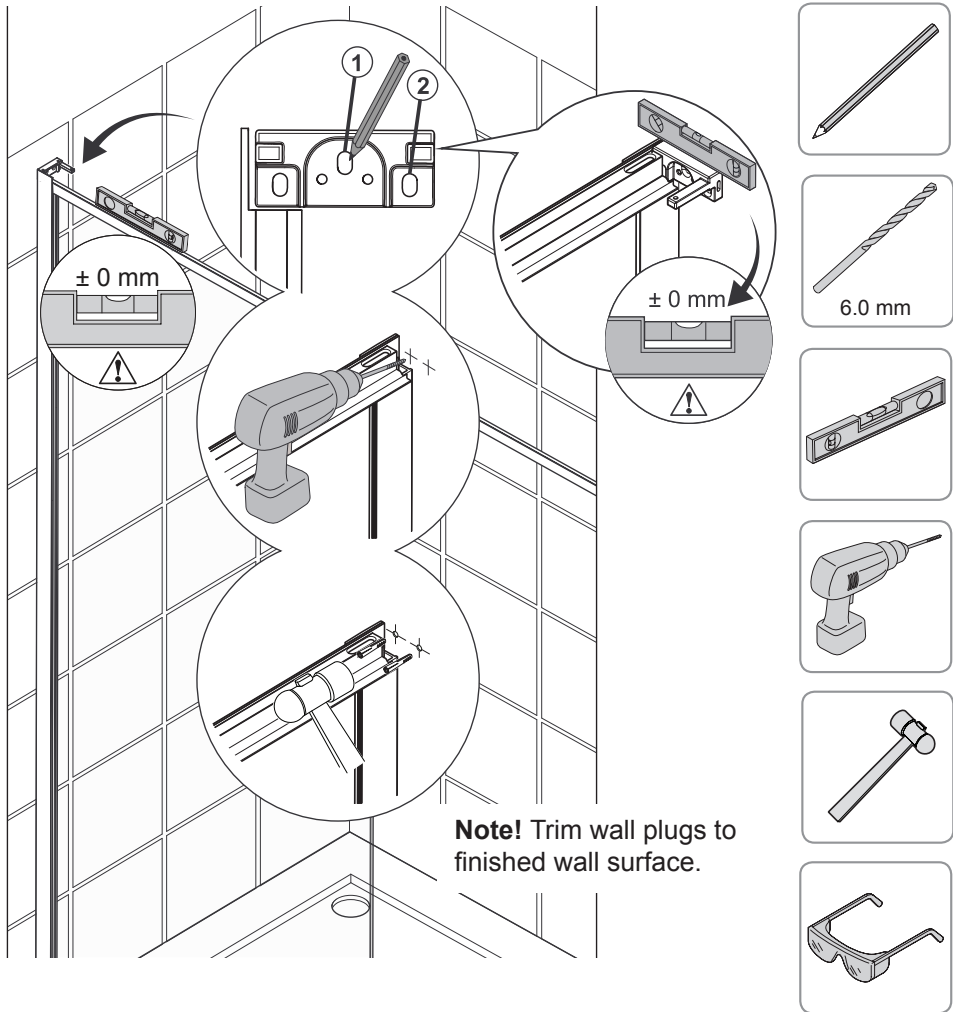


b



- (a) Insert the wall brackets into each end of the lintel. **(Note: This is a tight fit.)**
- (b) Place the lintel onto the inline panel glass making sure that it locates correctly. Do not install the screws at this stage.

8

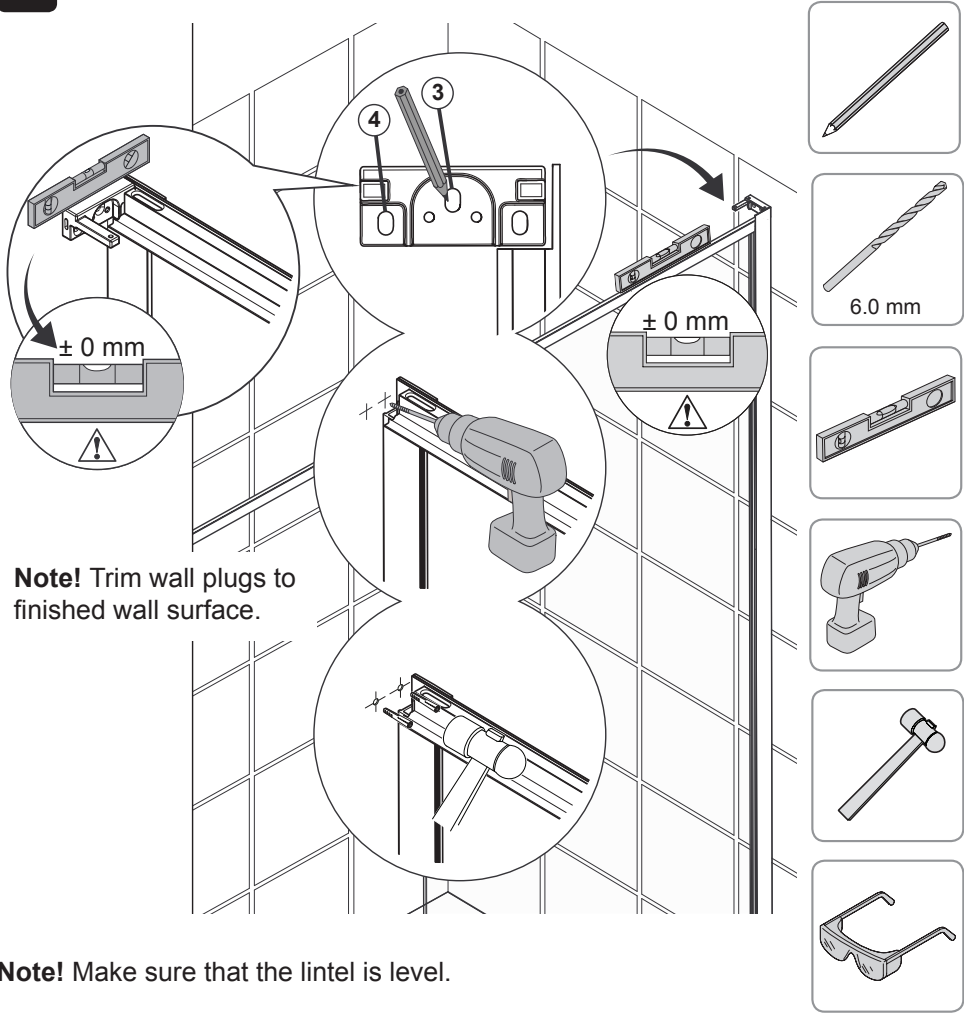


**Note!** Make sure that the lintel is level.

**Note!** Make sure the orientation of the bracket is correct and it is level.

- (a) Using a spirit level make sure that the lintel and the wall bracket are upright.
- (b) Mark the position of the fixing holes marked 1 and 2, and the other two holes marked 3 and 4 at the other end (refer to step 9).
- (c) Remove the wall bracket and the lintel.
- (d) Drill the holes 1 and 2 with a 6 mm masonry bit (not supplied) and plug using the wall plugs (supplied).

9



**Note!** Trim wall plugs to finished wall surface.

**Note!** Make sure that the lintel is level.

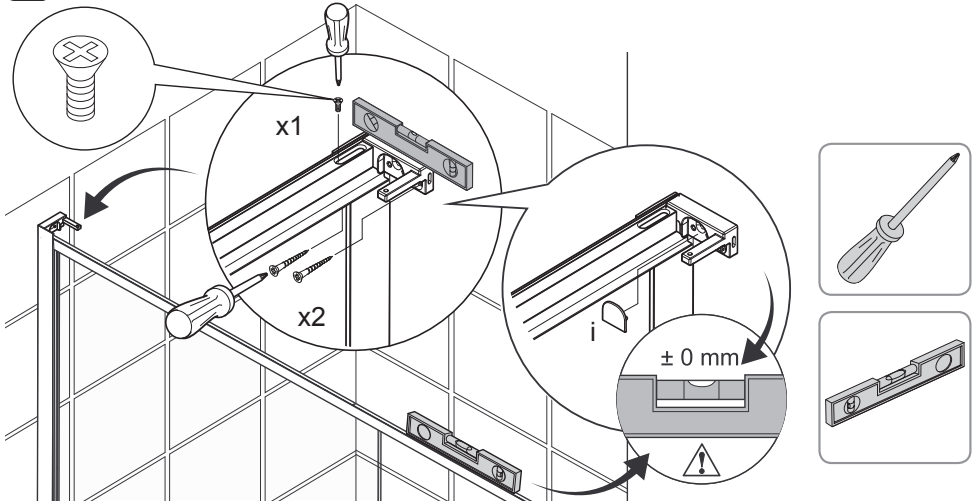
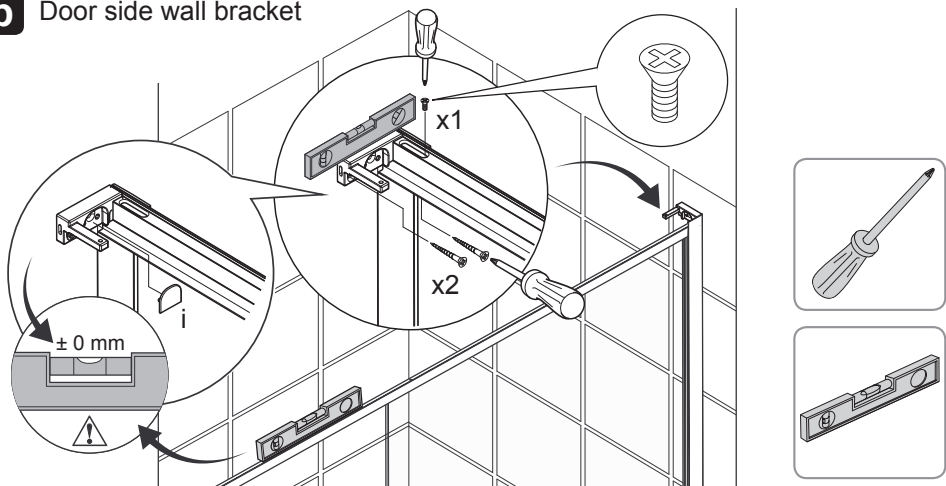
**Note!** Make sure the orientation of the bracket is correct.

- (a) Remove the wall bracket and the lintel.
- (b) Drill the holes 3 and 4 with a 6 mm masonry bit (not supplied) and plug using the wall plugs (supplied).



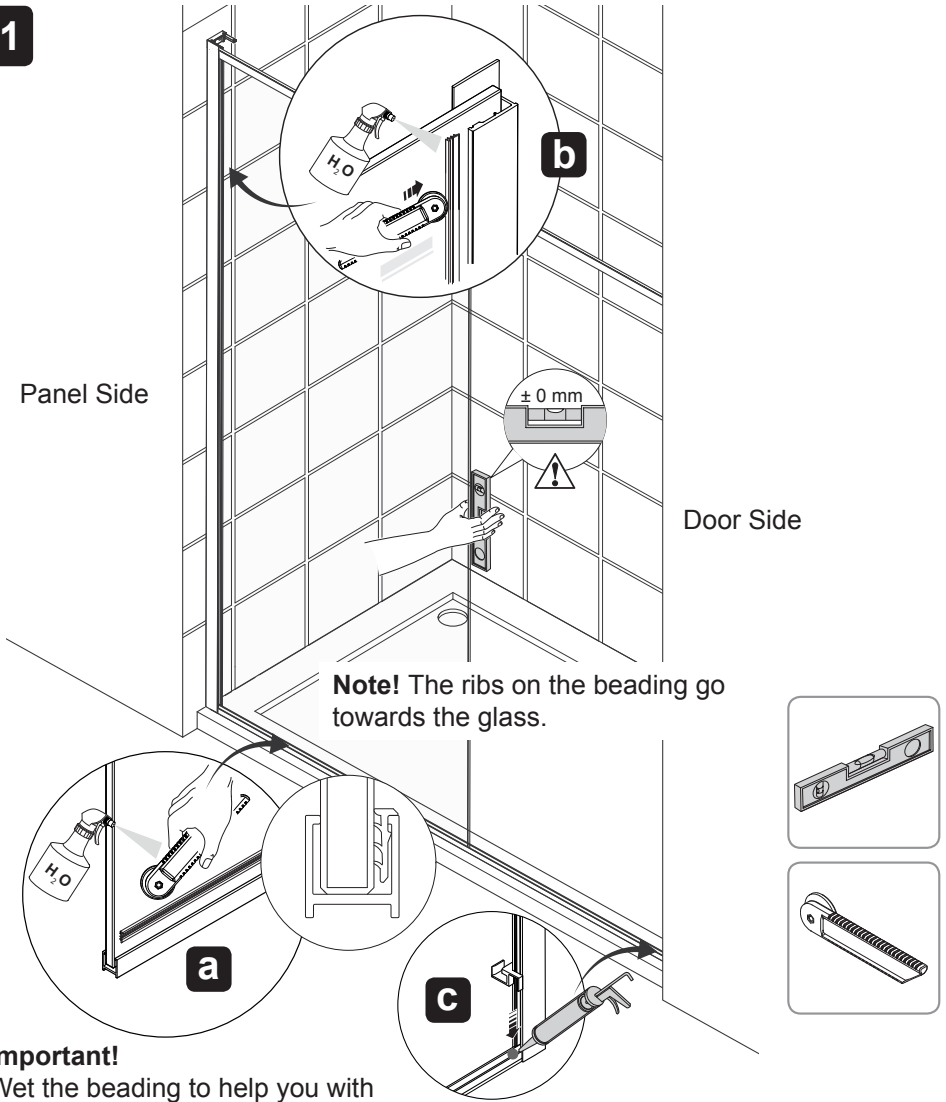
**10****a** Panel side wall bracket

**Note!** There is an adjustment slot to allow the lintel to be centralised between the two wall brackets/channels.

**b** Door side wall bracket

- (a) Fix the wall brackets in previously marked holes using the screws (supplied).
- (b) Using a spirit level make sure that the lintel and the wall brackets are upright.
- (c) Secure the lintel onto the wall brackets using the screws (supplied).
- (d) Fit the wall bracket cover (i) after fitting the screws.

11



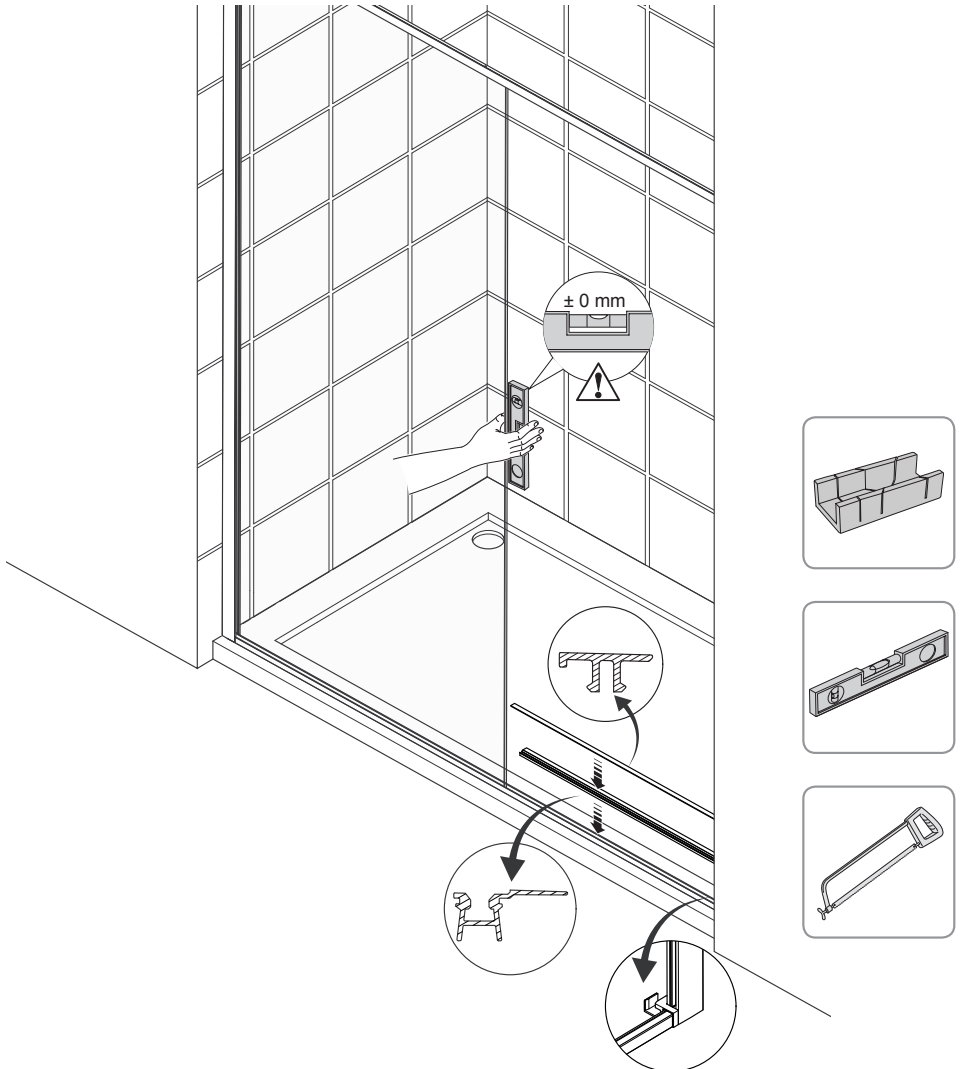
**Note!** The ribs on the beading go towards the glass.

**Important!**

Wet the beading to help you with installation.

- (a) Install the horizontal beading into the fixed panel, cut to the length of the glass.
- (b) Install the vertical beading into the fixed panel starting from the bottom, cut to the height to the inside of the aluminium wall channel.
- (c) Fit the closing guide onto the track (use appropriate hand for your enclosure configuration). Apply a blob of silicone underneath the guide where it contacts the tray.

12



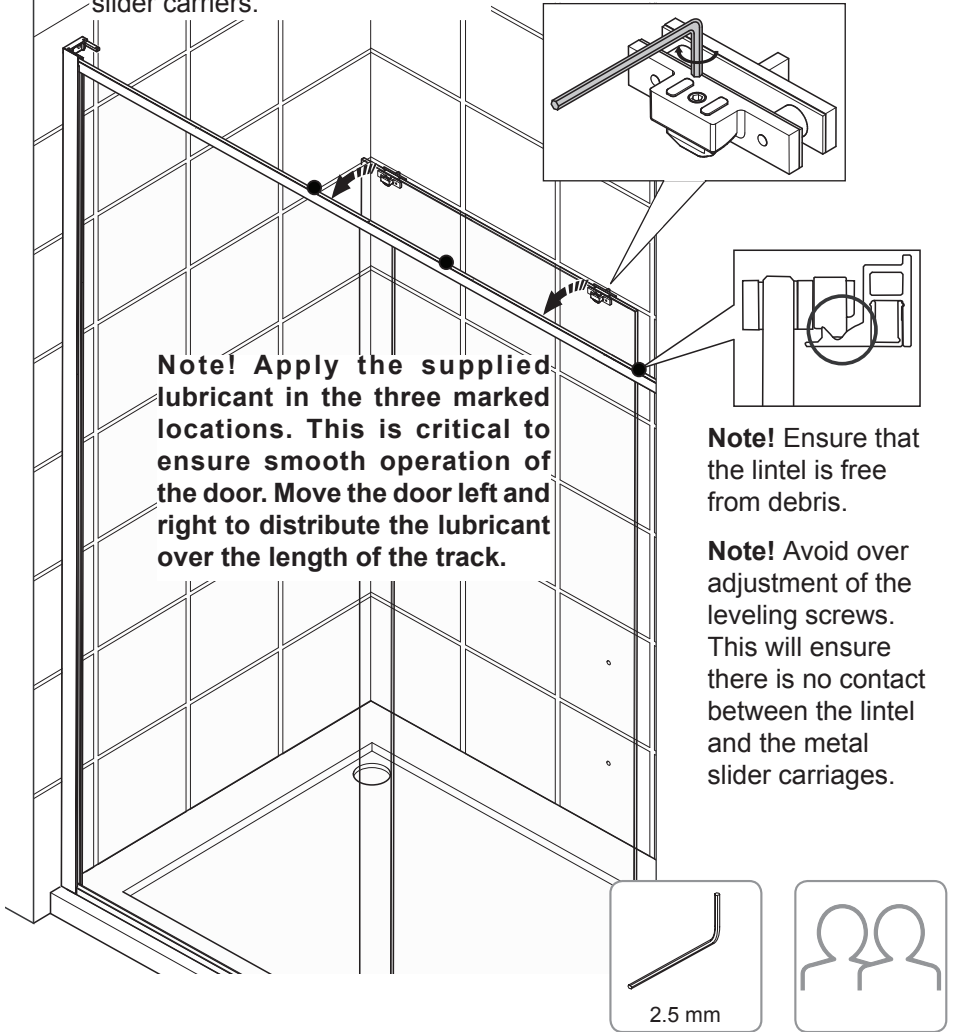
- (a) Install the long splash-guard into the track (the fin facing inside the enclosure). The long splash-guard will need to be cut to length (measure between the two guides).
- (b) Measure the cover strip and cut to length with a hacksaw. It will fit between the end of the inline glass panel and the closing guide. The small lip will face the outside of the enclosure.
- (c) Push and click the cover strip into the place.

13

a

**Note!** Level the door using levelling screws on the top of the slider carriers.

Lower Door - Anti clockwise  
Raise Door - Clockwise

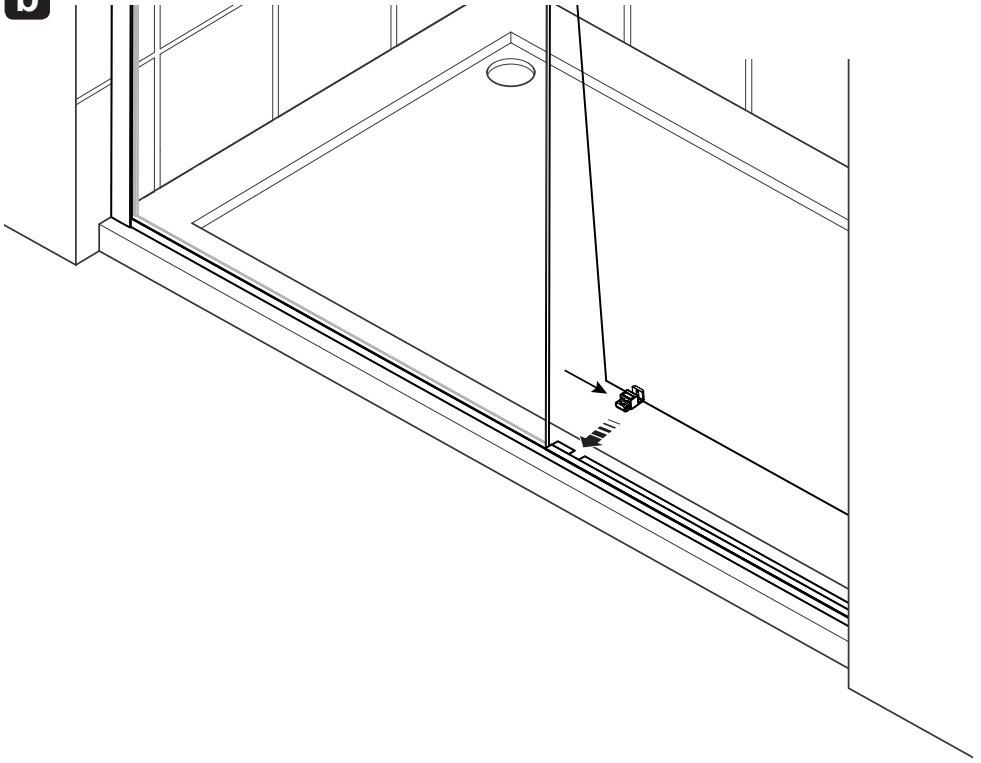
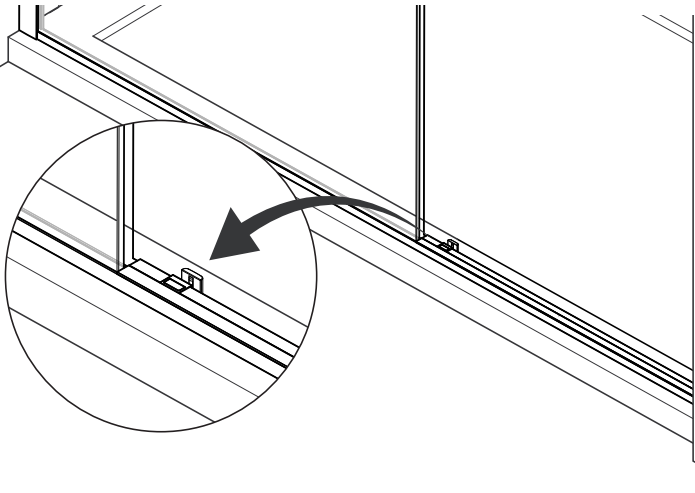


**Note!** Apply the supplied lubricant in the three marked locations. This is critical to ensure smooth operation of the door. Move the door left and right to distribute the lubricant over the length of the track.

**Note!** Ensure that the lintel is free from debris.

**Note!** Avoid over adjustment of the leveling screws. This will ensure there is no contact between the lintel and the metal slider carriers.

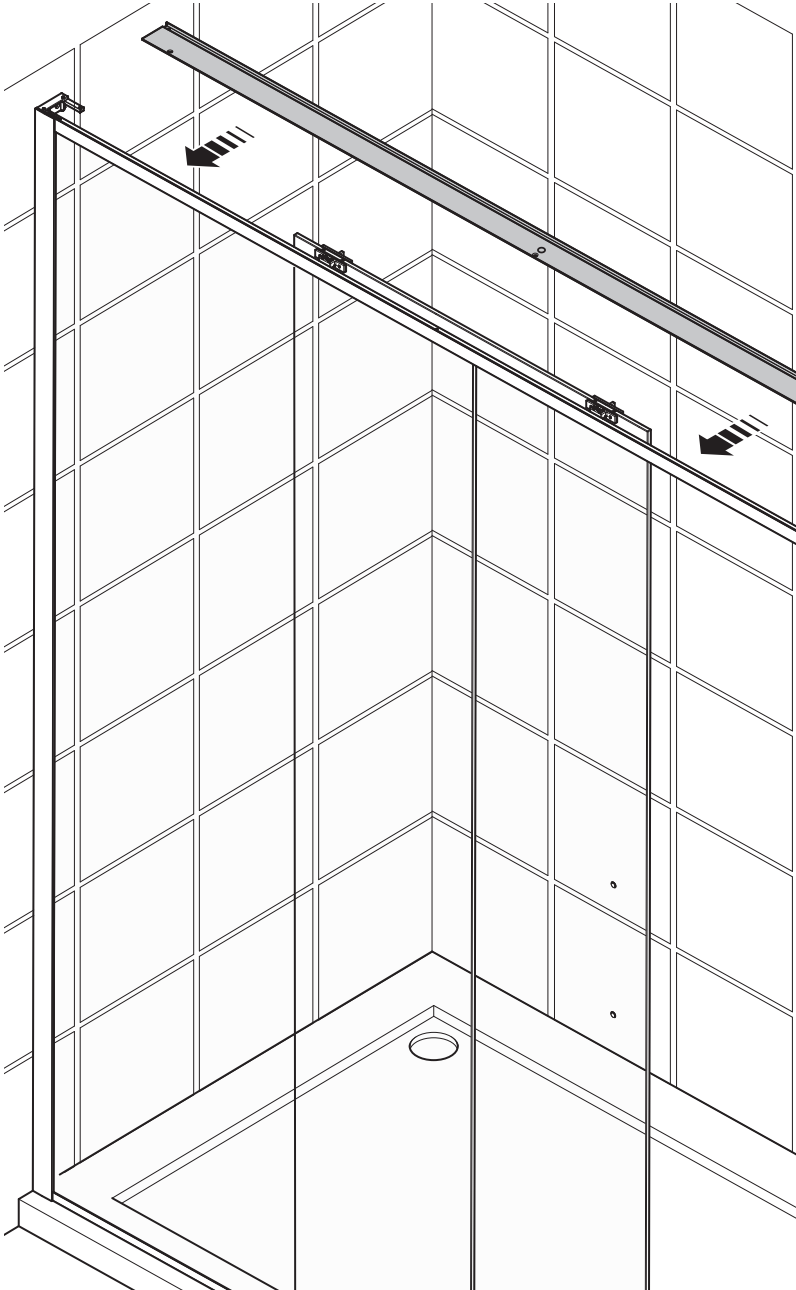
- (a) Turn the sliding door (pre-installed with carriers) so that it is in the correct orientation.
- (b) Mount the sliding door on the top lintel.
- (c) Adjust the sliding door level by rotating the adjustment screws on the top of the door.
- (d) Apply the supplied lubricant within the trackway of the lintel at the 3 spots detailed above. Move the door left and right to distribute the lubricant.

**b****c**

- (a) Slide the glass guide assembly along the bottom of the door and then push it into the locator on the track (between the two splash seals).

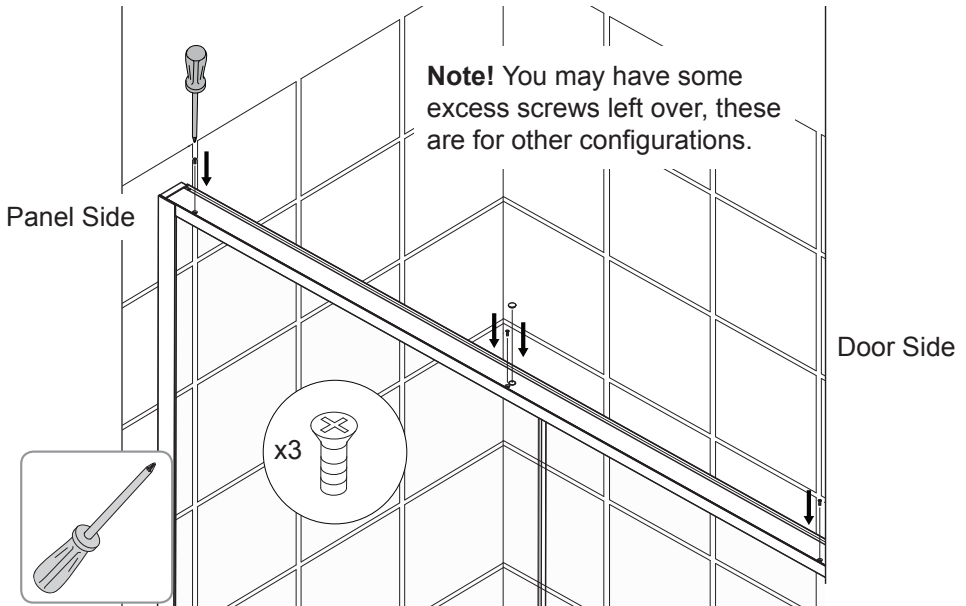
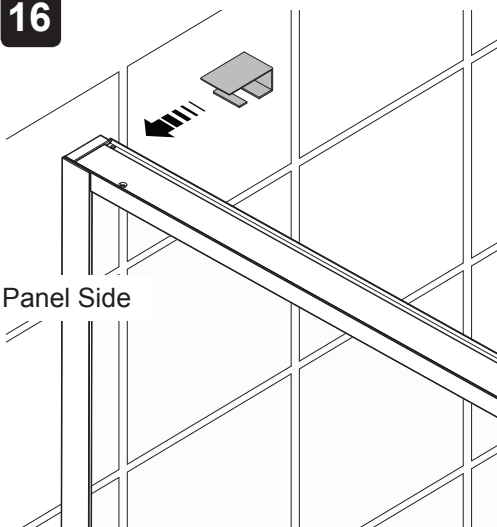
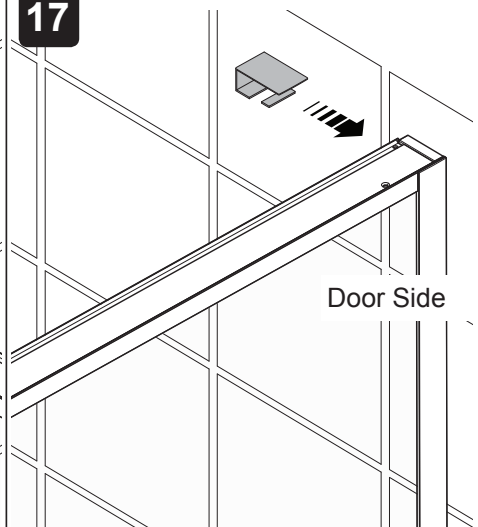
14

Slide the lintel cover into place as illustrated below.



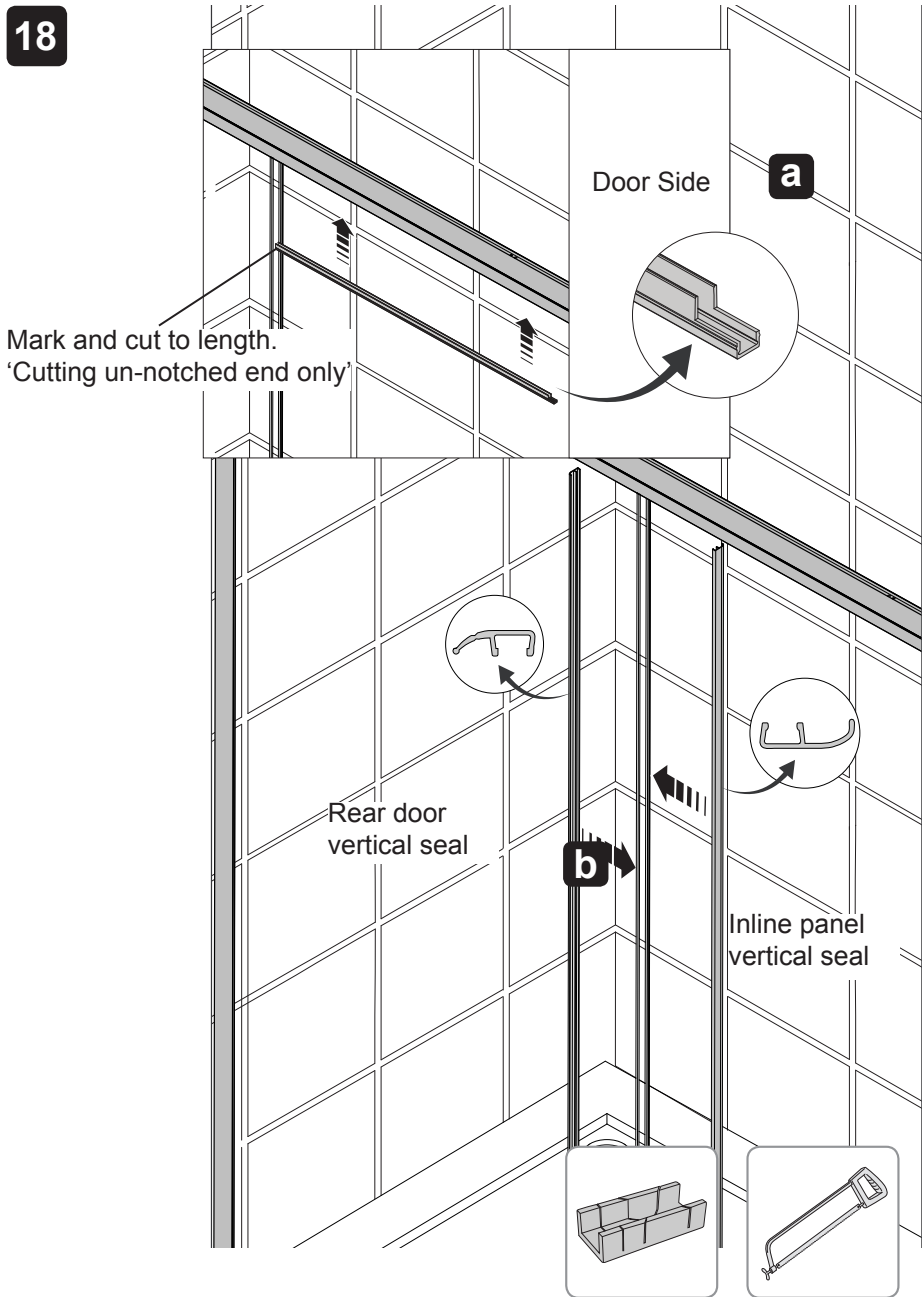
**15**

Screw the lintel cover into place as illustrated below.  
Insert cover cap over lubrication access hole.

**16****17**

(a) Push on the bracket covers.

18

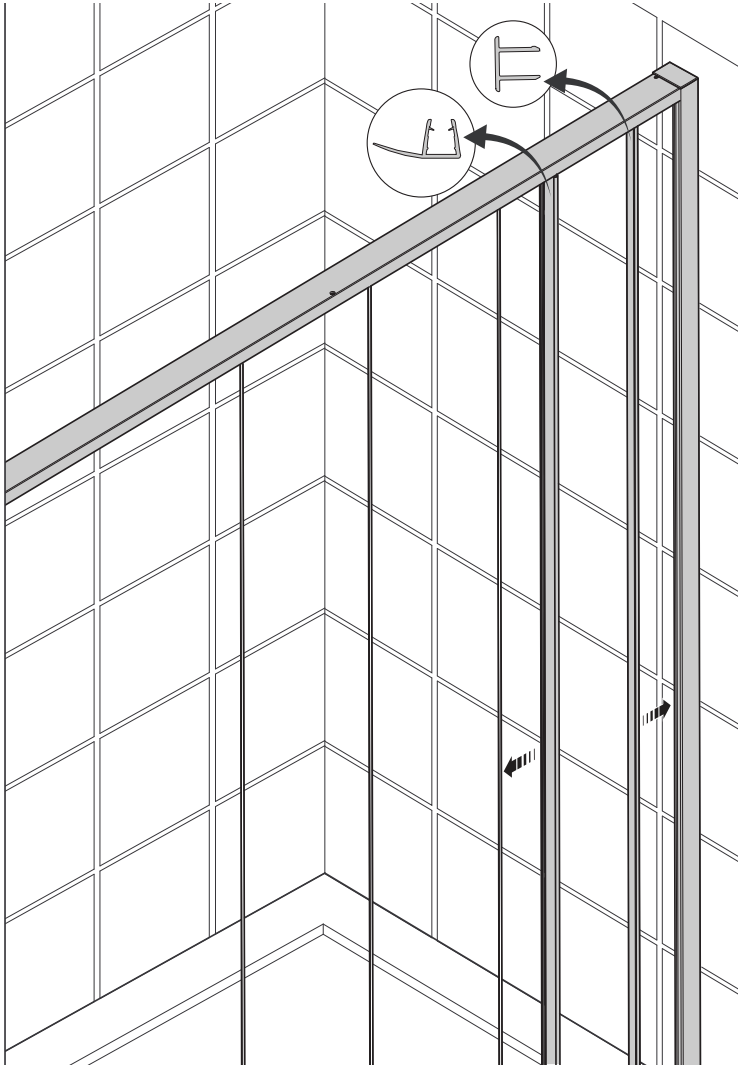


- (a) Cut the horizontal aluminium in-fill strip to length (cut un-notched end only), and push up into the top lintel as shown, the notched end towards the side panel.
- (b) Push the seals onto the door and the in-line panel.



19

**Note!** The metal infill fitting is a tight fit, so use appropriate force whilst being careful not to damage the parts.



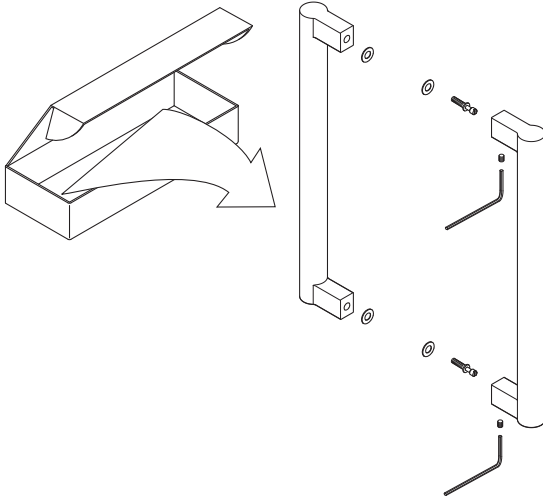
- (a) Push the closing seal onto the door.
- (b) Push metal infill strip into the closing channel.

**Note!** For alcove installation disregard the other vertical seal in the pack.

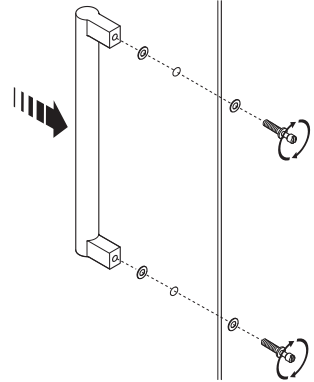
## 20 Handle Installation

**Note!** Installation procedure remains the same for all the handle options.

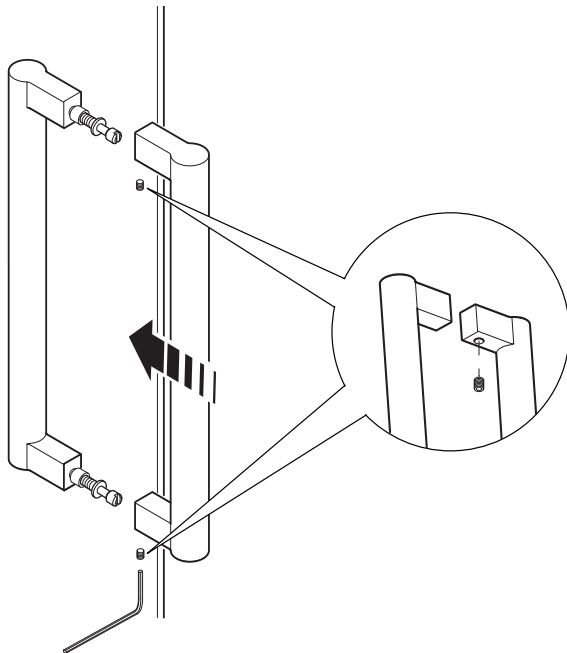
**a**



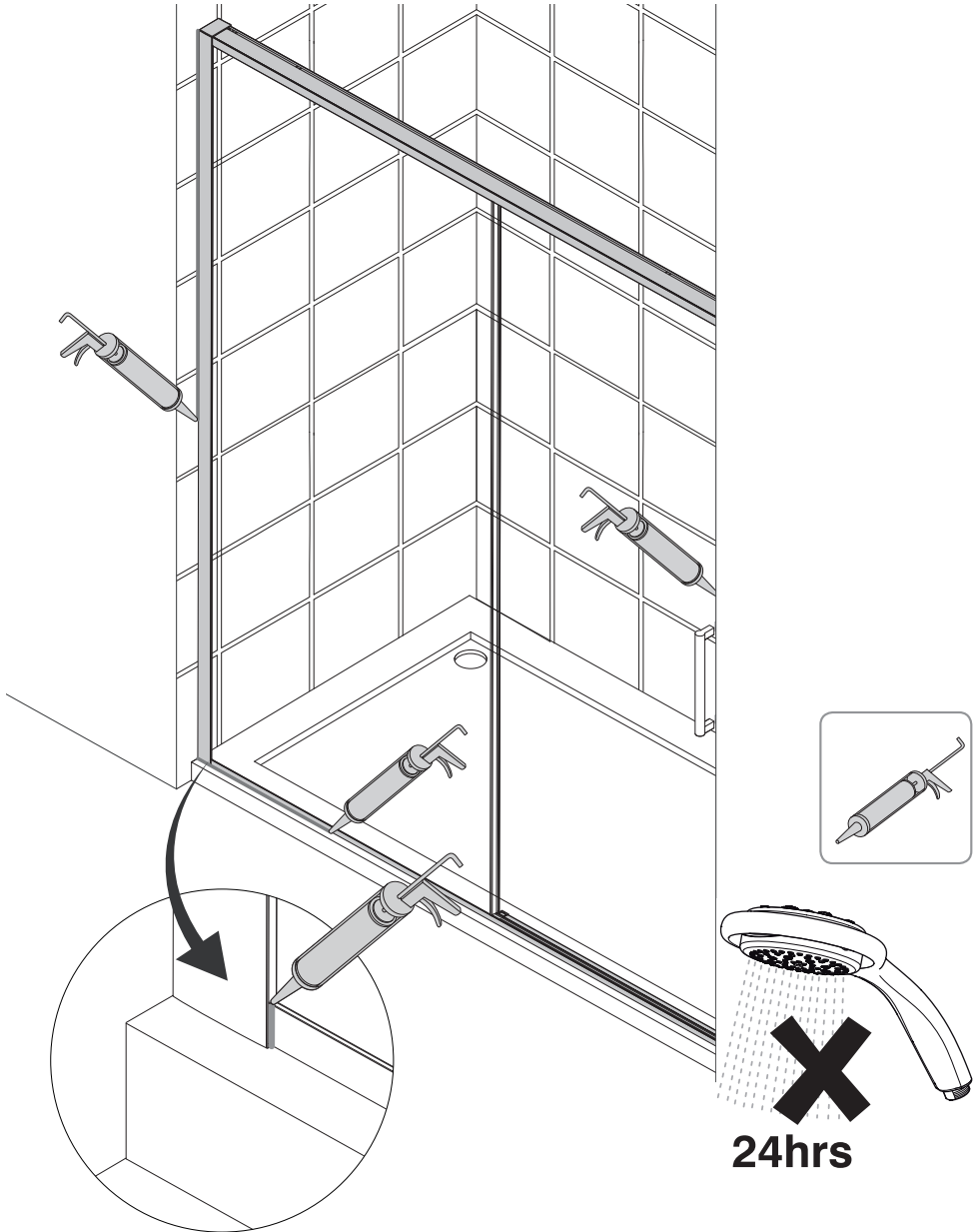
**b**



**c**



21



- (a) Apply sealant in accordance with the sealant manufacturers instructions along the outside surfaces of the door frame only.
- (b) Allow the silicone sealant to cure for 24 hours before use.

# Maintenance

---

## General Maintenance

Providing the shower enclosure has been correctly installed and is operated in accordance with the instructions contained in this guide, difficulties should not arise. If any maintenance is required then it must be carried out by a competent tradesperson to whom the maintenance instructions are provided.

Before replacing any parts ensure the underlying cause of the malfunction has been resolved.

If the door becomes difficult to slide, then apply more lubrication via access hole in the top of the lintel.

## Cleaning

Warning! The use of grout/tile cleaners, scale removers, abrasive scourers, drain unblockers and other powerful detergents may lead to damage of metallic, plated and plastic surfaces, including the tray and shower waste.

Avoid the use of 'spray and leave' cleaners. Any cleaner used should have a pH level between 4 and 8 and immediately wiped dry using a soft cloth.

## Care

To preserve the beauty of your shower enclosure for many years, please observe the following care instructions:

Rinse glass and frame with clear water after showering. Remove water droplets with a squeegee. **Do not rub dry!** To clean your shower hygienically and easily, we recommend the use of a biodegradable cleanser.

Regular cleansing with a biodegradable cleanser prevents stubborn stains and ensures a clean and hygienic surface for many years. Do not use scouring or caustic cleansers under any circumstances! These can damage the surface of the frame, glass and decorative parts as well as the plastic parts.

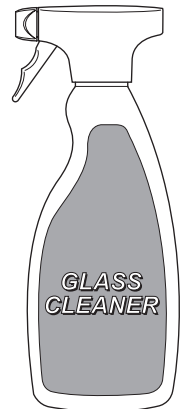
## Chrome Parts

Use only cleansers expressly specified for chrome!

## KOHLER Glass Cleaner

For occasional cleaning of glass treated with KOHLER Glass Protector or for more regular maintenance of untreated surfaces, we recommend using KOHLER Glass Cleaner.

The cleaner cleans and polishes without smearing or streaking and rejuvenates the Glass Protector.

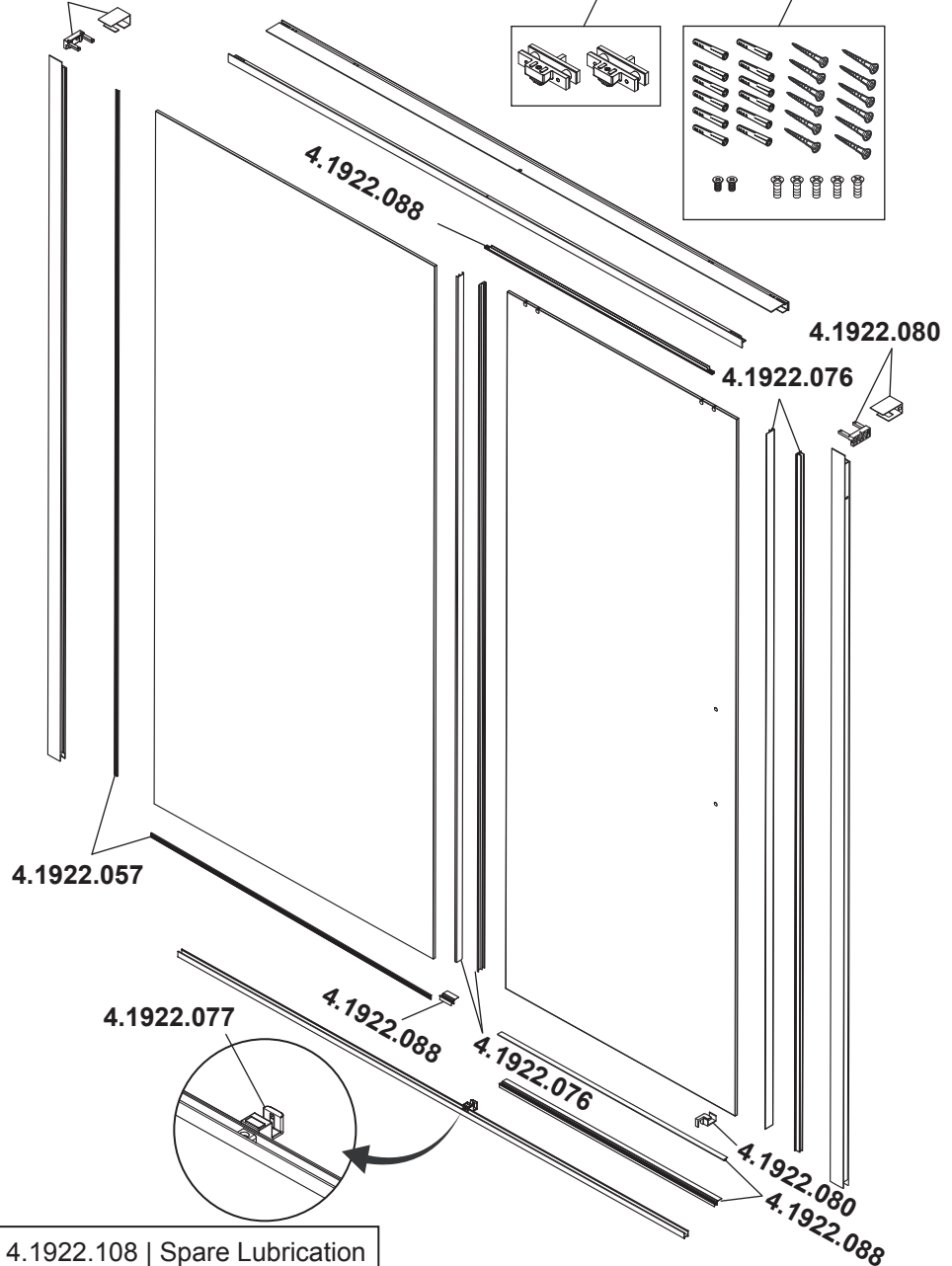


# Spare Parts

4.1922.080

4.1922.092

4.1922.078



4.1922.108 | Spare Lubrication

# Notes

---

# Declaration of Performance

## KOHLER.

### DECLARATION OF PERFORMANCE

Kohler Mira Ltd.  
Cromwell Road  
Cheltenham  
Gloucestershire  
GL52 5EP  
United Kingdom  
Tel: 0844 571 1155  
Fax: 0844 581 1100  
[www.kohlermira.co.uk](http://www.kohlermira.co.uk)

**Brand name:** Kohler Mira

**Product name:** Ascend & Composed Shower Enclosures (all sizes)

**Product Range:** Hinged Alcove Door  
Hinged Enclosure  
Sliding Alcove Door  
Sliding Door Enclosure  
Side Panel  
Wet Room Side Panel  
Wet Room Panel  
Wet Room Hinged Return Panel  
Bath Screen (In-line Panel with Hinged Door)

**Product type:** Domestic Shower Enclosure

**Manufacturer:** Kohler Mira Ltd  
Cromwell Road, Cheltenham  
Gloucestershire GL52 5EP  
United Kingdom

**Directives:** EU 305/2011 Construction Products Regulations

**System of assessment:** System 4  
Type testing / Factory production Control

**Standards:** EN 14428:2015.  
Shower enclosures – Functional requirements and test methods.

Essential Characteristics	Performance	Harmonised technical specification
IR-CA-DA	Compliant	EN 14428:2015

The performance of the products described above, are in conformity with the relevant community harmonisation legislation.

This declaration of performance is issued under the sole responsibility of Kohler Mira Ltd.

# CE 18

Signed for and on behalf of Kohler Mira Ltd.

**Signature:** 

**Name:** Jon Ramsdale  
**Place:** Cheltenham, UK  
**Doc. No.:** CE 0120

**Position:** NPD Director  
**Date:** 1<sup>st</sup> March 2018  
**Issue:** 1

