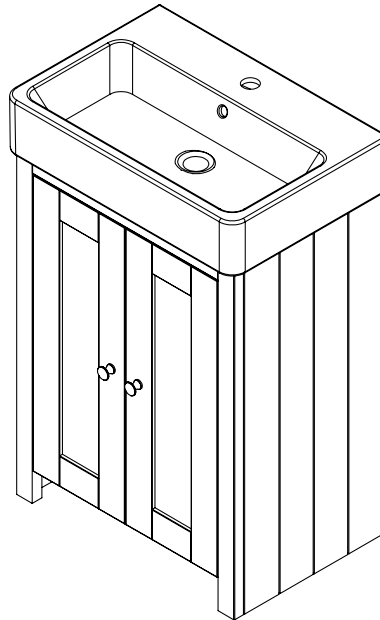


# LANSDOWN 550 VANITY UNIT (LAN550B.LW/LAN550B.PG) INSTALLATION AND AFTERCARE INSTRUCTIONS

## Before You Start

It is recommended that the unit and basin are secured to a suitably reinforced wall to ensure stability. This can be done through the back rail (fixings not included).



## Fitting Ceramic Basin

Once the basin has been plumbed in finish by securing to the washstand using a silicone sealant (not supplied).

## Furniture Aftercare Instructions

As with all wooden furniture, this product should be treated with care.

### We Recommend...

- Wipe away any water splashes or condensation after use. Excessive exposure to water will deteriorate the furniture
- All bathrooms should be well ventilated with a suitable extractor fan
- Clean with a soft damp cloth only
- Use a wax free polish if one must be used
- For removal of lime scale deposits use a suitable proprietary cleaner

### Please DO NOT...

- Do not scrub or scour
- Do not use abrasive cleaning agents

## Replacement Components

Should you require any replacement components for this product please contact Roper Rhodes using the contact details below.