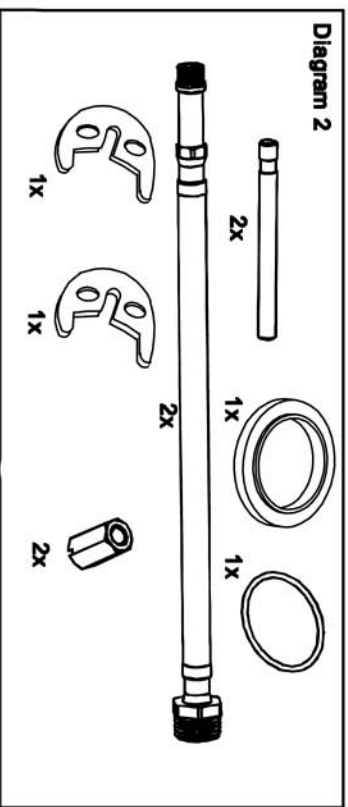
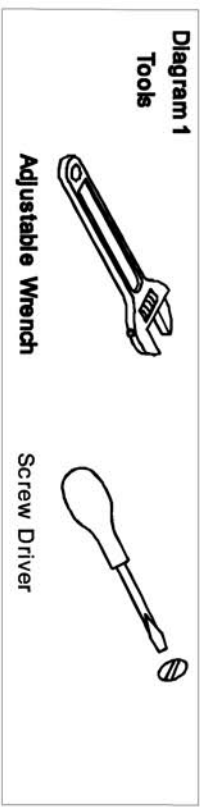


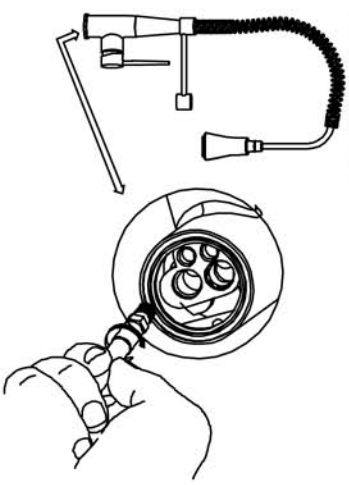
**Please read this instruction carefully to avoid any difficulty during installing**

**Step#2**

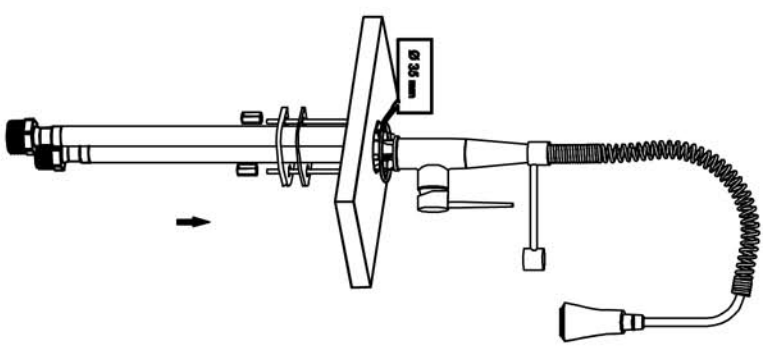


**Installation Illustration**

**Step #1**



Insert the tails into the base of the body and nip tight using the wrench.



**Step#3**

Flush the mixer tap clean before using for the first time. Unscrew the aerator and let the water run through for about 5 minutes. Then screw on the aerator again.

