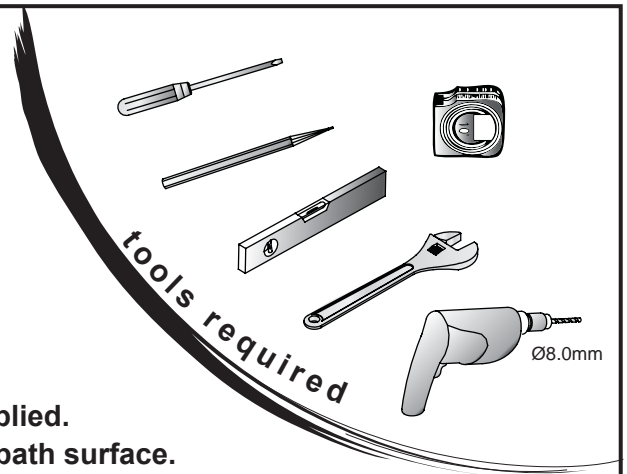


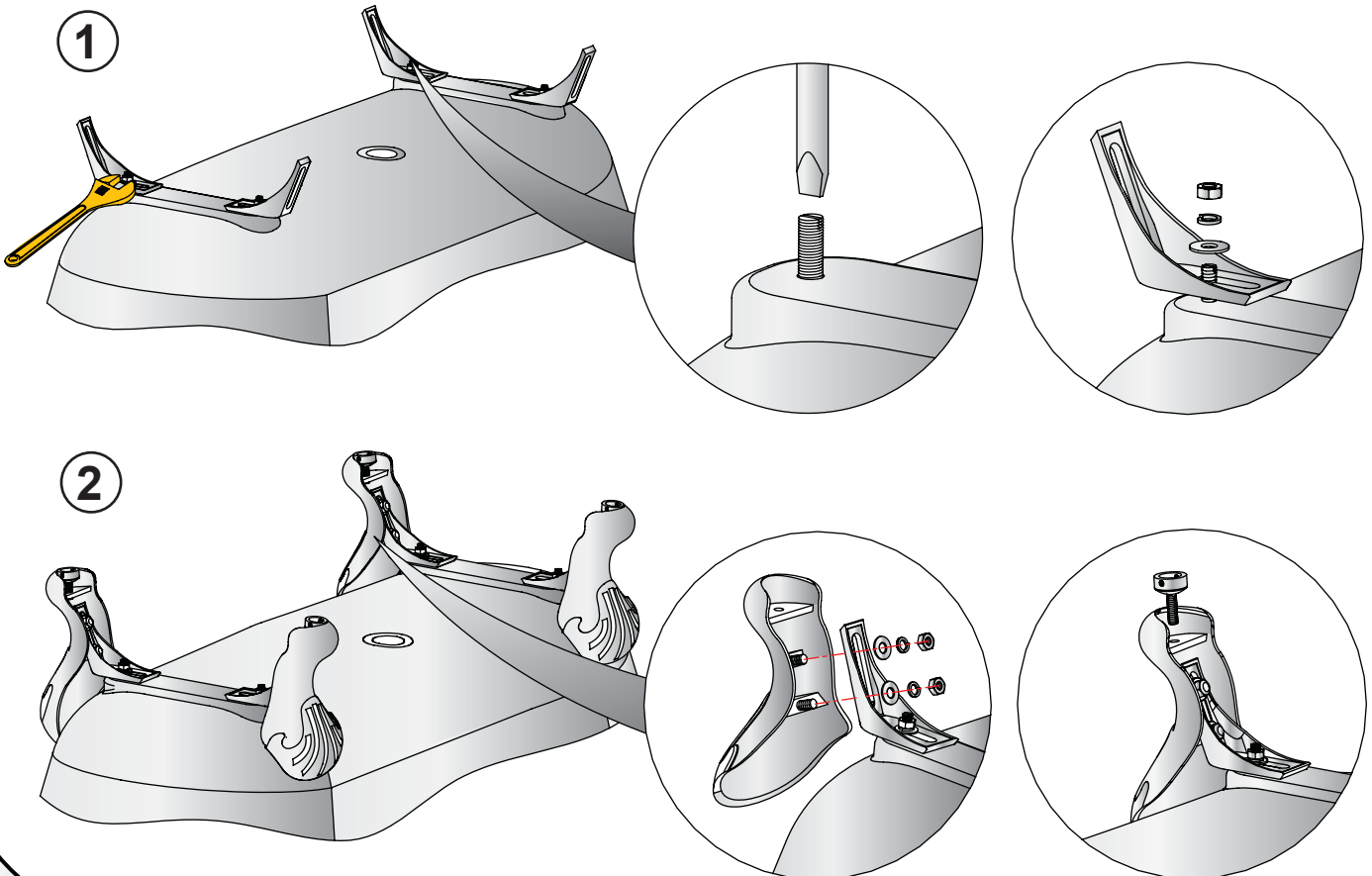
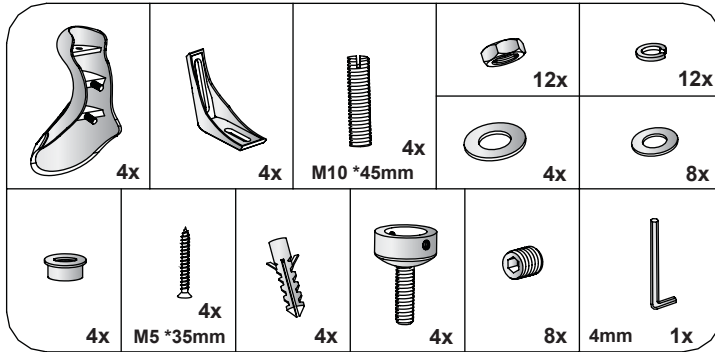
# INSTRUCTION

## Freestanding Bath - Leg Set Installation

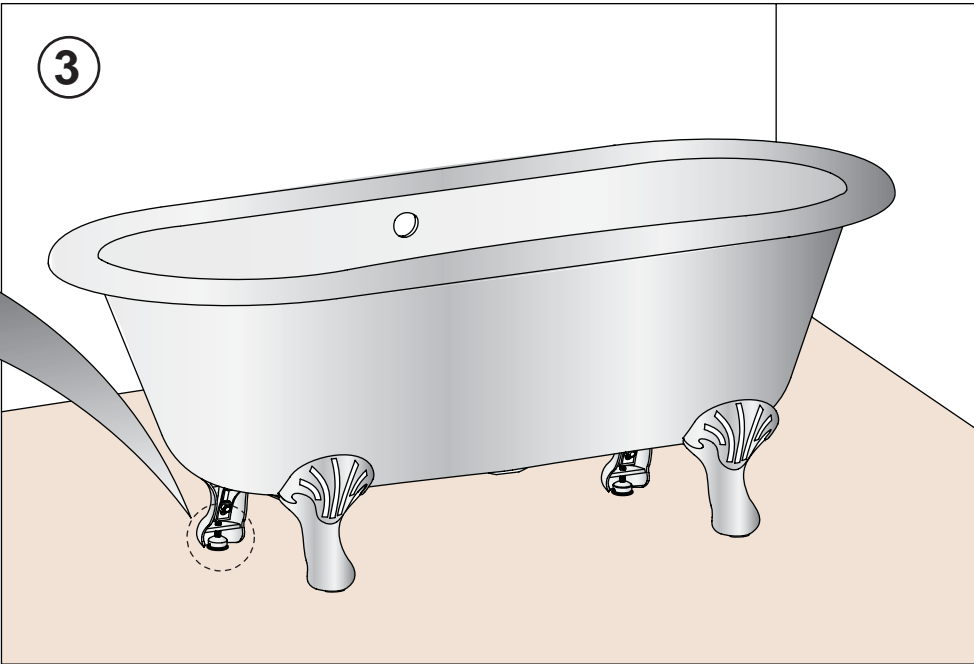


- Prior to installation check that all parts have been supplied.
- Assemble bath on a mat to protect against damage to bath surface.
- Bath diagram shown below is for reference only and bath legs fit to all baths.
- This product requires a two person lift - use proper lifting techniques.
- This installation guide does not include details of waste connection; final decision about installation of waste connection should be taken by a suitably qualified person.
- Follow each step in turn.

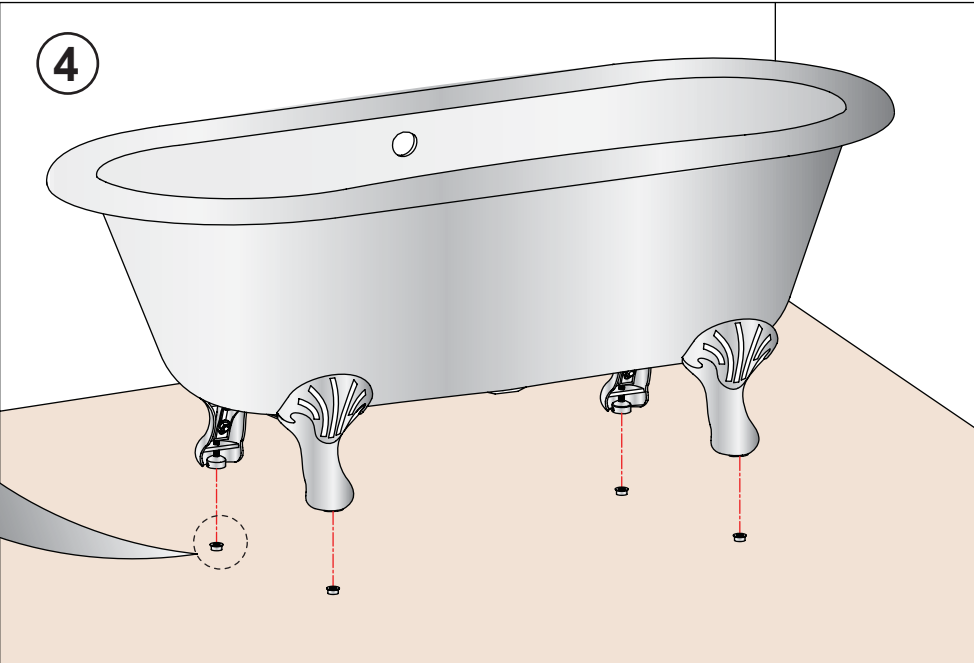
### parts supplied:



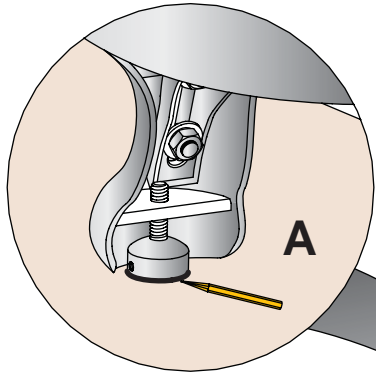
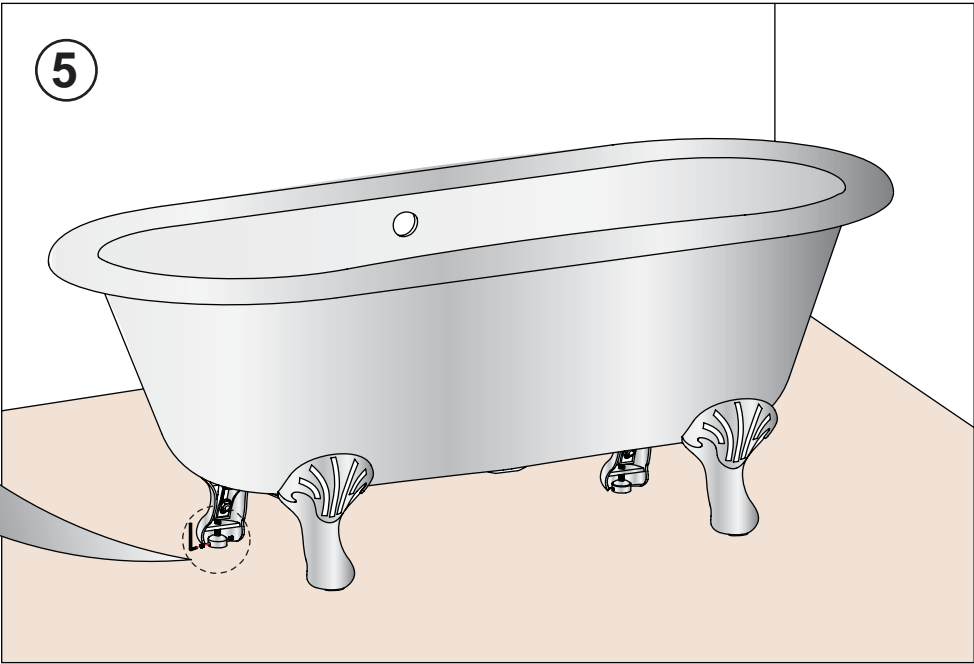
3



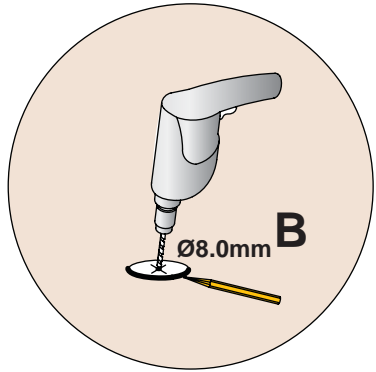
4



5



A



B

Ø8.0mm

