

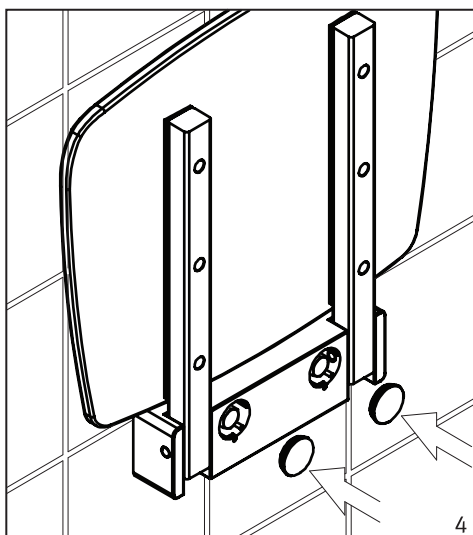
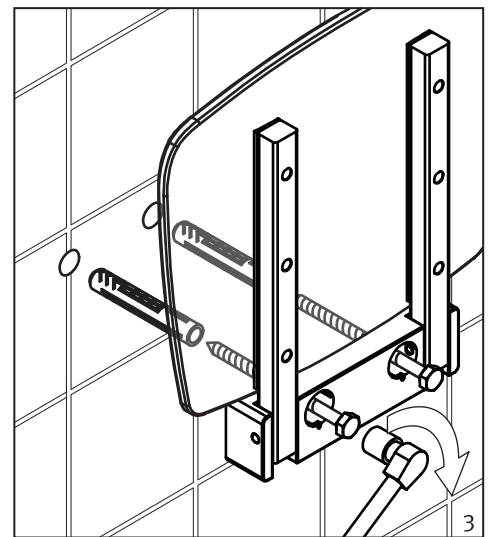
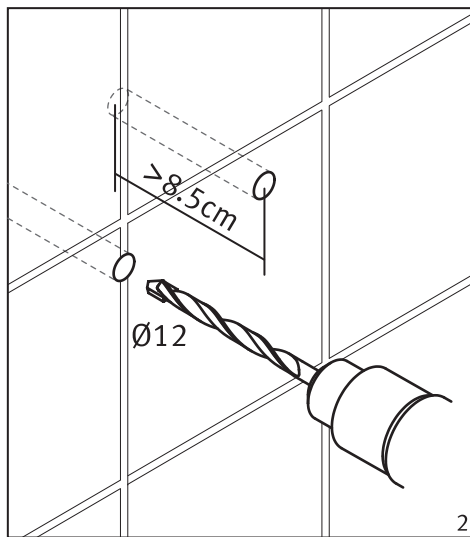
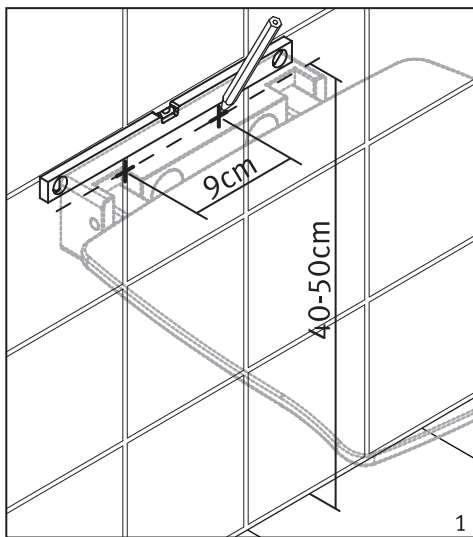
Warning!

The wall mounted tip-up shower seat is designed to withstand a maximum vertical static load of 150 kg, exceeding this loading limit may lead permanent damage. Please use the standard fixing kit of Fischer UX 12x70 and M10 screws for installation on concrete, solid brick and sand-lime perforated brick walls. Other walls, such as aerated concrete, plasterboard and gypsum fibre board require extra strengthening, please consult the installer or check www.fischer.de/en

fischer UX 12x70 LOADS

Recom.loads N_{rec} [kN] and mean ultimate loads N_u [kN].

Wood screw diameter [mm]	10	
	N_{rec}	N_u
Substrate		
<input checked="" type="checkbox"/> Concrete \geq C12/C55	1.5	8.8
<input checked="" type="checkbox"/> Solid brick \geq Mz12(DIN 105)	0.7	8.0
<input checked="" type="checkbox"/> Sand-lime perforated brick \geq KSL12(DIN 106)	0.8	5.0
<input type="checkbox"/> Aerated concrete \geq PB4	0.6	3.7
<input type="checkbox"/> Vertical perforated brick \geq H1z12($\rho \geq 1.0\text{kg/dm}^3$ DIN 105)	0.3	2.1
<input type="checkbox"/> Aerated concrete \geq PB2	0.2	1.6
<input type="checkbox"/> Plasterboard 12,5mm	-	-
<input type="checkbox"/> Plasterboard 2x12,5mm	-	-
<input type="checkbox"/> Gypsum fibre board(Fermacell)	-	-



EW972REVA