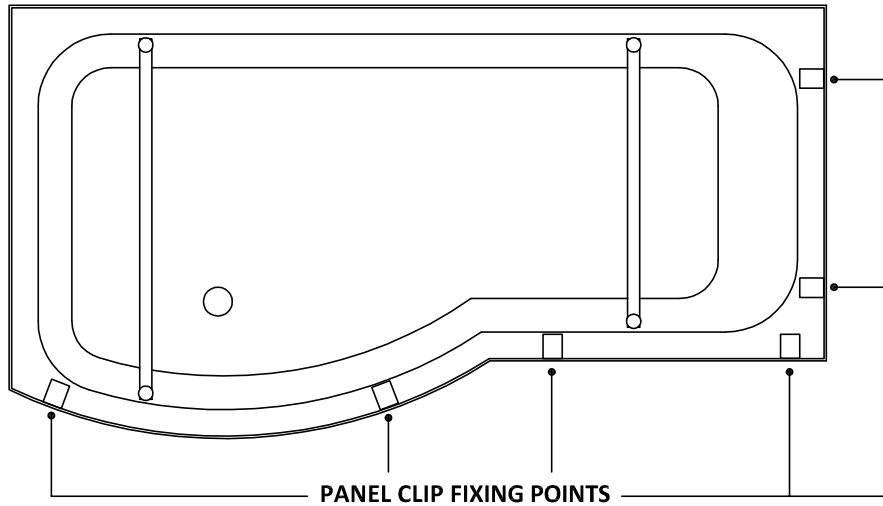
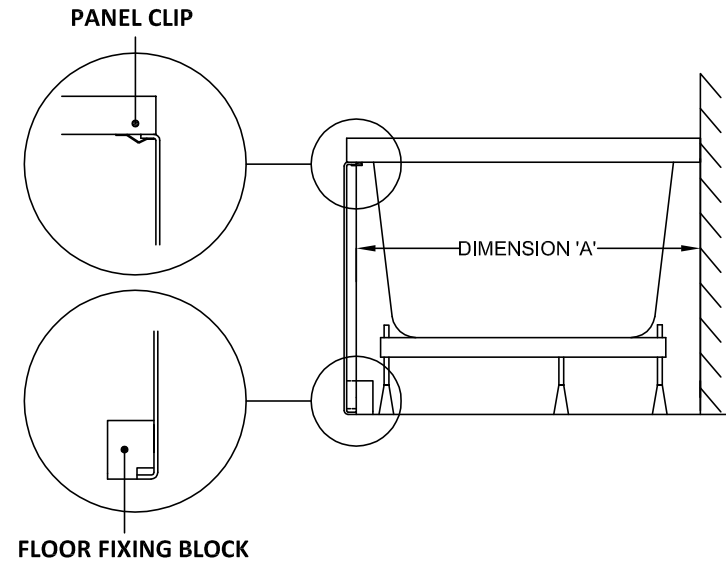


'B' BATH PANEL - FIXING INSTRUCTIONS

1. FIX THE PANEL CLIPS TO THE 6 WOODEN BLOCKS UNDER THE BATH RIM USING THE SCREWS SUPPLIED



3. TAKE A MEASUREMENT FROM THE BACK EDGE OF THE FRONT PANEL TO THE WALL.



2. MEASURE THE HEIGHT OF THE PANEL, AND SET THE BATH TO THIS DIMENSION FROM THE FLOOR TO THE UNDERSIDE OF THE BATH RIM.
PLACE THE WOODEN BLOCKS (NOT SUPPLIED) SO THEY ARE PLUMB WITH THE BATH RIM AND CLIP THE PANEL INTO POSITION.

4. MARK DIMENSION 'A' LIGHTLY WITH A PENCIL AND USING A FINE TOOTHED SAW, CAREFULLY TRIM THE END PANEL TO LENGTH. IT IS RECOMMENDED THAT A WALL BATON IS FITTED BEHIND THE CUT END FOR SUPPORT AND A WOODEN BATON FLOOR MOUNTED TO PREVENT THE PANEL FROM MOVING INWARDS.
5. REMOVE THE PROTECTIVE FILM. LOCATE THE TOP EDGE OF THE END PANEL INTO THE PANEL CLIPS AND PUSH THE PANEL INTO POSITION. FINALLY, RUN A BEAD OF SILICONE AROUND THE BOTTOM & SIDE EDGES.

