

Before you start

It is recommended that all units are secured to a suitably reinforced wall to ensure stability. The wall plugs supplied with units are only suitable for solid stone/brick walls. The furniture is not suitable for mounting on plasterboard walls, unless there are solid joists behind the plasterboard at each and every fixing location. Seek advice from a specialist about the suitability of fixings to be used.

Wear suitable eye protection when drilling. Take care when using power tools near water - the use of a residual current device (RCD) is recommended. Beware of hidden pipes or cables. Take care when drilling tiled surfaces as the drill might slip. Use a piece of masking tape to prevent the drill from wandering.

Important Information

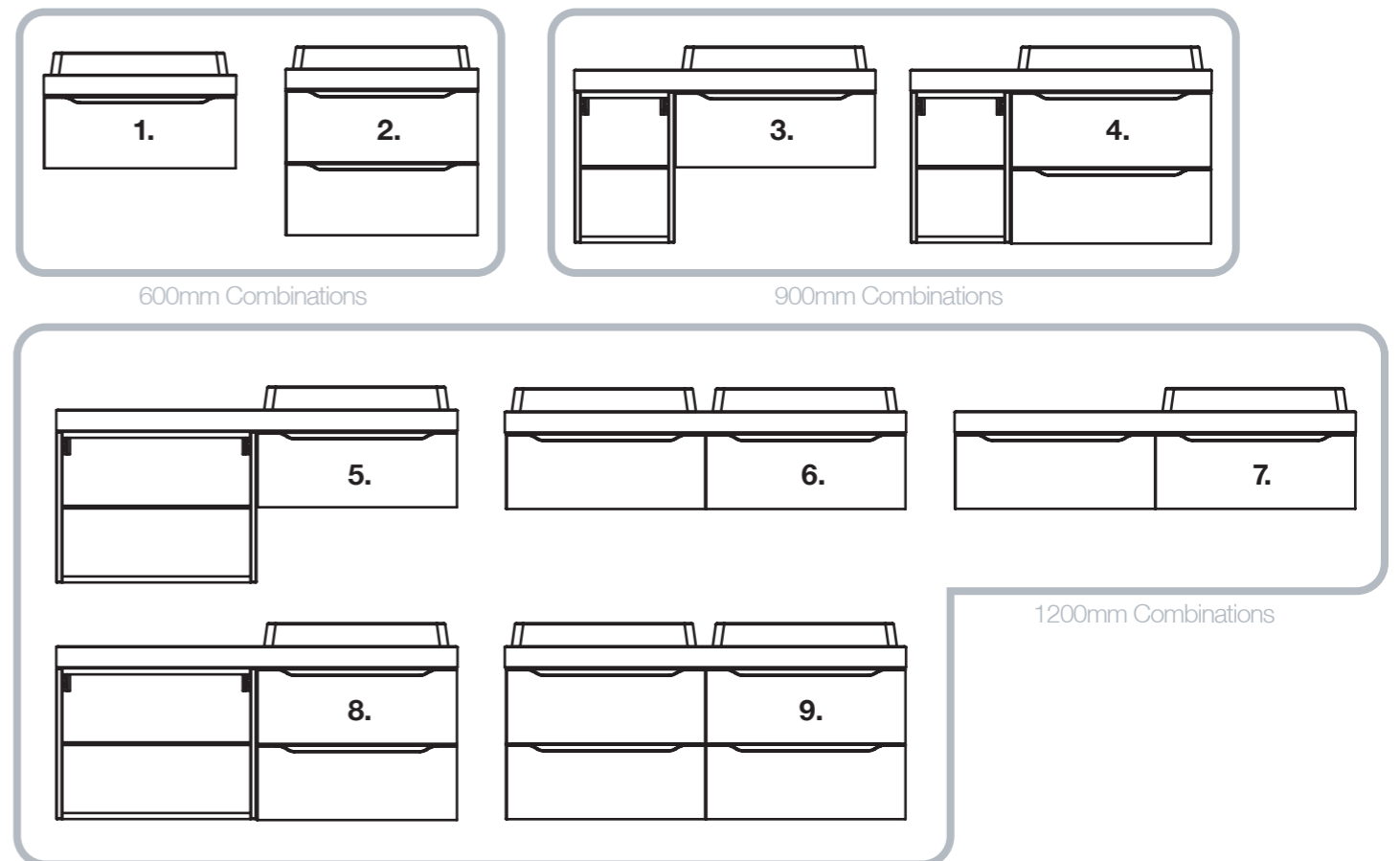
- For 900mm combinations, it is important that the basin is positioned above a top drawer unit (ATD600) as the drawer box is designed to allow the plumbing to be connected below. The basin cannot be positioned above an open shelf unit (AOU300, AOU500) as the basin can only be centrally mounted above a drawer.

- For drawer units that are not positioned below a basin (such as in combination 7), a bottom drawer unit (ALD600) can be used to create more storage as the bottom drawer unit does not contain a cutout for plumbing.

- For the top drawer units with plumbing cutout in the drawer, it is important that a low profile trap is used with this unit. This prevents the trap from interfering with the drawer below and allows other drawer units to be attached unimpeded.

Furniture Combinations

As a modular furniture range, Array furniture can be combined to form a number of different combinations of varying sizes. A number of possible combinations are shown below. For combinations with more than one drawer or shelves, these units will need to be secured to each other as well as the wall.



Fitting Units Together

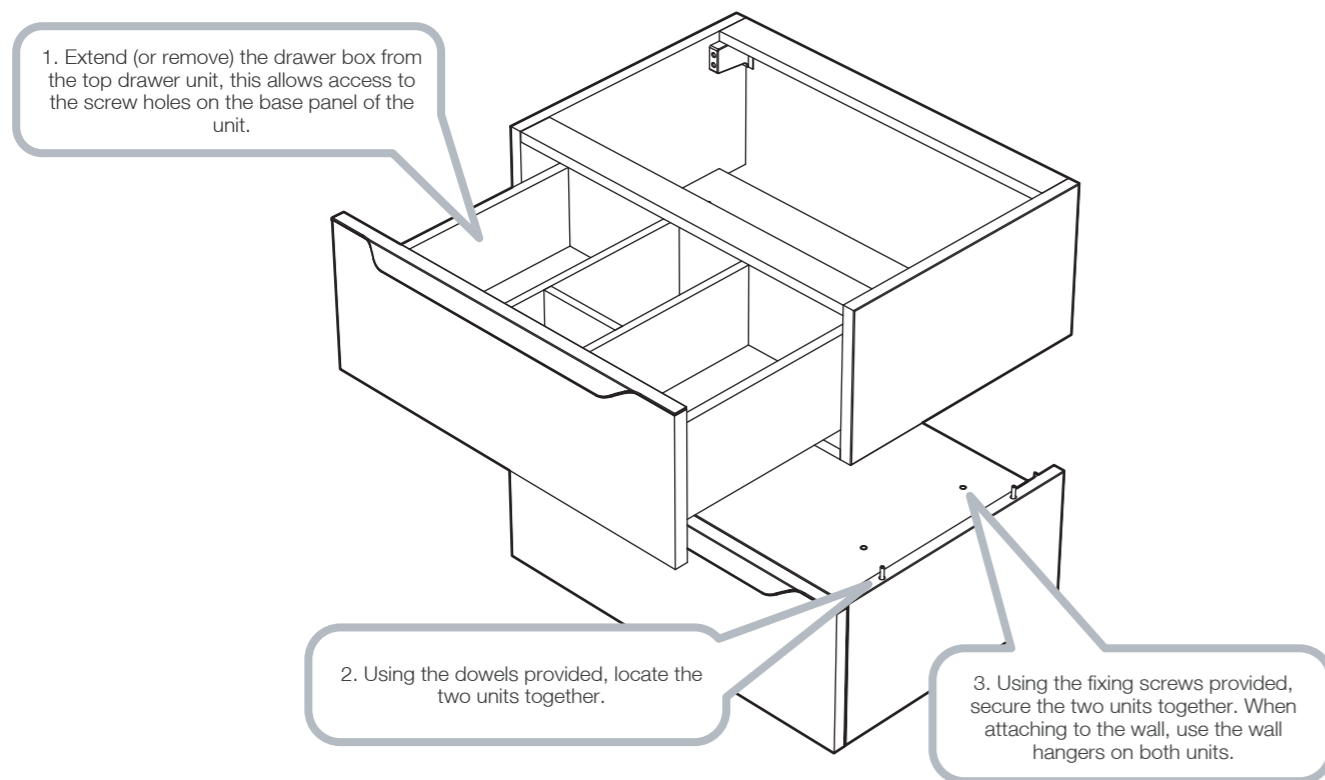
FITTING UNITS SIDE BY SIDE:

For combinations in which units are fitted side by side, both units should be positioned so that the tops of each unit are level and can be fixed together using appropriate length screws through side panels. The units should be clamped together in the correct position, and then screws used.

N.B. - Where two drawer units are stacked and then need to be secured to another unit to the side (such as in combinations 4, 8 and 9) it is recommended that the two drawer units are fixed together first before securing to side units. This ensures that both sets of units are aligned properly and prevents further installation problems.

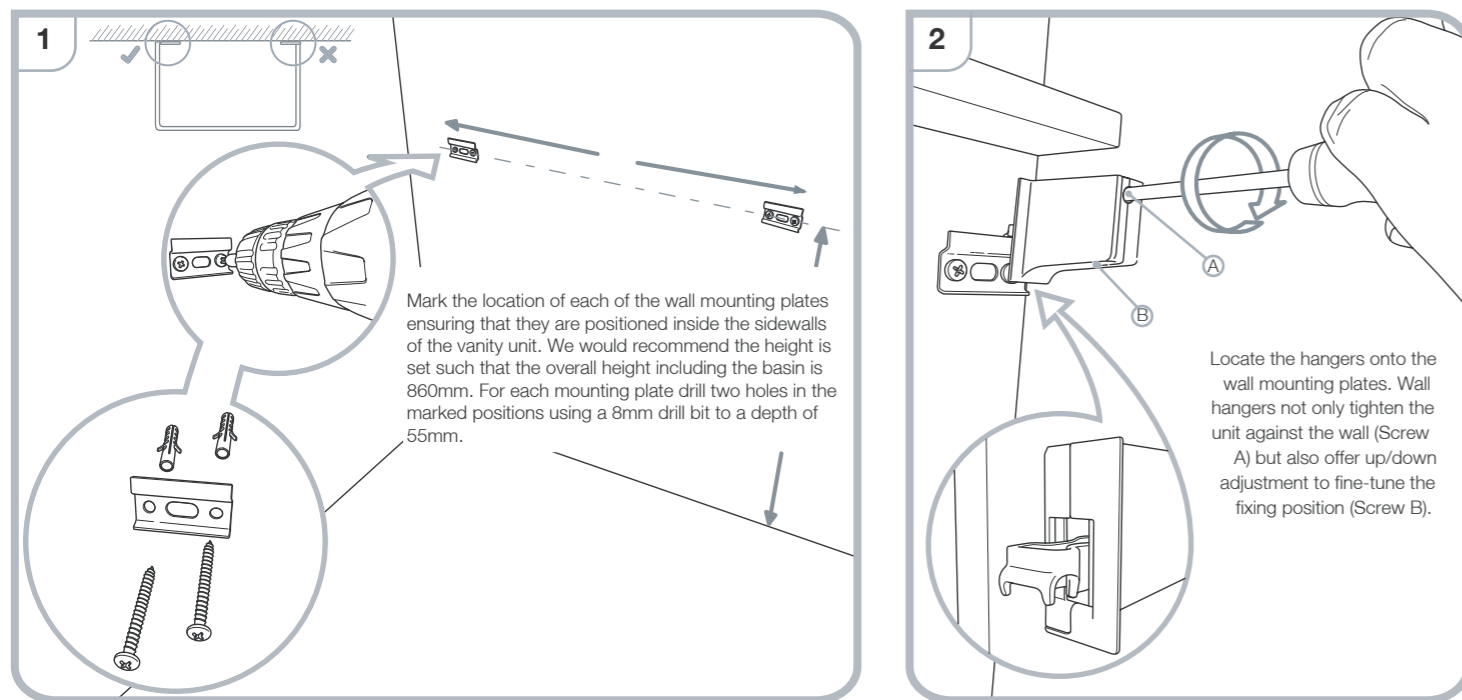
FITTING ON TOP OF EACH OTHER:

For combinations in which drawer units are positioned on top of each other (such as in combinations 2, 4, 8 and 9), the units need to be bolted together. Top drawer units (those which are fitted underneath basins) have screw holes in the base panel of the unit. Bottom drawer units (those which are fitted underneath another drawer unit) have holes for dowels and a threaded insert in the top panel which corresponds with holes in the top drawer unit. This allows both units to be screwed together, securing them in place.



Attaching Furniture to the Wall

Each furniture unit has wall hangers and brackets to secure the unit to the wall. Even in instances where top and bottom drawer units are secured together it is advised that all wall hanging brackets are used on all units.



Cutting the Worktop

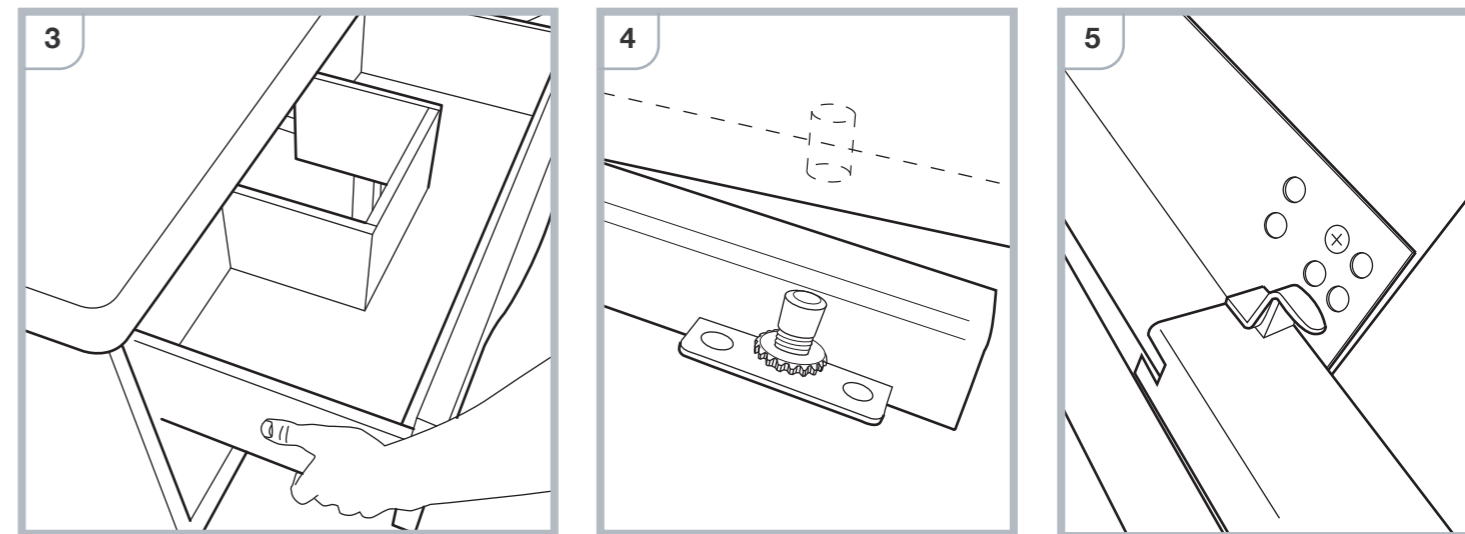
The worktop needs to be cut in order to fit basins. A template is provided with the basin which can be used to mark where the worktop needs to be cut and included with the template are instructions which should be referred to. It is recommended that the worktop is cut with a jigsaw with new blades. Multiple blades may be needed due to the hardness of the synthetic stone material. Extra care with the worktop is needed when two basin holes need to be cut.

Attaching Worktop and Basin

When all of the furniture units are fixed to each other and attached to the wall, the isocast worktop can be attached to the furniture and sealed using an appropriate silicone sealant. It is important that the units are all level before the worktop is sealed. Before fitting, attach the waste and tap to the basin as this will make installation easier. Once they are installed the basin can be sealed to the worktop and can be plumbed in fully.

Adjusting the Drawer

Small adjustments can be made to the drawer front to raise or lower the fascia panel. On the underside of the wooden drawer box are two plastic clips that need to be pushed inwards to unhook the drawer box from the runners. The drawer box can then be lifted from the runners and removed from the unit (Fig 3). Once removed, the height at which the drawer fascia sits can be adjusted with the dial on the side of each drawer runner (Fig 4). This will raise/lower the drawer box front. When adjusted to the desired height, the drawer box can be replaced, ensuring the the catch at the back of each drawer runner slots into the holes on the back of the drawer body (Fig 5).



Aftercare Instructions




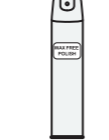
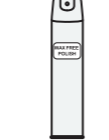
The isocast basin and the worktop are made of a non-porous material and as such they can be wiped clean with a damp cloth or sponge using mild detergents or soapy water. DO NOT use abrasive cleaning solutions. Where possible avoid sliding hard or sharp objects on the surface to prevent scratches. Strong acids such as those found in drain cleaners, toilet cleaners, paint removers and cleaners containing methylene chloride or acetone (nail polish remover) should be used very cautiously around the isocast material. Should these products come in contact with the surface, quickly flush the surface with plenty of soapy water. Any residue and spills from, shampoo, toothpaste, mouthwash, etc. should be cleaned immediately with soapy water to ensure no damage occurs.

The top surface of the basin consists of ISO polyester and aluminium trihydrate with a thickness of approx. 1,0-2,0mm. The substrate material is a polyester/calcium carbonate made up to about 13mm total thickness.



Regular cleaning should be done with sponge which is delivered with your basin (or available in your everyday supermarket store) and regular cleaning detergent. A combined cleaning and polishing product is available called Clean & Shine. This will keep the Isocast material in peak condition. Do not use acids, ammonia, chlorine or other strongly corroding products on the surface of Isocast. Scratches and small defects can be removed with wet sandpaper (1200) or by use of a Scotch-Brite green sponge. The top white layer is 1-2mm thick so care must be taken to remove the minimum material when re-finishing.

Due to the real wood veneer on this product there may be slight changes in the colour of the unit if exposed to direct sunlight. As a natural material this is to be expected and should be taken into account when installing the unit.

We recommend

-  Wipe away any water splashes or condensation after use. Excessive exposure to water will deteriorate the furniture.
-  All bathrooms should be well ventilated with a suitable extractor fan.
-  Clean with a soft damp cloth only.
-  Use a wax free polish if one must be used.
-  For removal of lime scale deposits use a suitable proprietary cleaner. If necessary test on an inconspicuous area first.

Please DO NOT...

-  Do not scrub or scour
-  Do not use abrasive cleaning agents