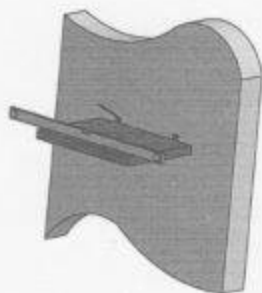
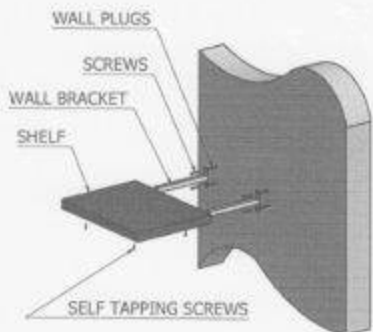
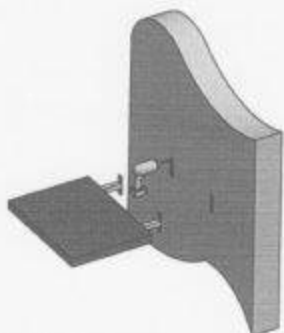


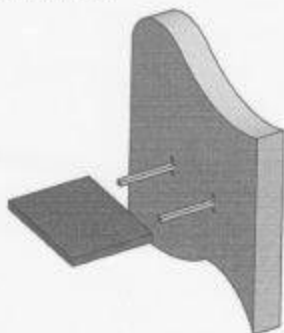
## WWS001/DWS002 SHELF FITTING INSTRUCTION



PLACE THE SHELF WITH THE BRACKETS IN THE SLOTS OF THE SHELF IN THE DESIRED POSITION ON THE WALL. USING A SPIRIT LEVEL TO ENSURE THE SHELF IS PLUMB, MARK THE POSITION OF THE BRACKETS AND FIXING HOLES ON THE WALL.

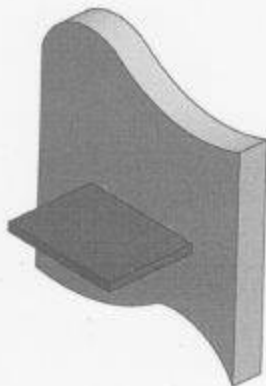


DRILL THE HOLES IN THE WALL TO TAKE THE WALL PLUGS, RECESS/CHASE IN THE AREA AROUND THE BRACKET SO IT IS LEVEL WITH THE WALL SURFACE. FOR STUD WALLS IT IS ESSENTIAL THAT THE SHELF IS SUPPORTED BY A FULLY BATTENED STUD PARTITION.



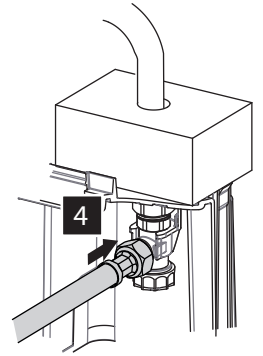
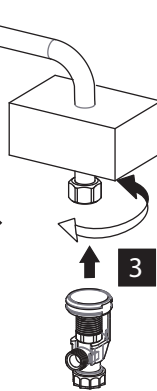
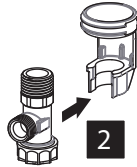
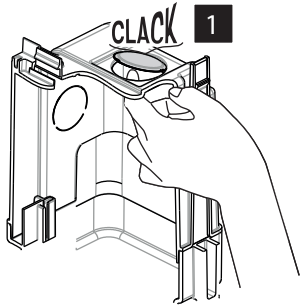
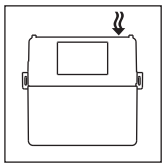
FIT THE WALL PLUGS. FIX THE BRACKETS TO THE WALL. THIS CAN THEN BE TILED OVER OR FILLED IN TO MAKE THE BRACKET INVISIBLE.

PLACE THE SHELF ONTO THE BRACKETS AGAINST THE FINISHED WALL SURFACE AND FIX IN POSITION USING THE SELF TAPPING SCREWS AND PILOT HOLES ON THE UNDERSIDE OF THE SHELF. IT MAY BE NECESSARY TO PILOT HOLE THE METAL BRACKETS FOR FINAL POSITION AND FIXING.

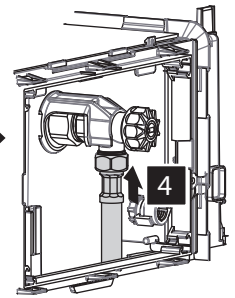
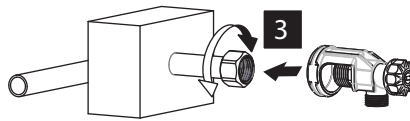
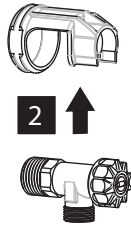
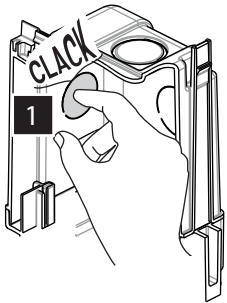
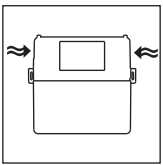




# 4A

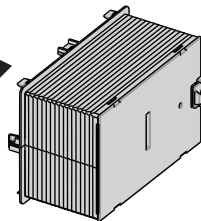
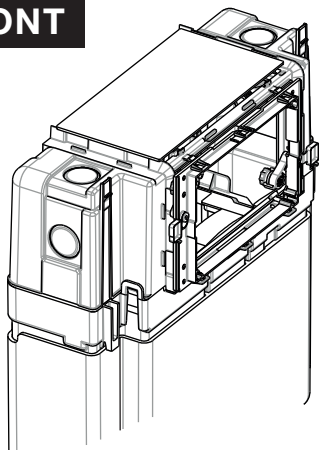


# 4B



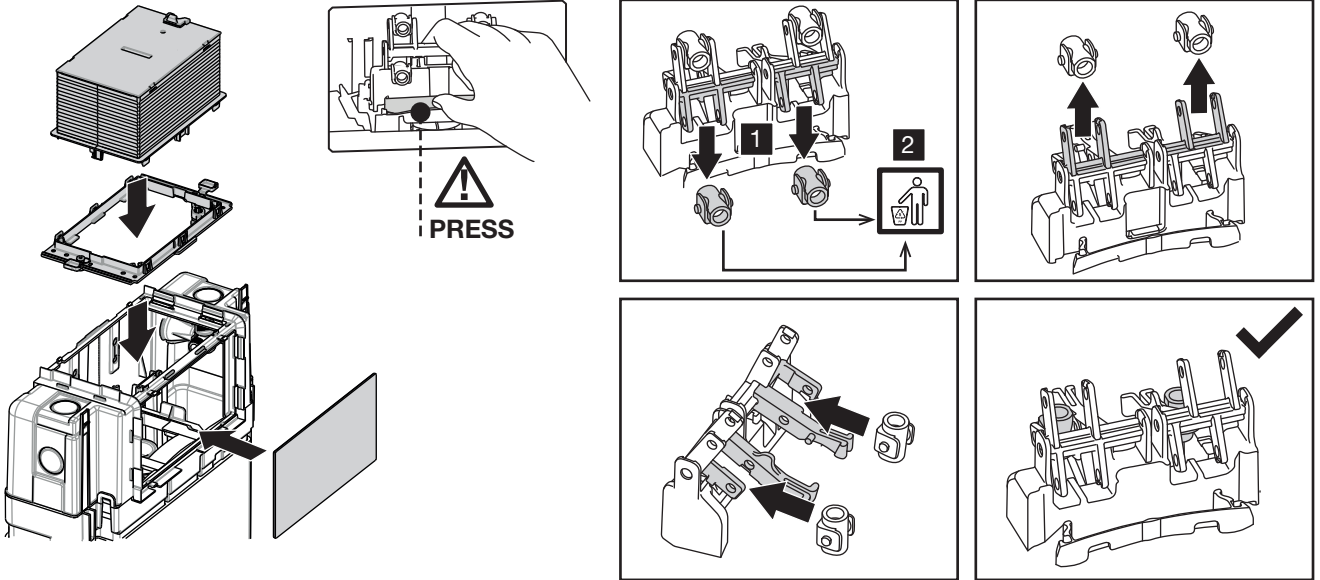
# 5

**FRONT**



5

TOP



6

