

Resin Toilet Seat

Thank you for purchasing this Croydex product. Please follow the fixing and care instructions to ensure your Resin toilet seat is fitted safely and retains its high quality finish. Please retain this leaflet for future reference.

This installation guide applies to the following products:

Resin Toilet Seats

Tools Required - Not Supplied

Hacksaw (Optional)

KEEP DIY TOOLS OUT OF THE REACH OF CHILDREN

Home Safety Advice

- Do not strike the product with hard or sharp objects.
- Do not stand on the lid or the seat.
- Avoid slamming the lid or the seat.

Product Care

- To retain the best quality finish, clean product regularly with a soft cloth and mild detergents.
- Do not use abrasive or chemical cleaners as these may damage the product.
- Spray cleaning liquids onto the cloth and not directly onto the product.
- Take care when cleaning the toilet pan with chemical cleaners. Avoid contact of the chemical-cleaners with the toilet seat or hinges. Immediately rinse off any splashes to avoid damage or discolouration of the surface of the toilet seat and hinge parts.

Fixing Pack Contents (Not to scale)

A - Main Seat Washer x 2

B - Metal Washer x 2

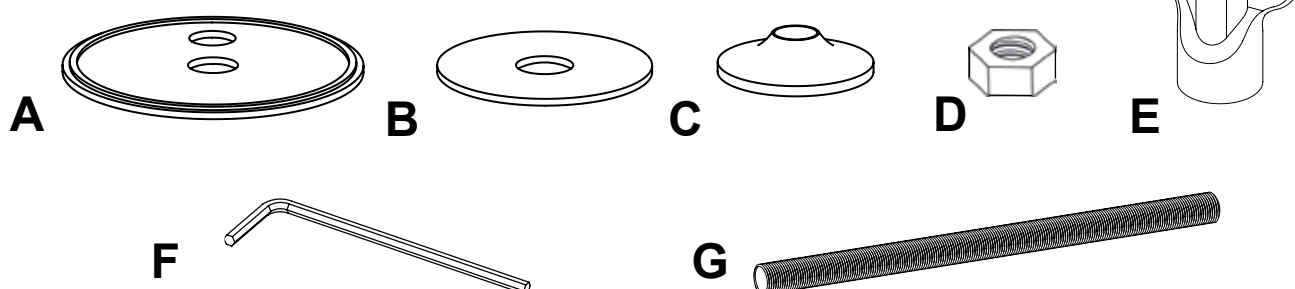
C - Tapered Plastic Washer x 2

D - Fixing Nut x 2

E - Spanner x 1

F - Hex Key x 1

G - Fixing Bolt x 2



Toilet seat fitting guide

1. Position the toilet seat on the toilet bowl to check the fit.
2. Before fitting the seat to the pan it is essential that the hinges are adjusted correctly and the locking screws are firmly tightened. Failure to tighten these screws will result in the hinges working loose over a period of time.
3. The seat can be adjusted in 3 ways to fit the pan: (See Fig.1)
 - By loosening the locking screw using the Hex Key (F), the hinge plate can be rotated to adjust the distance between the fixing bolts.
 - By locating the fixing bolt into one of the 2 threaded holes in the hinge plate, it is possible to adjust the forward/backward position of the seat.
 - It is possible to get larger adjustment of the forward/ backward position by rotating the hinge plates through 180°.
4. Having adjusted the hinge make sure the locking screws are tight using the Hex Key (F).
5. Place the main seat washers on to the hinge plates, and feed the fixing bolts through the holes in the toilet pan.
6. Fit the tapered plastic washer, metal washer and fixing nut as shown in Fig 2.
7. Secure the fixing nuts very firmly using the spanner supplied. Care must be taken not to over tighten the nuts as this could result in damage to the toilet pan.
8. After a few days use, check the nuts are still tight. This is necessary as the main seat washers will compress during the first few days.

FIG 1

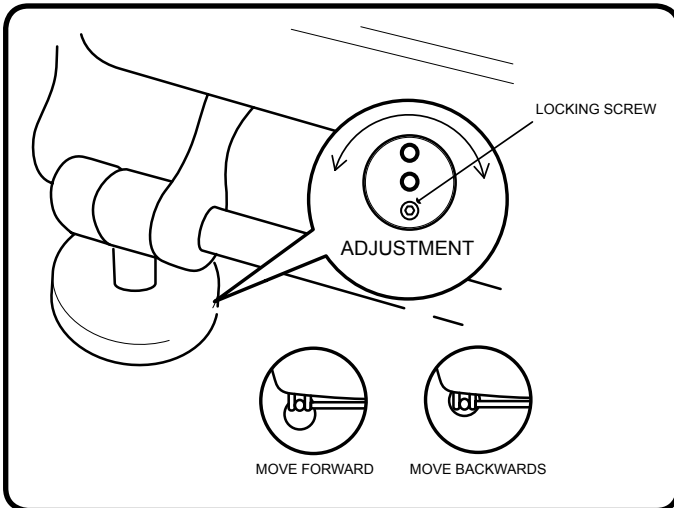
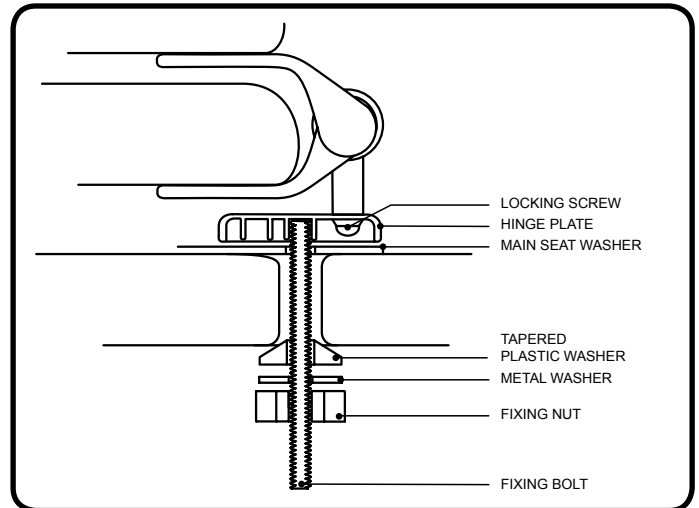


FIG 2



For details of the other items in the Croydex range please visit our website: www.croydex.com

Croydex Limited, Central Way, Andover, Hampshire, SP10 5AW, UK

Tel: +44 (0) 1264 365881 Fax: +44 (0) 1264 356437

E-mail: info@croydex.co.uk