

Thank you for buying 'Freestanding roll holder' Assembly instructions.

caution:

please use foam packaging during assembly to prevent damage to surface finishes.

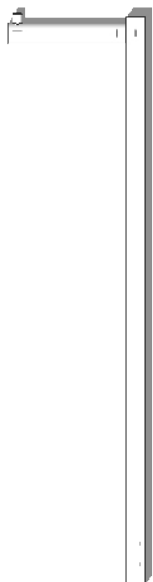
Fixings:

Allen bolt screw - x2

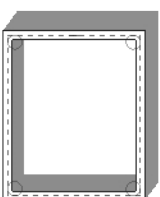
Tools supplied:

Allen key

Parts (as marked):



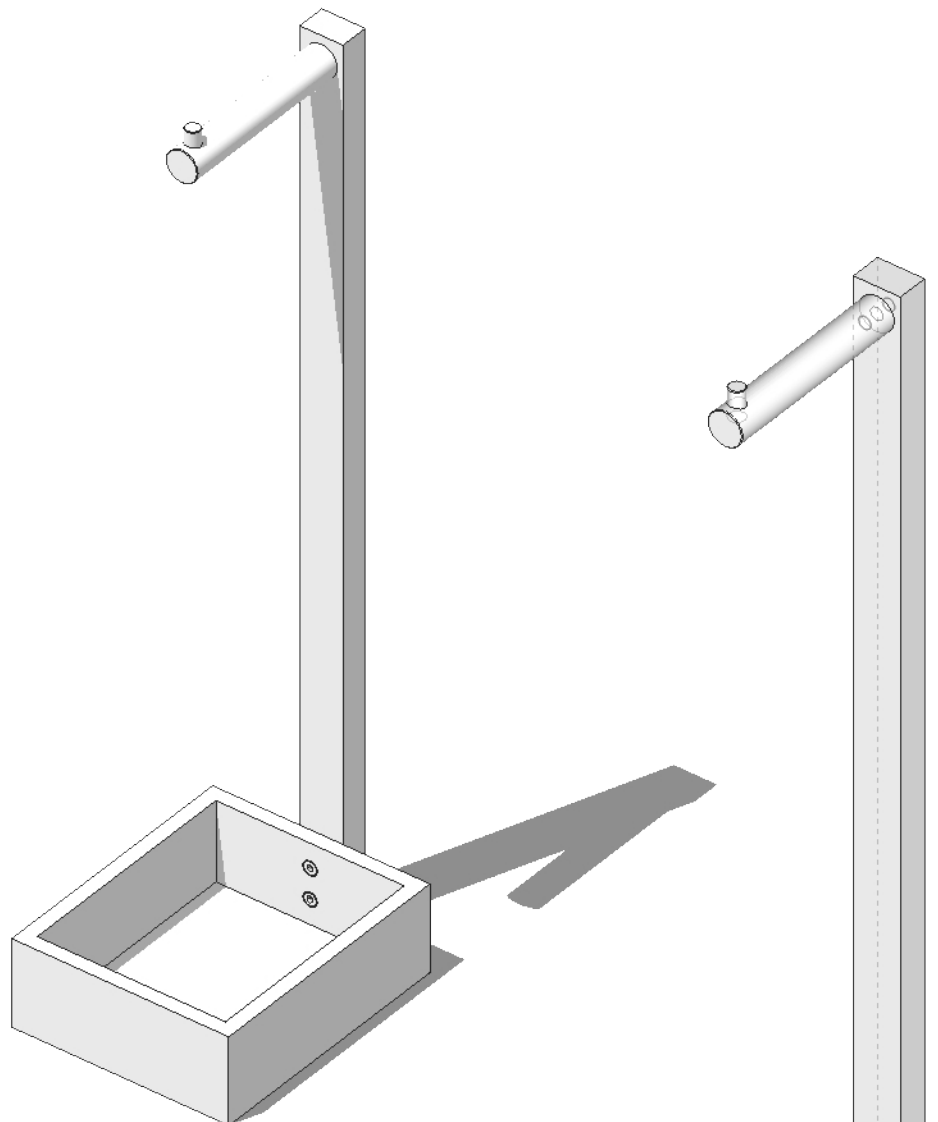
x 1



x 1



x 2



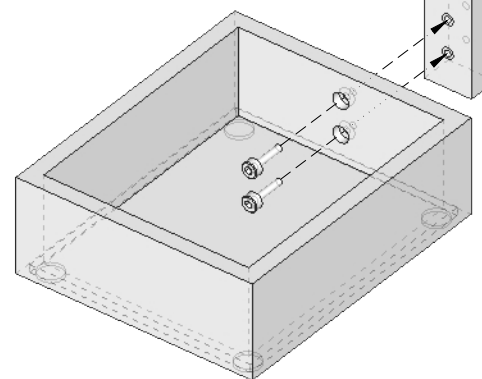
- clean using a warm soapy cloth. Do not use abrasive cleaners as these may damage the surface finish.

- check stability and strength of assembled table before use.

- do not overtighten screws during assembly.

- do not place hot items on flat surfaces as they may damage the surface finish.

- beware ! - some liquids may stain the laquered finishes



fit and tighten the two allen bolts as shown