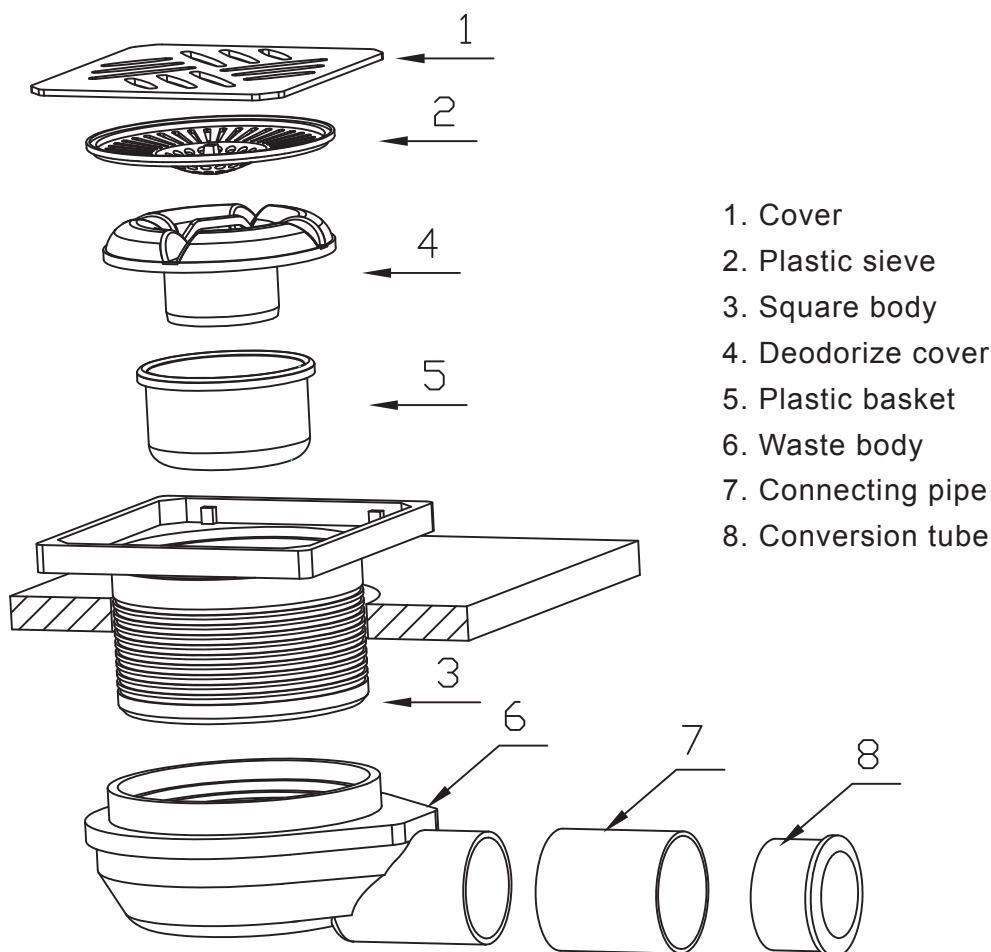


Installation instructions



Thank you for purchasing this Victorian Plumbing product. Please follow these care instructions to ensure your product retains its high quality finish
- **and retain this leaflet for future reference.**

1. Identify all components are present prior to installation
2. Take out the cover(1),plastic sieve(2),square body(3),deodorize cover(4), plastic basket(5)
3. Insert Square body through the shower tray hole and into the waste body
4. Install the connecting pipe(7)and conversion tube(8)
5. Place plastic basket (5) and the deodorize cover (4) through the Square body (3) into the waste body (6) then mount the Plastic sieve (2) and Cover (1) into the top of the Square body (3)
6. Please check all components whether there is leakage.



Victorian Plumbing

Diamond House. 41, Stephenson Way. Formby Business Park Formby. England. L37 8EG

Tel: 0044 800 862 0878

Website:www.victorianplumbing.co.uk