

Thank you for purchasing this Croydex product. Please follow these care instructions to ensure your bath panel retains its high quality finish - **and retain this leaflet for future reference.**

This instruction leaflet applies to the following products:

**WB685176 Kingston Storage Bath Panel**  
**WB685076 Kingston Bath End Panel**

## **KEEP DIY TOOLS OUT OF THE REACH OF CHILDREN**

### **Home Safety Advice (Where appropriate)**

Always take care when using an electric drill, particularly in the bathroom. Always check for hidden cables and pipework before drilling and take extreme care if there is any water in the working area.

It is advisable to use a residual current circuit breaker (RCCB).

Always wear suitable eye protection when drilling.

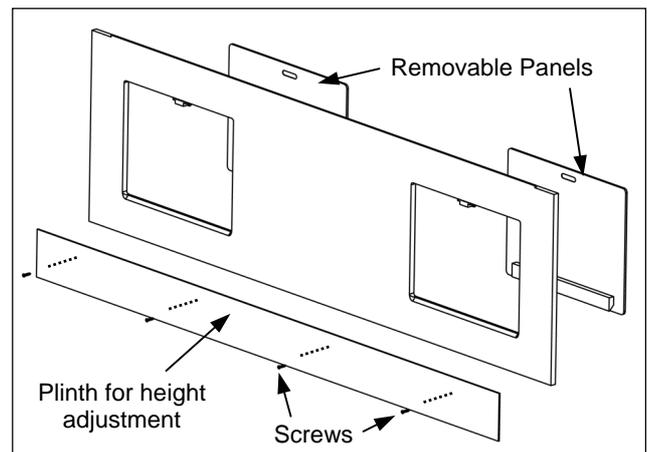
If drilling into a ceramic tiled wall, a ceramic drill bit should be used. Always ensure that the drill hole passes through the central tiled area rather than through the grouted area. Mask the area around the hole with tape before drilling to prevent damage to the tile.

Do not strike the product with hard or sharp objects.

## **Fixing Instructions**

### **Positioning the Bath Panel**

1. The bath panel has an adjustable plinth which can accommodate most bath heights.
2. Measure from the floor to the underside of the bath rim. If the plinth is required for additional height, use this dimension to position the plinth on the main panel. Where necessary, trim the lower edge of the plinth to compensate for any unevenness of the floor and treat the cut surfaces with two or more coats of paint or varnish to prevent water ingress.
3. Secure the plinth to the back face of the bath panel using the screws provided, ensuring that it matches the floor to the bath rim dimension.

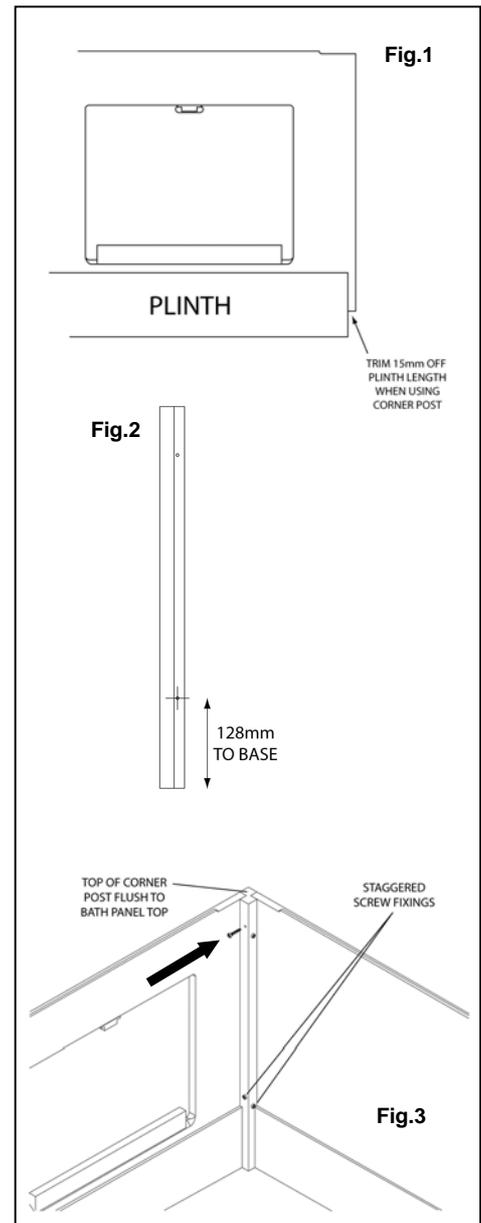


**The illustration above shows the back face of the bath panel.**

4. Place the bath panel in position and secure to the bath frame using silicone adhesive. If there is no framing already in place you will need to fix battens (not included) to the floor and (or) end walls. Full-length battens are not necessary. Do not secure at this stage if fitting with an end panel. Please see below for end panel fitment.

## Positioning the Bath End Panel

1. If you have purchased an end panel, follow the instructions detailed above to fit plinth (if required). It is also very important to make sure that when fitting a floor brace it is at a 90° angle to the main bath panel.
2. To connect the bath panel and end panel a corner post is supplied. Using the corner post with plinths will require 15mm to be trimmed off the length of each plinth to allow correct fitment. Treat all cut edges with two or more coats of paint or varnish to prevent water ingress. See Fig.1
3. Carefully cut the corner post to the required height, this is the same as the total height of the bath panel (the distance under the bath rim to the floor). Material should only be trimmed from the base of the corner post. The base end can be easily identified as it has a hole spaced 128mm up from it. See Fig.2
4. Attach the corner post to the bath panel using the screws provided, ensuring that the top of the corner post is flush with the top face of the bath panel. It may be necessary to first pre-drill pilot holes using a 2mm wood drill bit to a maximum depth of 10mm using the screw holes in the corner post as a template. Repeat for end panel this time using the holes on the perpendicular face of the corner post as a template so both sets of screws are staggered. See Fig.3
5. Place the top lip of the bath panel under the bath rim and push panel into position under bath.
6. Position the end panel under bath in the same manner as the bath panel.
7. With both panels in place, detach one of the removeable doors on the bath panel to gain access to the back face of the end panel and corner post. Screw through the corner post into the end panel to attach the end panel to the bath panel and corner post assembly.
8. Secure the end and bath panel to the bath frame and clip doors back in place.



## Product Care

To retain the best quality finish, clean product regularly with a soft cloth and mild detergents. Do not use abrasive or chemical cleaners as these will damage the product.

Croydex Limited, Central Way, Andover, Hants, SP10 5AW, UK  
Tel: +44 (0) 1264 365881. Fax: +44 (0) 1264 356437  
Website: [www.croydex.co.uk](http://www.croydex.co.uk). E-mail: [info@croydex.co.uk](mailto:info@croydex.co.uk)

## **Check out our full range of Bathroom Suites**

Bathroom Suites By Range

Cloakroom Suites

Toilets

Bathroom Sinks / Wash Basins

Bidets

Baths

## **Wide variety of toilets**

Close Coupled Toilets

Wall Hung Toilets

Back To Wall Toilets

Furniture unit toilets

## **Huge Selection of Baths**

Acrylic Baths

Steel Baths

Shower baths

Freestanding baths

Small baths

Corner baths

Whirlpool baths

## **Don't forget the important bathroom suite extras**

Bath panels

Toilet seats

**plumbworld**  
**Big brands, small prices.**