

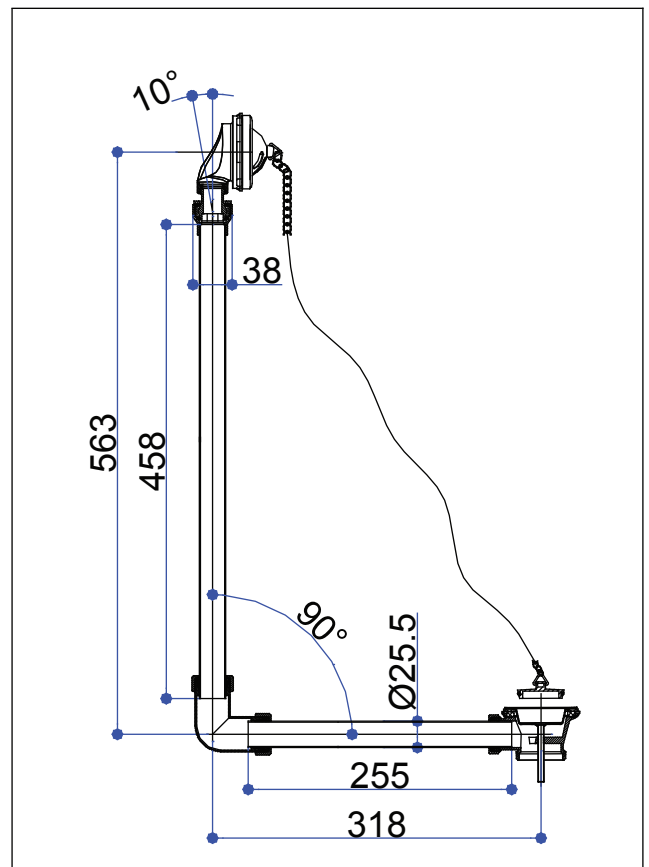
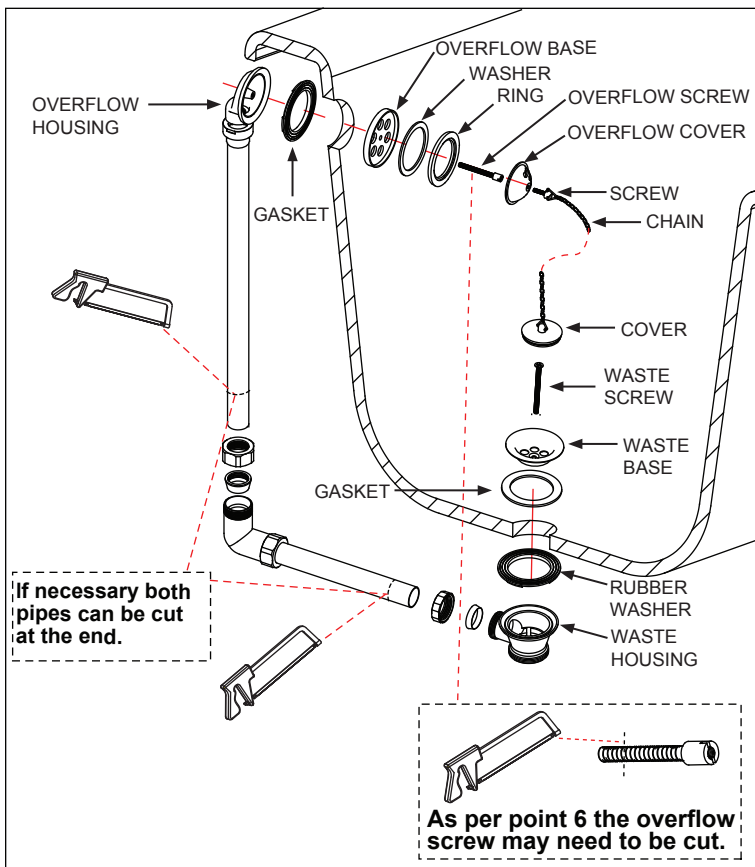
INSTALLATION INSTRUCTIONS

External bath overflow, plug & chain W4/W5/CW4/CW5

Important

- We recommend that this product is installed by a qualified professional contractor. Such as a plumber who is certified by NVQ (National Vocational Qualification) or SNVQ (Scottish National Vocational Qualification) Level 3.
- Please check this product immediately to ensure that it has not been damaged and is complete. Before installation, please make sure this product is the correct model and you have all the parts required for installation and using.
- Please flush the water system to ensure that no metal swarf, solder, and other impurities can enter the products.
- Turn off water supply before commencing work, this should be done at the isolating valves of inlet feeds if fitted or main stopcock.
- Please read these instructions carefully and keep it for future reference.

⚠ Do NOT overtighten the waste as this may cause long term damage to the bath. We recommend to use a torque wrench to tighten the waste by using a torque force between 25 Nm and 50Nm.



Installation

1. Remove the screw from waste part.
2. Put the waste base and gasket into the bottom waste hole of bath. Place the rubber washer and waste housing onto the waste from the backside of bath in sequence.
3. Tighten all the above elements together with the waste screw.
4. Take off the screw from the overflow part.
5. Put the gasket into overflow housing. Then hold this unit in position from the backside of the bath.
6. The overflow screw supplied is 58mm in length and is made from brass, and depending on the bath overflow thickness this may need to be cut down.
7. Place the following items onto the overflow housing in sequence: overflow cover, ring, washer and overflow base.
8. Tighten all the items together with the overflow screw. Note: Do not over tighten for W4/W5, otherwise it may break the ceramic ring. Depending on the brand that the customer has chosen, you may need to fit the alternate ceramic overflow ring supplied.

Maintenance

We do NOT recommend you use any household cleaners to clean the product. Because these cleaners change substance or formula too frequently. The product should be always cleaned only with soapy water and rinsed with clean water and dried with a soft cloth.