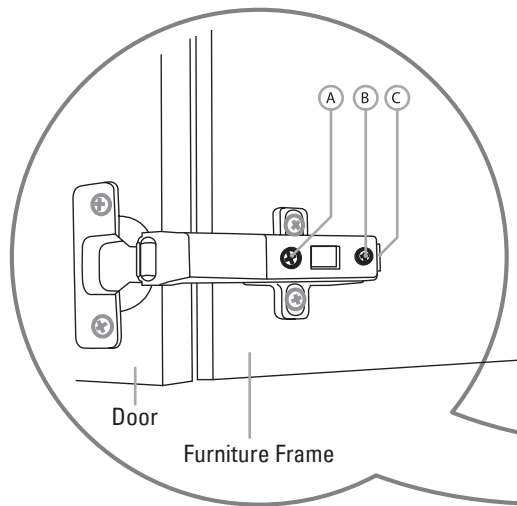
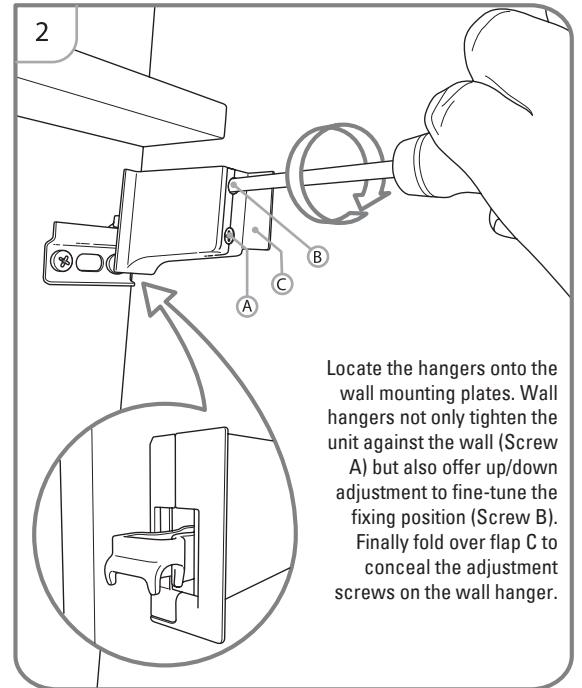
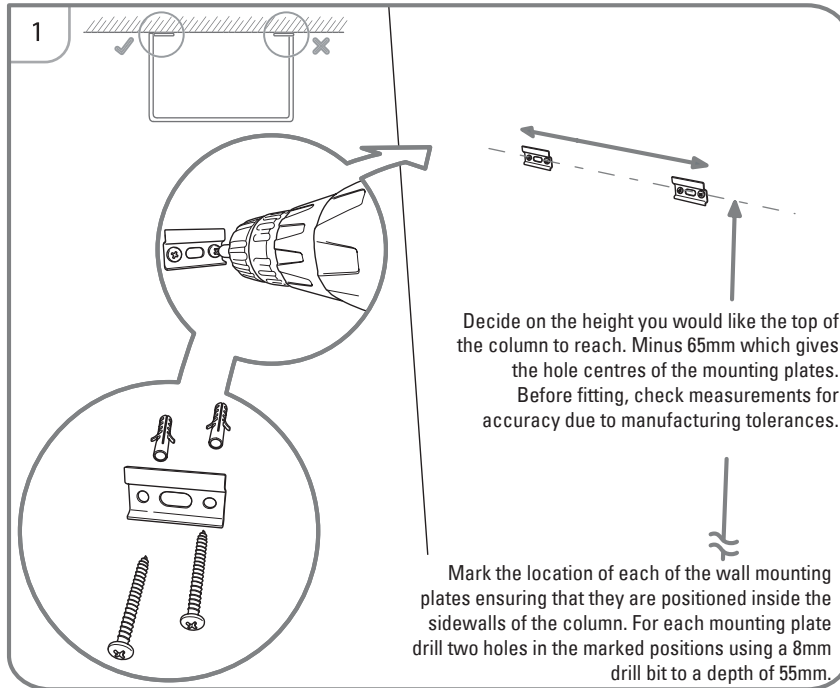


**Before You Start**

It is recommended that the unit and basin are secured to a suitably reinforced wall to ensure stability. The wall plugs supplied are only suitable for solid stone/brick walls. For plasterboard walls use specialist wall plugs along with supplementary wall strengthening as units can be very heavy. Seek advice from a specialist about the suitability of fixings to be used.

Wear suitable eye protection when drilling. Take care when using power tools near water - the use of a residual current device (RCD) is recommended. Beware of hidden pipes or cables. Take care when drilling tiled surfaces as the drill might slip. Use a piece of masking tape to prevent the drill from wandering.

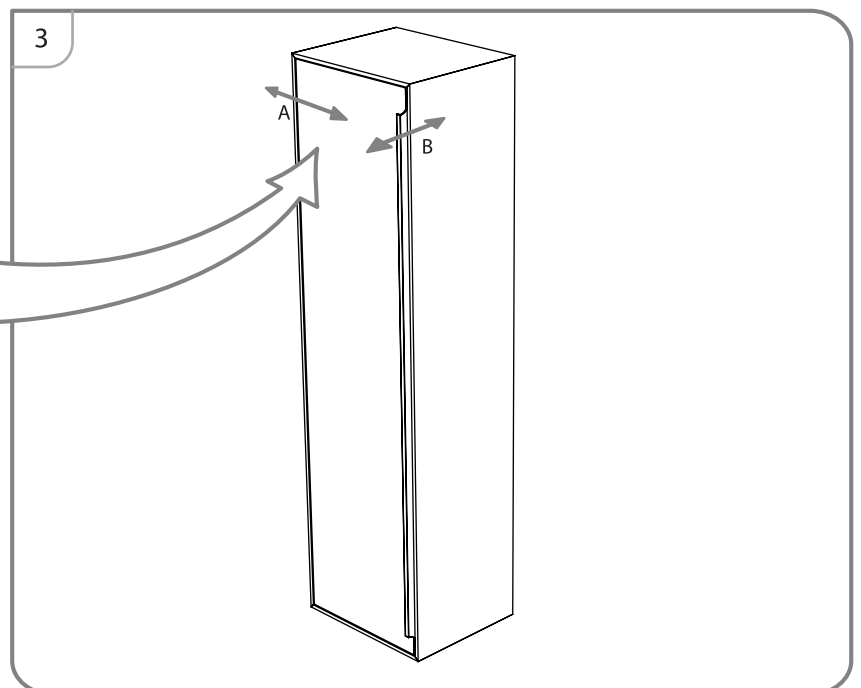


**Door Adjustment**

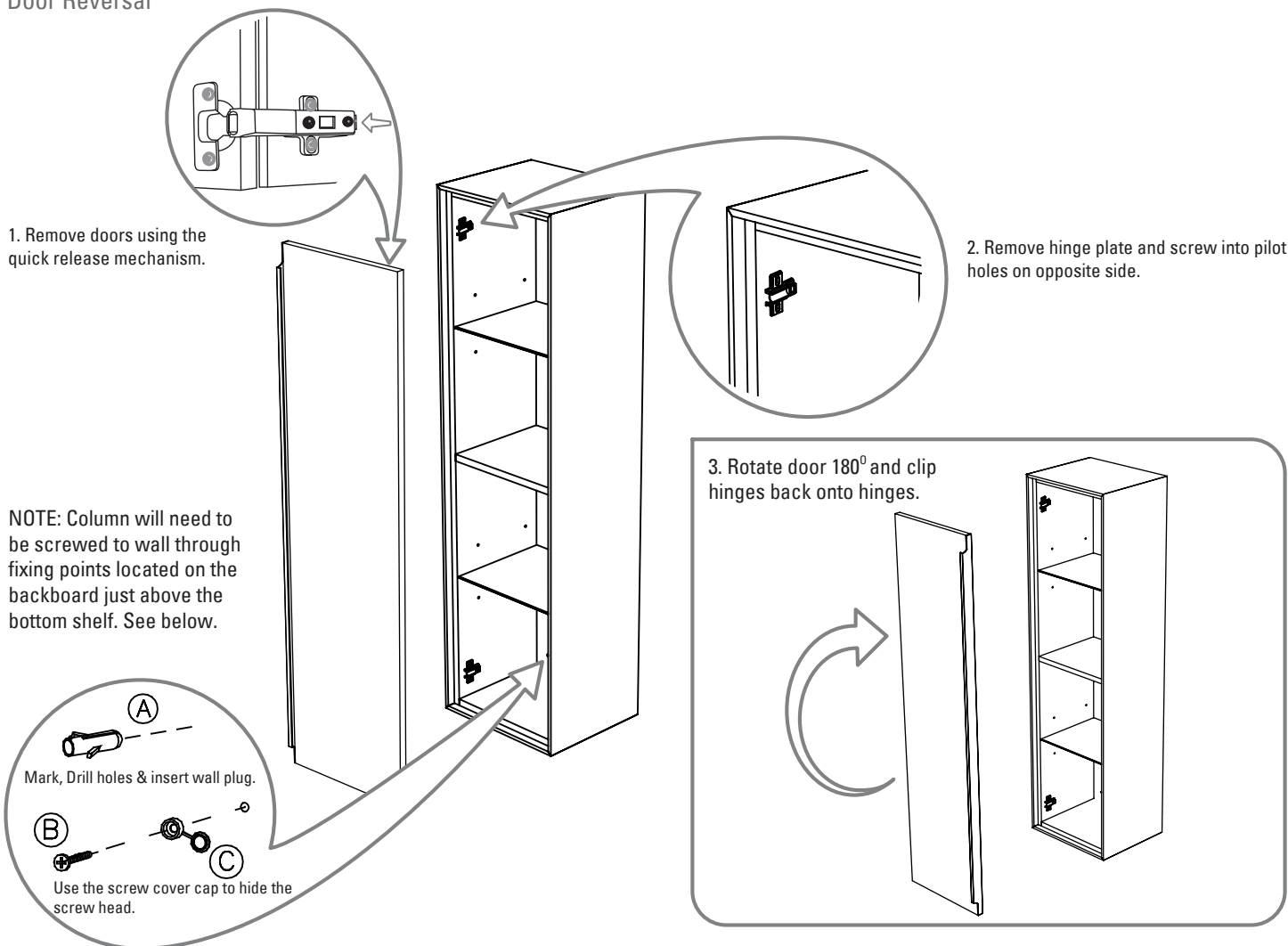
Screw A offers left/right adjustment for levelling up the door. (See Fig.3).

Screw B offers forward/back adjustment (See Fig.3).

Button C is the quick release, press this on both hinges to remove a door by releasing the hinges from their mounting plates.



### Door Reversal



### Glass Shelves

**Glass Warnings:** Do not strike glass components with hard or pointed items. Do not place very hot or very cold items against or in close proximity to glass surfaces unless an adequately thick insulation material is used to prevent such items coming in contact with the glass. Nominal thickness of cabinet glass shelf is 3mm and shelves are tempered for safety. Never overload glass shelves. The maximum safe evenly distributed load for cabinet glass shelves is 3kg.

If a glass component becomes chipped or broken, replace immediately. For details on replacement glass, contact Roper Rhodes customer services at the address stated on these instructions. Always use the shelf supports as supplied with the unit.

### Furniture Aftercare Instructions

As with all wooden furniture, this product should be treated with care.

#### We recommend...

- Wipe away any water splashes or condensation after use. Excessive exposure to water will deteriorate the furniture.
- All bathrooms should be well ventilated with a suitable extractor fan.
- Clean with a soft damp cloth only.
- Use a wax free polish if one must be used.
- For removal of lime scale deposits use a suitable proprietary cleaner. If necessary test on an inconspicuous area first.

#### Please DO NOT...

- Do not scrub or scour
- Do not use abrasive cleaning agents

### Replacement Components

Should you require any replacement components for this product please contact Roper Rhodes using the contact details below.