

## **AFTERCARE INSTRUCTIONS**

Your fitting has a high quality finish and should be treated with care to preserve the visible surfaces.

All surface finishes will wear if not cleaned correctly, the only safe way to clean your mixer is to wipe with a soft damp cloth. Stains can be removed using washing up liquid. All bath cleaning powders and liquids will damage the surface of your fitting, even the non-scratch cleaners. **NOTE: Never use abrasive detergents or disinfectants or those containing alcohol, hydrochloric acid or phosphoric acid.**

Bristan recommend E-Cloth for cleaning all of our bathroom & kitchen products. Using just water, E-cloth gives a smear free, deep clean by breaking up and holding dirt, which normal cloths leave behind. Order through your Bristan stockist. (ORDER CODE: ECLOTH)



## **GUARANTEE**

All products are manufactured to the highest standards and a 5 year guarantee covers any defect in manufacture.

**NOTE: The 5-year guarantee on the cartridge is invalidated if damaged by any waterborne debris.**

**All products must have access for servicing or replacement during the life of the product.**

In the interests of continuous product development we reserve the right to alter specification as necessary

## **PRODUCT CODE:**

**PRODUCT IDENTIFICATION CODE LASER ETCHED ON PRODUCT**

Installer please fill in code here \_\_\_\_\_.(Where applicable)

TELEPHONE HELPLINE! +44 (0)844 701 6273

Bristan Group Limited  
Birch Coppice Business Park  
Dordon  
Tamworth  
Staffordshire  
B78 1SG  
UK

A Masco Company  
Website: [www.bristan.com](http://www.bristan.com)  
Telephone: +44 (0) 844 701 6274  
Facsimile: +44 (0) 844 701 6275

(FI HIGH NECK)

(Rev.D3)

# BRISTAN

## High Neck Taps

## Fitting Instructions



Before starting any installation project, consider 'safety' first. Look for the 'safety note' and read the safety advice.

**Please keep these instructions for future reference and request of replacement part**

## **WATER PRESSURE**

These taps are suitable for use at all supply pressures.

### **Operating Pressures: Min 0.2 bar, Max 7.0**

If the taps are installed at low pressure (tank fed), then the minimum height from the outlet of the nozzle to the underside of the cold tank should be approximately 2 metres to ensure adequate performance.

These taps should be installed in compliance with Water Regulations. For further details contact your Local Water Authority.

## **IMPORTANT - PLEASE READ**

**This fitting needs to be installed in accordance with the following Installation Requirements and Notes (IRN) to ensure they meet the requirements of the Water Supply (Water Fittings) Regulations 1999 and the Scottish Byelaws 2004.**

### **IRN R001**

See text of entry for Installation Requirements or Notes.

### **IRN R006**

This tap or combination tap assembly has a Type AUK3 air gap and is therefore for installation in any premises to protect against a backflow risk up to a Fluid Category 5.

## **INSTALLATION**

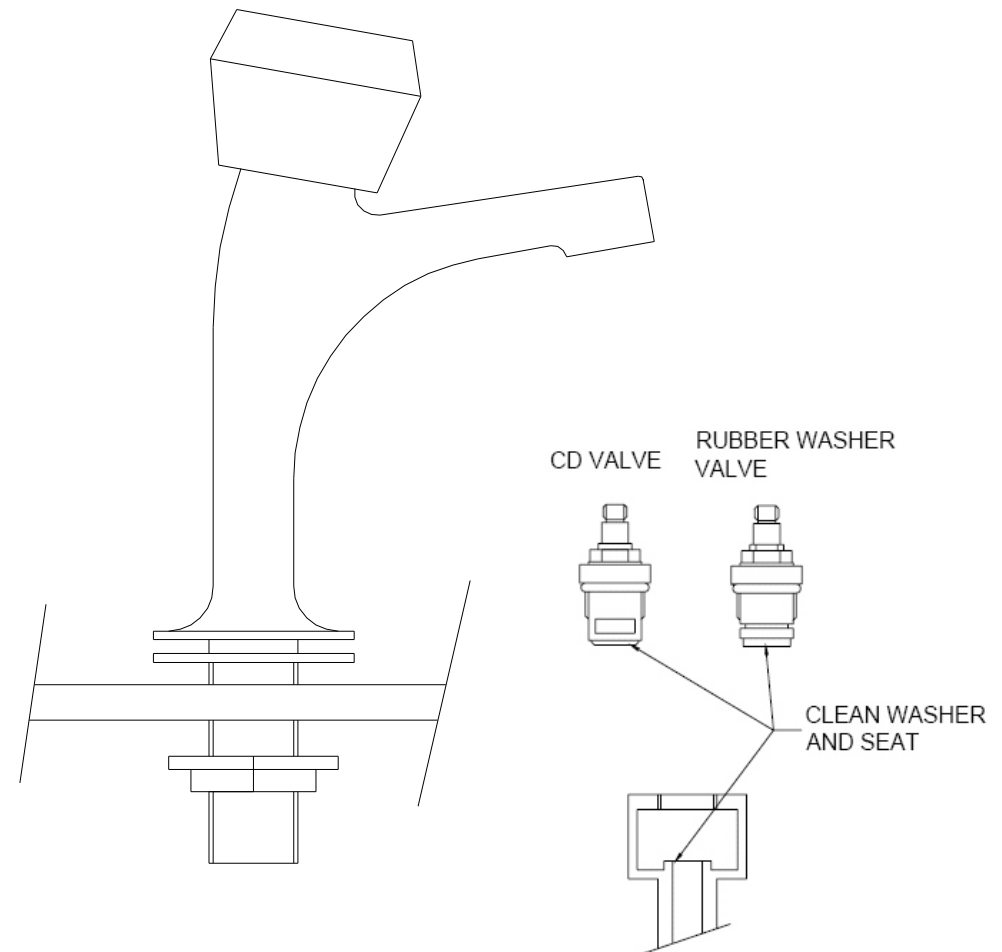
1. Identify all components and check for completeness, particularly before commencing installations.
2. Install the taps into the basin, bath or sink, using the washers and backnuts provided. For those products using handles purchased separately, it may be necessary to disassemble the handles
3. Connect the hot and cold water supplies.
4. Turn on the water supplies. Open both taps letting the water flow for a few minutes to check all joints and connections for leaks.
5. See back page for aftercare instructions.

## **MAINTENANCE**

**All valve types:** - If the fitting begins to drip

1. Turn off the water supply.
2. Remove fitting head and valve.
3. Carefully clean seating and rubber washer.
4. Replace valve and turn on the water supply.
5. Contact our helpline quoting product code if problem persists.

**\* PLEASE NOTE: TAP HEADS SHOWN ARE FOR ILLUSTRATION PURPOSES ONLY.**



**Please Note:** In the unlikely event you find a part missing please contact our Customer Service Help line on **0844 701 6273** for immediate dispatch of part.