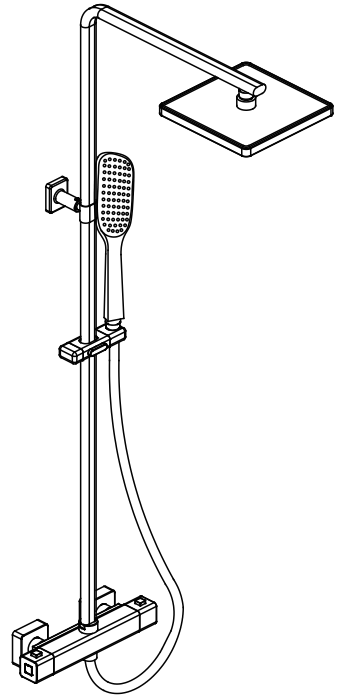


### Square exposed thermostatic shower valve with kit including slide rail, arm, fixed 20cm square shower head, flexible 1 function handset and hose

## - V56



#### Important

- We recommend that this product is installed by a qualified professional plumber who is certified by NVQ (National Vocational Qualification) or SNVQ (Scottish National Vocational Qualification) Level 3.
- Please check this product upon delivery to ensure that it has not been damaged and is complete.
- Before installation, please make sure this product is the correct model and you have all the parts required for installation and use.
- If possible the shower kit should be supplied with hot and cold water at balanced pressure.
- It is important to flush the water system to ensure that no swarf, solder, or any other impurity or foreign body can enter the shower kit.
- Turn off the water supply before commencing work, this should be done at the isolating valves or inlet feeds if fitted, or otherwise at the main stopcock.
- Please read these instructions carefully and keep them for future reference.
- The recommended minimum operating water pressure for this valve is 1.0 bar.

#### Warning!

Please check for any hidden pipes or cables before drilling holes in the wall.  
When using power tools always follow the manufacturers user instructions.

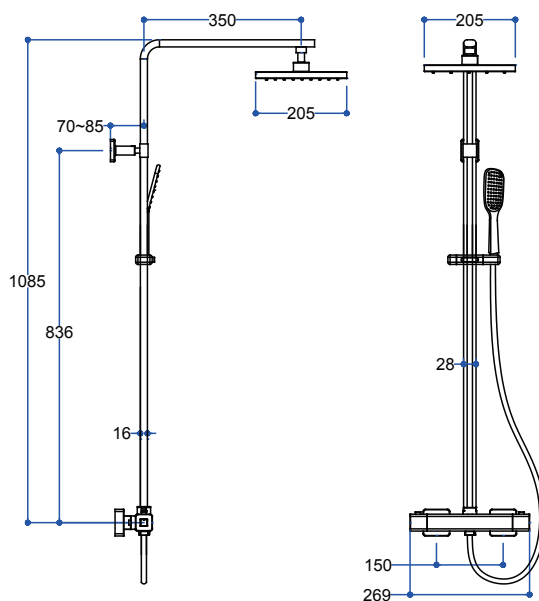
#### Cleaning

We do NOT recommend you use any household cleaners to clean the product. Because these cleaners change substance or formula too frequently. So product should be always cleaned only with soapy water and rinsing with clean water and drying with soft cloth.

#### Tools and equipment needed

Drill, 6mm Masonry drill bit, Philips screwdriver, Spirit level, Pencil, Tape measure.

#### Dimension



## Parts supplied:

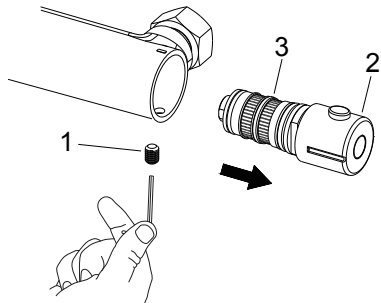
	1	Curved arm	1x	9	S-connectors	2x
	2	Fixing Screw	4x	10	Wall cover	2x
	3	Plug	1x	11	Rubber gasket with filter	2x
	4	Wall bracket	1x	12	Mixer	1x
	5	Screw	1x	13	Rubber gasket	3x
	6	Slider	1x	14	Shower head	1x
	7	Riser tube	1x	15	Handshower	1x
	8	Rubber gasket	1x	16	Hose	1x

## Installation

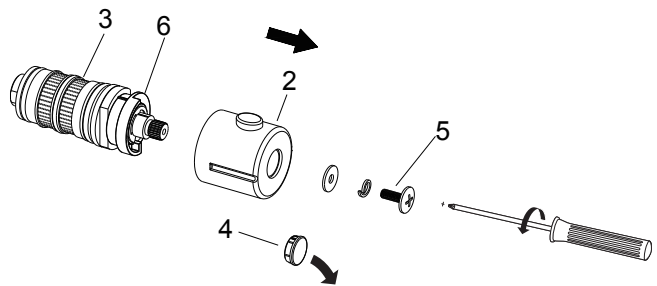
<p>836mm</p> <p>150</p>				
<p>Drill one hole about 836 mm above the inlet holes on the wall. Mount the two S-connectors into the two water inlet holes.</p>	<p>Insert the plugs into the wall, fix the wall bracket with the screw on the wall, and mount the mixer on the wall.</p>	<p>Assemble the slider, riser tube and curved arm. Adjust the connecting sleeve to the suitable position, and fix the curved arm and connecting sleeve by screw.</p>	<p>Screw the nut and rubber gasket onto the mixer, and fix the connecting sleeve with the wall bracket by fixing screw.</p>	<p>Fix the shower head, handshower and hose.</p>

## Thermostatic Cartridge Change for V55/V56

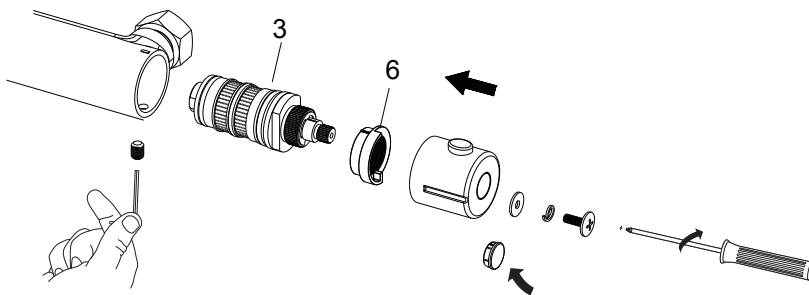
1. Unscrew the hex with the hex wrench(1), pull out the cartridge(3) with the handle(2).



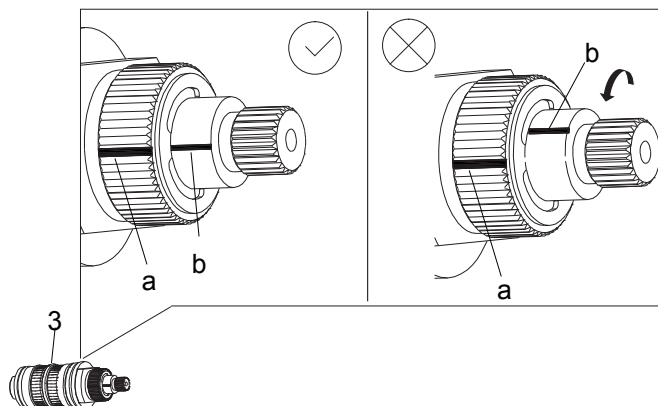
2. Uncover the end cap(4), unscrew the screw(5) with a screw driver and separate the handle(2) and cartridge(3), pull the stop ring(6) down from the cartridge(3).



3. Assemble the cartridge(3) back to the valve body, tighten by screwing the hex with the hex wrench, put the stop ring(6) back to the cartridge(3) and fix the handle by screwing the screw.



Caution 1: Only when the two black lines marked (a) and (b) are on a line can the temperature be  $38 \pm 2$  C.



Caution 2: The black line on the stop ring (d) and the etching on handle(e) and the etching on valve body(c) should be on a line when putting the stop ring back to the cartridge.

